

# TOSHIBA

TOSHIBA Barcode Printer

## BX400 SERIES

### Parts List

Document No. EO8-33041E

Original **Aug., 2024**  
(Revised Apr., 2025)

Minimum Order Quantity (MOQ) column has been added to this Parts List.  
Please order the MOQ or the multiples of the MOQ per order .  
Regarding the parts with two asterisks (\*\*) entered in this column, over 4-month lead time may be required because a quotation of the unit price and the MOQ is requested at the receipt of order.

**Toshiba Tec Corporation**

PRINTED IN JAPAN

## TABLE OF CONTENTS

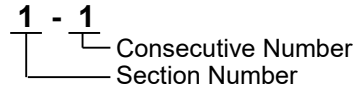
| <b>PARTS LIST</b>  | <b>Page</b> |
|--|-------------|
| 1. EXTERIOR PARTS  | 1-1         |
| 2. INTERIOR PARTS (1)  | 2-1         |
| 3. INTERIOR PARTS (2-1)  | 3-1         |
| 3. INTERIOR PARTS (2-2)  | 3-3         |
| 4. INTERIOR PARTS (3)  | 4-1         |
| 5. Disc cutter module (BX204-QM-S / BX204-S)                       | 5-1         |
| 6. Rotary cutter module (BX204-R-QM-S / BX204-R-S)                 | 6-1         |
| 7. Care label cutter module (BX204-C-QM-S)                         | 7-1         |
| 8. Peel off module (BX904-H-QM-S / BX904-H-S)                      | 8-1         |
| 9. High Precision Peel-Off module (BX904-HH-QM-S / BX904-HH-S)     | 9-1         |
| 10. Ribbon Save Kit (B-EX904-R-QM-S)                               | 10-1        |
| 11. RFID module (BX704-RFID-U4 Series)                             | 11-1        |
| 12. RFID module (BX704-RFID-H3 Series)                             | 12-1        |
| 13. RTC (BX704-RTC-QM-S)   | 13-1        |
| 14. Wireless Communication module (BX700-WLBT-QM-S / BX700-WLBT-S) | 14-1        |
| 15. Serial Interface Board (B-EX700-RS-QM-R)                       | 15-1        |
| 16. Expansion I/O Interface Board (BX700-IO-QM-S / BX700-IO-S)     | 16-1        |
| 30. OPTIONS  | 30-1        |

### **CAUTION!**

- 1. This manual may not be copied in whole or in part without prior written permission of Toshiba Tec Corporation.*
- 2. The contents of this manual may be changed without notification.*
- 3. Please refer to your local Authorised Service representative with regard to any queries you may have in this manual.*

## HOW TO USE THIS PARTS LIST

- 1) Indication of Ref. No.



| Section No. | Section Name     |
|-------------|------------------|
| 1 to 29     | MECHANICAL PARTS |
| 30 to 49    | OPTIONAL PARTS   |

- 2) Remarks column indicates the following information:

- (1) Interchangeability of parts
- (2) Accessory
- (3) Service part
- (4) Date when the parts are added/deleted/changed
- (5) Minimum order

- 3) The columns from A through I indicate the quantity/unit for each model.  
The letters A to I represent the model names which are described in the foot note.

- 4) The recommended parts column indicates the recommendation of parts stock.

|               | Q'ty/100 Units |
|---------------|----------------|
| Class A ----- | 10             |
| Class B ----- | 7              |
| Class C ----- | 5              |
| Class D ----- | 3              |
| Class E ----- | 1              |

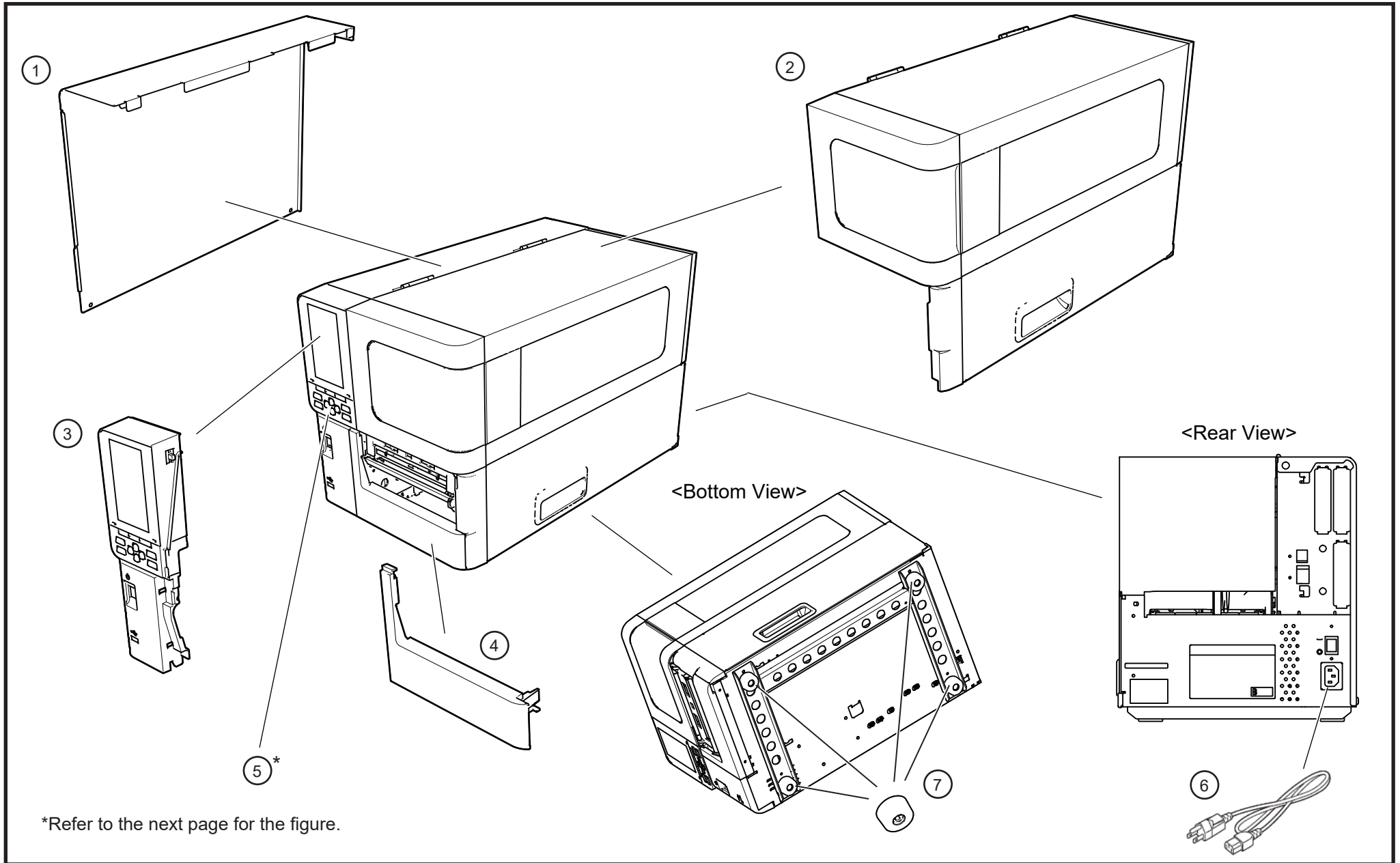
- 5) Miscellaneous parts (screws, washers, etc.) shall be ordered in minimum lots of 100.  
6) As a rule, parts not listed in this parts list cannot be ordered and we will not be responsible for problems concerning these parts.

**NOTES:**

1. *The parts shown in this list may be modified by Toshiba Tec together with issuing the parts information, if necessary.*
2. *The illustrations in this parts list are provided for reference and may be different from the actual parts in shape.*
3. *Parts with no Ref. No. and quantity are interchangeable parts.*
4. *For the underlined assembly parts, the components are available separately.*
5. *Excepting the electronic parts, "-----" in the Part No. cell in place of a part number means that the part is an optional equipment and should be ordered from the Sales Department.*

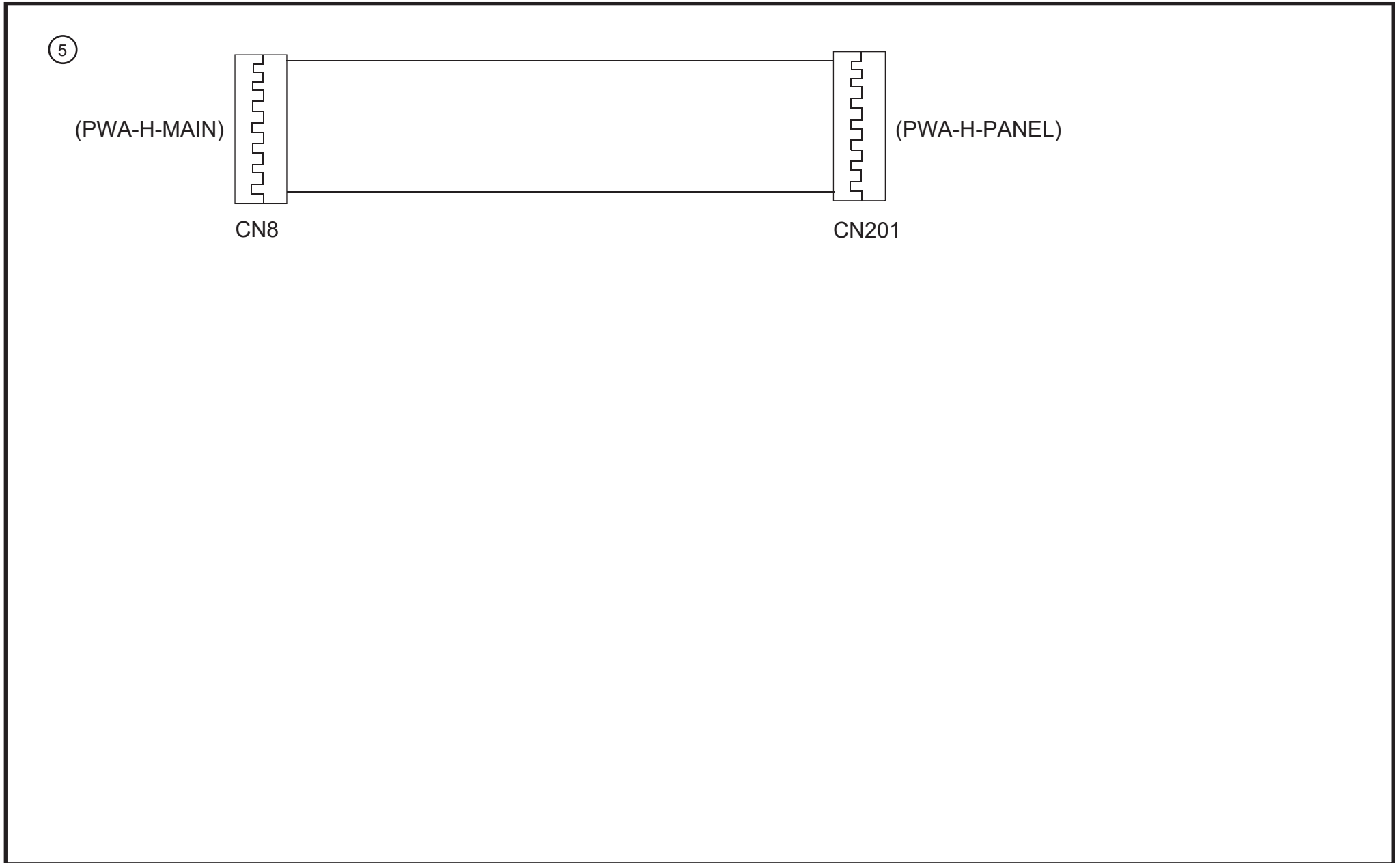
# 1. EXTERIOR PARTS

EO8-33041  
BX400 Series Aug., 2024



# 1. EXTERIOR PARTS

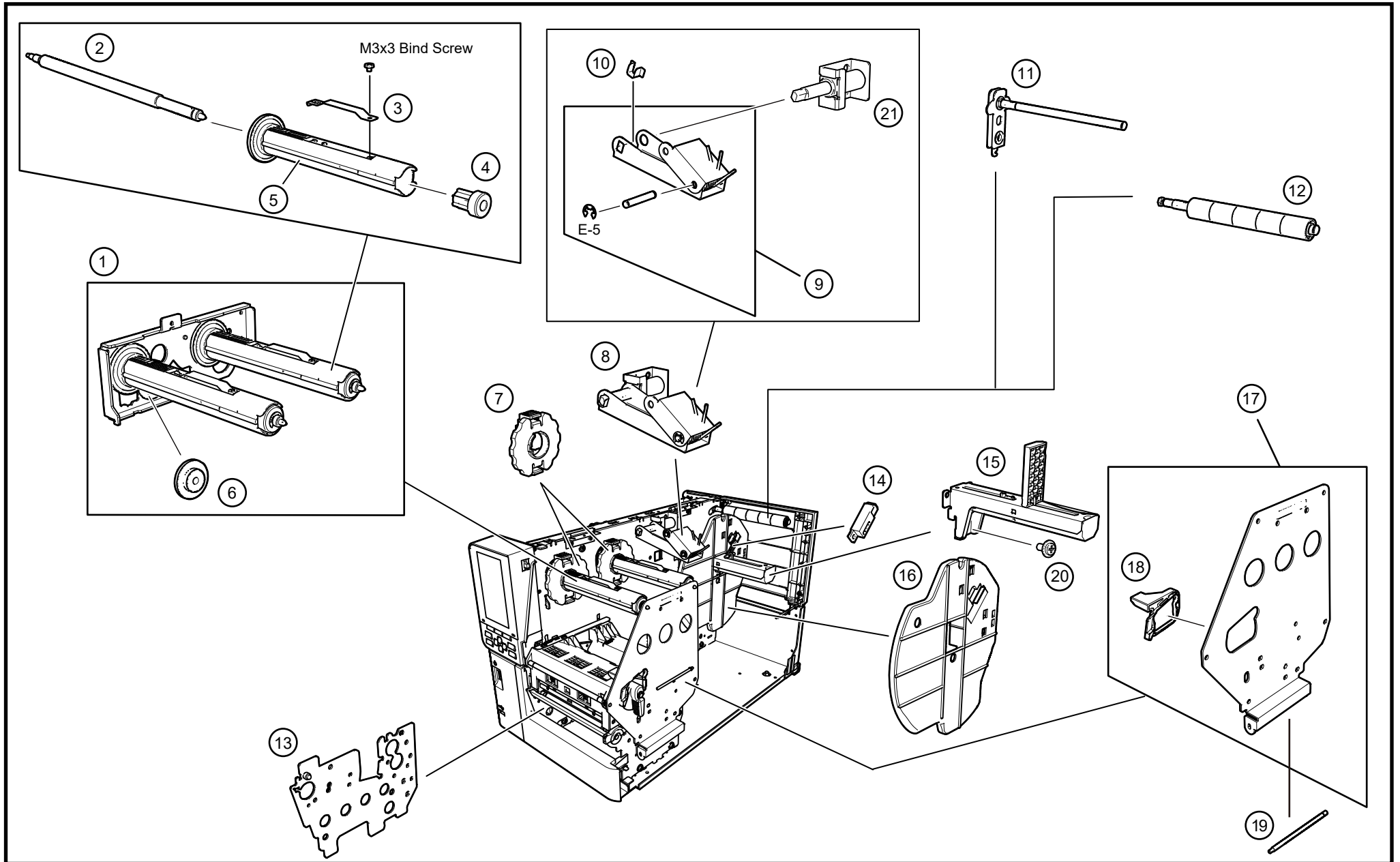
EO8-33041  
BX400 Series Aug., 2024





## 2. INTERIOR PARTS (1)

EO8-33041  
BX400 Series Aug., 2024



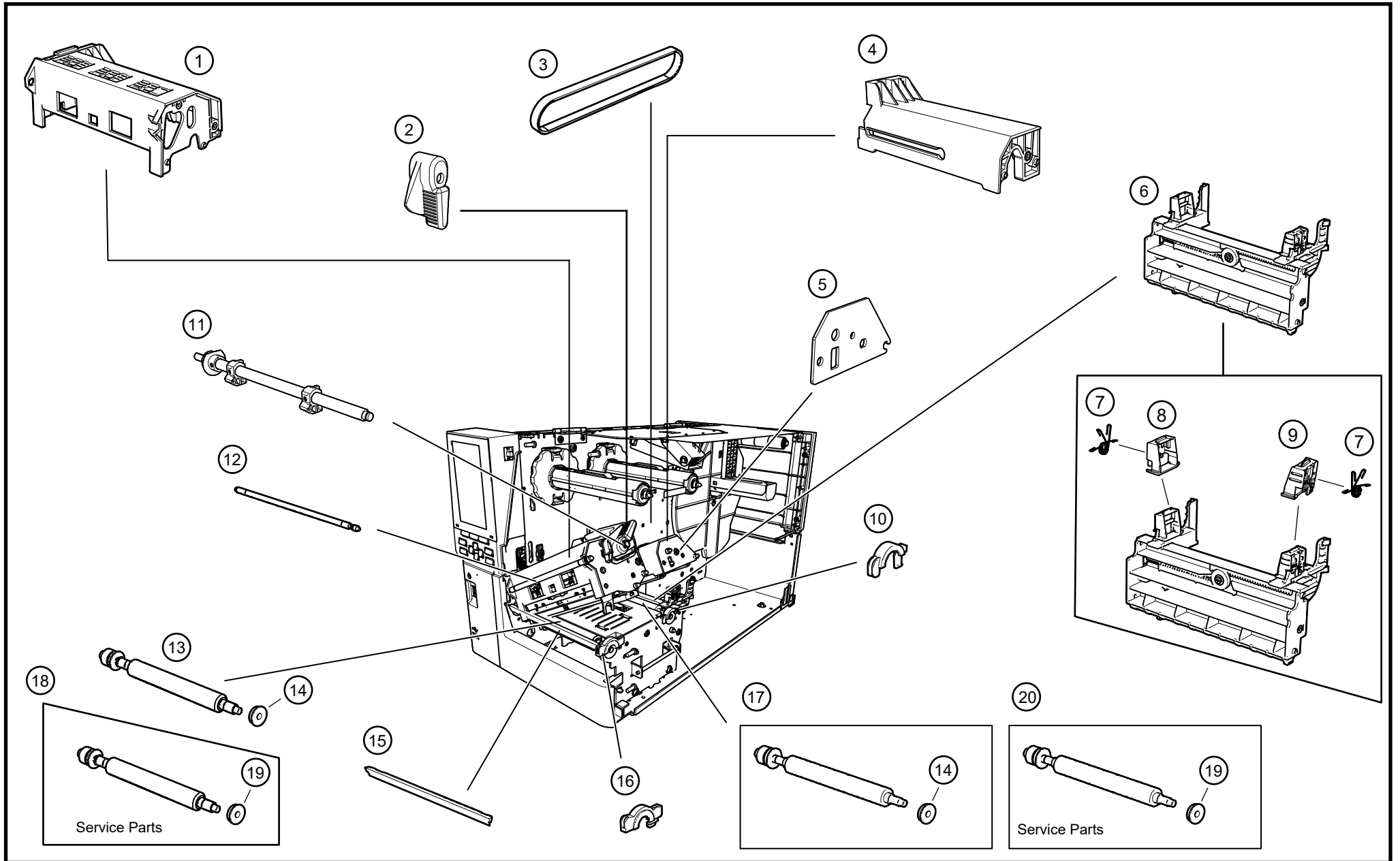
## 2. INTERIOR PARTS (1)

E08-33041  
 BX400 Series Aug., 2024  
 Revised: Mar., 2025

| Ref. No. | Part No.              | Description               | Remarks           | MOQ | A | B | C | D | E | F | G | H | J | K | L | M | N | O | P | Recommended Parts |
|----------|-----------------------|---------------------------|-------------------|-----|---|---|---|---|---|---|---|---|---|---|---|---|---|---|---|-------------------|
| 2-1      | 6LB63291000           | ASYB-RBN-CORE-BX400-FRU   |                   | 1   | 1 | 1 | 1 | 1 | 1 | 1 | 1 | 1 | 1 | 1 | 1 | 1 | 0 | 1 | 1 |                   |
| 2-2      | 6LB63165000           | SHAFT-RBN-DRIVE-BX-FRU    |                   | 1   | 2 | 2 | 2 | 2 | 2 | 2 | 2 | 2 | 2 | 2 | 2 | 2 | 0 | 2 | 2 |                   |
| 2-3      | 6LB63164000           | SPL-STOPPER-RBN-BX-FRU    |                   | 1   | 2 | 2 | 2 | 2 | 2 | 2 | 2 | 2 | 2 | 2 | 2 | 2 | 0 | 2 | 2 |                   |
| 2-4      | 6LB63241000           | BUSH-RBN-DRIVE-BX-FRU     |                   | 1   | 2 | 2 | 2 | 2 | 2 | 2 | 2 | 2 | 2 | 2 | 2 | 2 | 0 | 2 | 2 |                   |
| 2-5      | 6LB63166000           | ASYS-RBN-WDG-CORE-BX-FRU  |                   | 1   | 2 | 2 | 2 | 2 | 2 | 2 | 2 | 2 | 2 | 2 | 2 | 2 | 0 | 2 | 2 |                   |
| 2-6      | 6LB63358000           | RIBBON-WIND-IDLE-GEAR-FRU |                   | 1   | 1 | 1 | 1 | 1 | 1 | 1 | 1 | 1 | 1 | 1 | 1 | 1 | 0 | 1 | 1 |                   |
| 2-7      | 6LB63160000           | ASYB-RBN-FRANGE-BX400-FRU | For BX410/BX420   | 1   | 2 | 2 | 2 | 2 | 2 | 2 | 2 | 2 | 2 | 2 | 2 | 2 | 0 | 0 | 0 |                   |
|          | 6LB63161000           | ASYB-RBN-FRANGE-BX430-FRU | For BX430         | 1   | 0 | 0 | 0 | 0 | 0 | 0 | 0 | 0 | 0 | 0 | 0 | 0 | 0 | 2 | 2 |                   |
| 2-8      | 6LB63306000           | ASYB-DAMPER-COV-BX-FRU    |                   | 1   | 1 | 1 | 1 | 1 | 1 | 1 | 1 | 1 | 0 | 0 | 0 | 0 | 0 | 1 | 1 |                   |
| 2-9      | 6LB63300000           | ASYB-BX-DAMPER-LINK-FRU   |                   | 1   | 1 | 1 | 1 | 1 | 1 | 1 | 1 | 1 | 0 | 0 | 0 | 0 | 0 | 1 | 1 |                   |
| 2-10     | 6LB63359000           | DAMPER-SUPPORT-PLATE-FRU  |                   | 1   | 1 | 1 | 1 | 1 | 1 | 1 | 1 | 1 | 0 | 0 | 0 | 0 | 0 | 1 | 1 |                   |
| 2-11     | 7FM04968000           | PAPER-DAMPER-ARM-ASSY     |                   | 1   | 1 | 1 | 1 | 1 | 1 | 1 | 1 | 1 | 1 | 1 | 1 | 1 | 1 | 1 | 1 |                   |
| 2-12     | 6LB63243000           | ASYB-PAPER-DAMPER-BX-FRU  |                   | 1   | 1 | 1 | 1 | 1 | 1 | 1 | 1 | 1 | 1 | 1 | 1 | 1 | 1 | 1 | 1 |                   |
| 2-13     | 6LB63245000           | ASYS-FRAME-FEED-L-BX-FRU  |                   | 1   | 1 | 1 | 1 | 1 | 1 | 1 | 1 | 1 | 1 | 1 | 1 | 1 | 1 | 1 | 1 |                   |
| 2-14     | <del>C0-2403400</del> | PS126GL1                  |                   | 1   | 1 | 1 | 1 | 1 | 1 | 1 | 1 | 1 | 1 | 1 | 1 | 1 | 1 | 1 | 1 |                   |
|          | C0-24034000           |                           | Corrected: 3/25   |     |   |   |   |   |   |   |   |   |   |   |   |   |   |   |   |                   |
| 2-15     | 6LB63163000           | ASYB-PAPER-HLDR-BX-FRU    |                   | 1   | 1 | 1 | 1 | 1 | 1 | 1 | 1 | 1 | 1 | 1 | 1 | 1 | 1 | 1 | 1 | C                 |
| 2-16     | 6LB63162000           | SUPPLY-GUIDE-L-BX-FRU     |                   | 1   | 1 | 1 | 1 | 1 | 1 | 1 | 1 | 1 | 1 | 1 | 1 | 1 | 1 | 1 | 1 |                   |
| 2-17     | 6LB63167000           | ASYB-DRV-HLDR-BX410-FRU   | Except for BX420D | 1   | 1 | 1 | 1 | 1 | 1 | 1 | 1 | 1 | 1 | 1 | 1 | 1 | 0 | 1 | 1 |                   |
|          | 6LB63242000           | ASYB-DRV-HLDR-BX410-FRU   | For BX420D        | 1   | 0 | 0 | 0 | 0 | 0 | 0 | 0 | 0 | 0 | 0 | 0 | 0 | 1 | 0 | 0 |                   |
|          |                       | ASYB-DRV-HLDR-BX420D-FRU  | Corrected: 10/24  |     |   |   |   |   |   |   |   |   |   |   |   |   |   |   |   |                   |
| 2-18     | 7FM08422000           | EX4T1-LOCK-LEVER-GUIDE    |                   | 1   | 1 | 1 | 1 | 1 | 1 | 1 | 1 | 1 | 1 | 1 | 1 | 1 | 1 | 1 | 1 |                   |
| 2-19     | 6LB63244000           | SHAFT-DRV-HLDR-BX-FRU     |                   | 1   | 1 | 1 | 1 | 1 | 1 | 1 | 1 | 1 | 1 | 1 | 1 | 1 | 1 | 1 | 1 |                   |
| 2-20     | X06G0306134           | M3x6 FLANGE S TITE-ZC     |                   | 1   | 1 | 1 | 1 | 1 | 1 | 1 | 1 | 1 | 1 | 1 | 1 | 1 | 1 | 1 | 1 |                   |
| 2-21     | 6LB63290000           | ASYB-COV-DAMPER-AT-FRU    |                   | 1   | 1 | 1 | 1 | 1 | 1 | 1 | 1 | 1 | 1 | 1 | 1 | 1 | 0 | 1 | 1 |                   |

A: BX410T-GS02-QM-S B: BX410T-TS02-QM-S C: BX410T-GS02-CN-S D: BX410T-GS06-QM-S E: BX410T-GS06-CN-S F: BX410T-TS02-CN-S G: BX410T-TS06-QM-S H: BX410T-TS06-CN-S  
 J: BX420T-GS02-QM-S K: BX420T-TS02-QM-S L: BX420T-GS02-CN-S M: BX420T-TS02-CN-S N: BX420D-GS02-QM-S O: BX430T-HS02-QM-S P: BX430T-HS02-CN-S

# 3. INTERIOR PARTS (2-1)



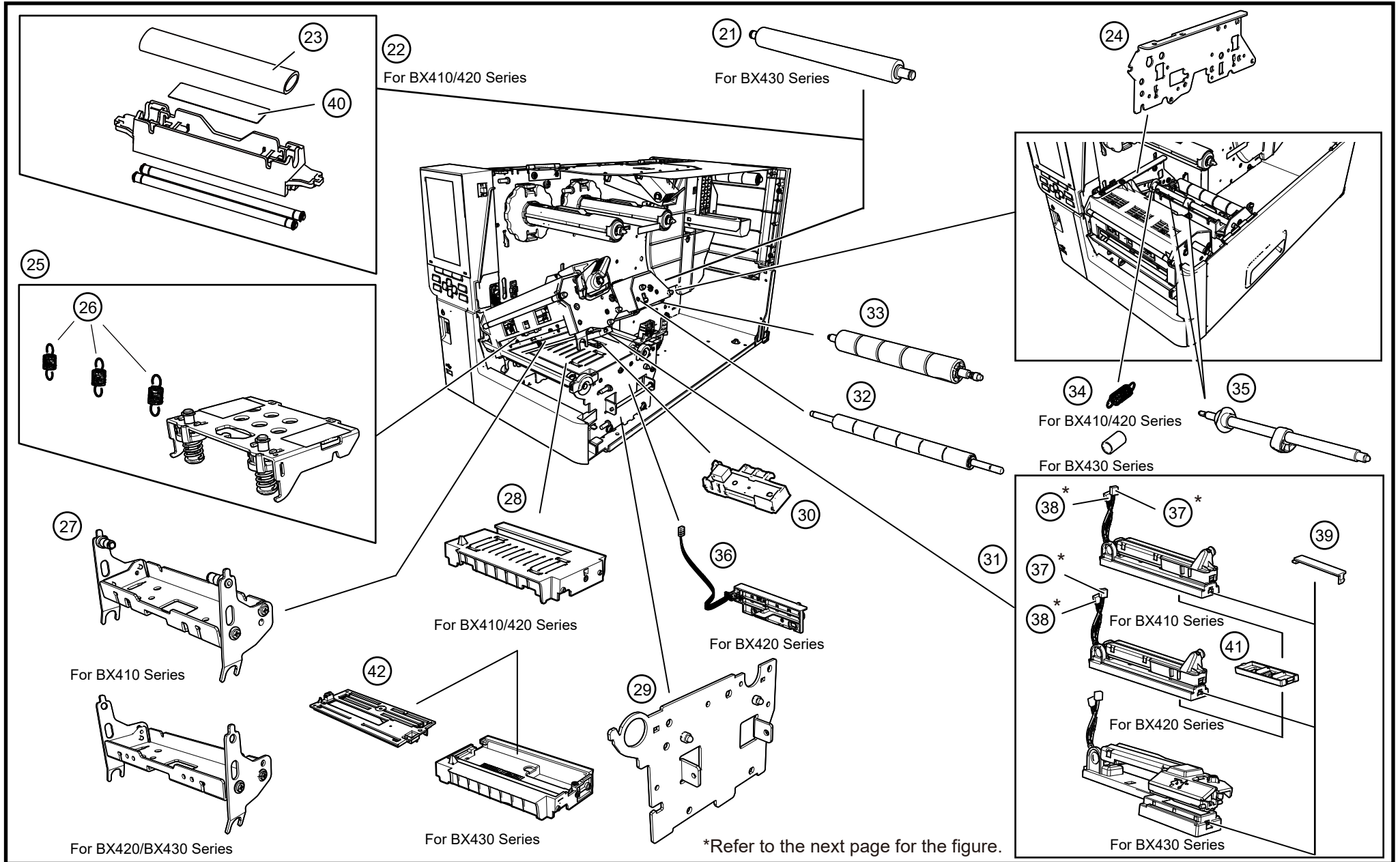
### 3. INTERIOR PARTS (2-1)

E08-33041  
 BX400 Series Aug., 2024  
 Revised: Apr., 2025

| Ref. No. | Part No.                   | Description                                | Remarks                   | MOQ | A | B | C | D | E | F | G | H | J | K | L | M | N | O | P | Recommended Parts |
|----------|----------------------------|--|---------------------------|-----|---|---|---|---|---|---|---|---|---|---|---|---|---|---|---|-------------------|
| 3-1      | 6LB63172000                | ASYS-COV-PRT-ENG-BX-FRU                    |                           | 1   | 1 | 1 | 1 | 1 | 1 | 1 | 1 | 1 | 1 | 1 | 1 | 1 | 1 | 1 | 1 |                   |
| 3-2      | 7FM00144000<br>6LB63547000 | Print Head Lever<br>LEVER-HEAD-LOCK-SX-FRU | Changed: 10/24            | 1   | 1 | 1 | 1 | 1 | 1 | 1 | 1 | 1 | 1 | 1 | 1 | 1 | 1 | 1 | 1 |                   |
| 3-3      | 6LB63248000                | BELT-PNCH-RLR-BX410-FRU                    | For BX410/BX430           | 1   | 1 | 1 | 1 | 1 | 1 | 1 | 1 | 1 | 0 | 0 | 0 | 0 | 0 | 1 | 1 |                   |
|          | 6LB63249000                | BELT-PNCH-RLR-BX420-FRU                    | For BX420                 | 1   | 0 | 0 | 0 | 0 | 0 | 0 | 0 | 0 | 1 | 1 | 1 | 1 | 1 | 0 | 0 |                   |
| 3-4      | 6LB63180000                | ASYS-COV-PNCH-BX410-FRU                    | For BX410                 | 1   | 1 | 1 | 1 | 1 | 1 | 1 | 1 | 1 | 0 | 0 | 0 | 0 | 0 | 0 | 0 |                   |
|          | 6LB63181000                | ASYS-COV-PNCH-BX420-FRU                    | For BX420                 | 1   | 0 | 0 | 0 | 0 | 0 | 0 | 0 | 0 | 1 | 1 | 1 | 1 | 1 | 0 | 0 |                   |
| 3-5      | 6LB63260000                | PLT-COV-PNC-SID-BX410-FRU                  | For BX410                 | 1   | 1 | 1 | 1 | 1 | 1 | 1 | 1 | 1 | 0 | 0 | 0 | 0 | 0 | 0 | 0 |                   |
|          | 6LB63261000                | PLT-COV-PNC-SID-BX420-FRU                  | For BX420                 | 1   | 0 | 0 | 0 | 0 | 0 | 0 | 0 | 0 | 1 | 1 | 1 | 1 | 1 | 0 | 0 |                   |
|          | 6LB55436001                | ASYS-EX4T3-PT-CV-PNCH-SID                  | For BX430                 | 1   | 0 | 0 | 0 | 0 | 0 | 0 | 0 | 0 | 0 | 0 | 0 | 0 | 0 | 1 | 1 |                   |
| 3-6      | 6LB63174000                | ASYB-FEED-GUIDE-BX410-FRU                  | For BX410/BX430           | 1   | 1 | 1 | 1 | 1 | 1 | 1 | 1 | 1 | 0 | 0 | 0 | 0 | 0 | 1 | 1 | B                 |
|          | 6LB63175000                | ASYB-GUIDE-PWD-BX420-FRU                   | For BX420                 | 1   | 0 | 0 | 0 | 0 | 0 | 0 | 0 | 0 | 1 | 1 | 1 | 1 | 1 | 0 | 0 |                   |
| 3-7      | 6LB63254000                | SPG-GUIDE-SUPPORT-BX-FRU                   |                           | 1   | 2 | 2 | 2 | 2 | 2 | 2 | 2 | 2 | 2 | 2 | 2 | 2 | 2 | 2 | 2 |                   |
| 3-8      | 6LB63176000                | GUIDE-SUPPORT-L-BX-FRU                     |                           | 1   | 1 | 1 | 1 | 1 | 1 | 1 | 1 | 1 | 1 | 1 | 1 | 1 | 1 | 1 | 1 |                   |
| 3-9      | 6LB63177000                | GUIDE-SUPPORT-R-BX-FRU                     |                           | 1   | 1 | 1 | 1 | 1 | 1 | 1 | 1 | 1 | 1 | 1 | 1 | 1 | 1 | 1 | 1 |                   |
| 3-10     | 7FM00055100                | Feed Roller Holder                         |                           | 1   | 1 | 1 | 1 | 1 | 1 | 1 | 1 | 1 | 0 | 0 | 0 | 0 | 0 | 0 | 0 |                   |
| 3-11     | 7FM08301000                | ASYS EX4T1 SF HEAD CAM BK FRU              |                           | 1   | 1 | 1 | 1 | 1 | 1 | 1 | 1 | 1 | 1 | 1 | 1 | 1 | 1 | 1 | 1 |                   |
| 3-12     | 6LB63246000                | SHAFT-RBN-GUIDE-BX-FRU                     |                           | 1   | 3 | 3 | 3 | 3 | 3 | 3 | 3 | 3 | 3 | 3 | 3 | 3 | 3 | 2 | 2 |                   |
|          | 6LB64784000                | ASYS-SFT-RBN-GID-420 (with spring pin)     | For BX420T<br>Added: 3/25 | 1   | 0 | 0 | 0 | 0 | 0 | 0 | 0 | 0 | 1 | 1 | 1 | 1 | 0 | 0 | 0 |                   |
|          | 6LB64803000                | ASYS-SFT-RBN-GID-420-FRU (with spring pin) | Corrected: 4/25           |     |   |   |   |   |   |   |   |   |   |   |   |   |   |   |   |                   |
| 3-13     | 7FM08165000                | PLATEN ROLLER FRU                          | 112mm                     | 1   | 1 | 1 | 1 | 1 | 1 | 1 | 1 | 1 | 1 | 1 | 1 | 1 | 1 | 0 | 0 | B                 |
|          | 7FM08166000                | PLATEN ROLLER W118                         | 118mm                     | 1   | 0 | 0 | 0 | 0 | 0 | 0 | 0 | 0 | 0 | 0 | 0 | 0 | 0 | 1 | 1 |                   |
| 3-14     | 6LB63247000                | BUSH-PLATEN-A-BX-FRU                       |                           | 1   | 2 | 2 | 2 | 2 | 2 | 2 | 2 | 2 | 2 | 2 | 2 | 2 | 2 | 2 | 2 |                   |
| 3-15     | 7FM04969000                | PEEL OFF BAR STRIP (with scale)            |                           | 1   | 1 | 1 | 1 | 0 | 0 | 1 | 0 | 0 | 1 | 1 | 1 | 1 | 1 | 1 | 1 |                   |
| 3-16     | 7FM00102000                | Platen Holder                              |                           | 1   | 1 | 1 | 1 | 1 | 1 | 1 | 1 | 1 | 0 | 0 | 0 | 0 | 0 | 0 | 0 |                   |
| 3-17     | 6LB63250000                | ASYB-RLR-CAPSTAN-BX-FRU                    | For BX410/BX420           | 1   | 1 | 1 | 1 | 1 | 1 | 1 | 1 | 1 | 1 | 1 | 1 | 1 | 1 | 0 | 0 | B                 |
|          | 7FM08298000                | PINCH ROLLER LOWER ASY T3                  | For BX430                 | 1   | 0 | 0 | 0 | 0 | 0 | 0 | 0 | 0 | 0 | 0 | 0 | 0 | 0 | 1 | 1 |                   |
| 3-18     | 7FM08156000                | ASYB-PLATEN-RLR-4T-BRG                     | 112mm (BRG)               | **  | - | - | - | - | - | - | - | - | - | - | - | - | - | - | - |                   |
|          | 7FM05008000                | PLATEN ROLLER W118                         | 118mm (BRG)               | **  | - | - | - | - | - | - | - | - | - | - | - | - | - | - | - |                   |
| 3-19     | F0-00905000                | Bearing RNR-1760X2ZZ                       |                           | **  | - | - | - | - | - | - | - | - | - | - | - | - | - | - | - |                   |
| 3-20     | 7FM08157000                | ASYB-PNCH-RLR-LOW-4T-BRG                   | For BX410/BX420 (BRG)     | **  | - | - | - | - | - | - | - | - | - | - | - | - | - | - | - |                   |
|          | 7FM08159000                | ASYB-PNCH-RLR-LOW-4T3-BRG                  | For BX430 (BRG)           | **  | - | - | - | - | - | - | - | - | - | - | - | - | - | - | - |                   |

A: BX410T-GS02-QM-S B: BX410T-TS02-QM-S C: BX410T-GS02-CN-S D: BX410T-GS06-QM-S E: BX410T-GS06-CN-S F: BX410T-TS02-CN-S G: BX410T-TS06-QM-S H: BX410T-TS06-CN-S  
 J: BX420T-GS02-QM-S K: BX420T-TS02-QM-S L: BX420T-GS02-CN-S M: BX420T-TS02-CN-S N: BX420D-GS02-QM-S O: BX430T-HS02-QM-S P: BX430T-HS02-CN-S

# 3. INTERIOR PARTS (2-2)



### 3. INTERIOR PARTS (2-2)

37



38

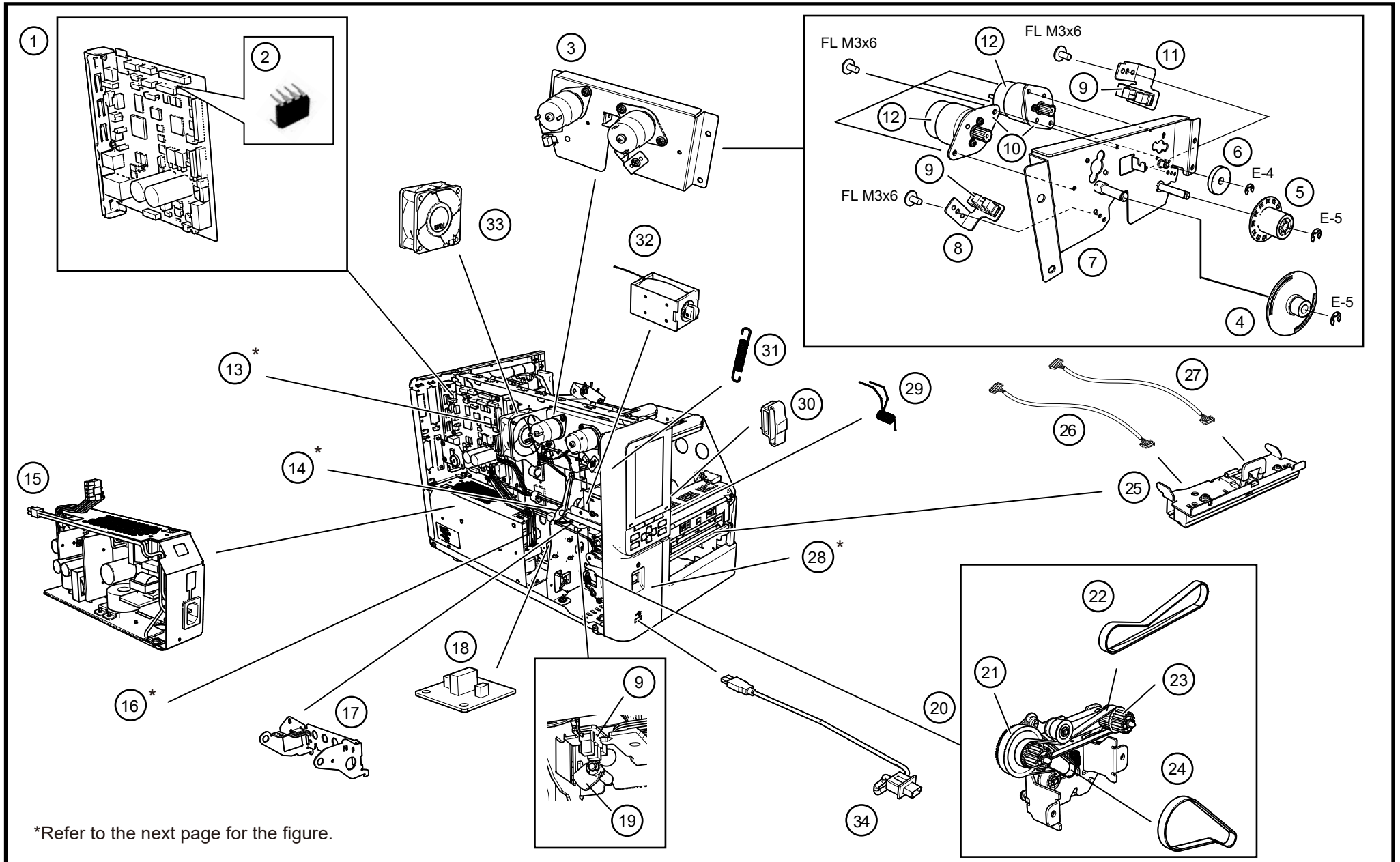


### 3. INTERIOR PARTS (2-2)

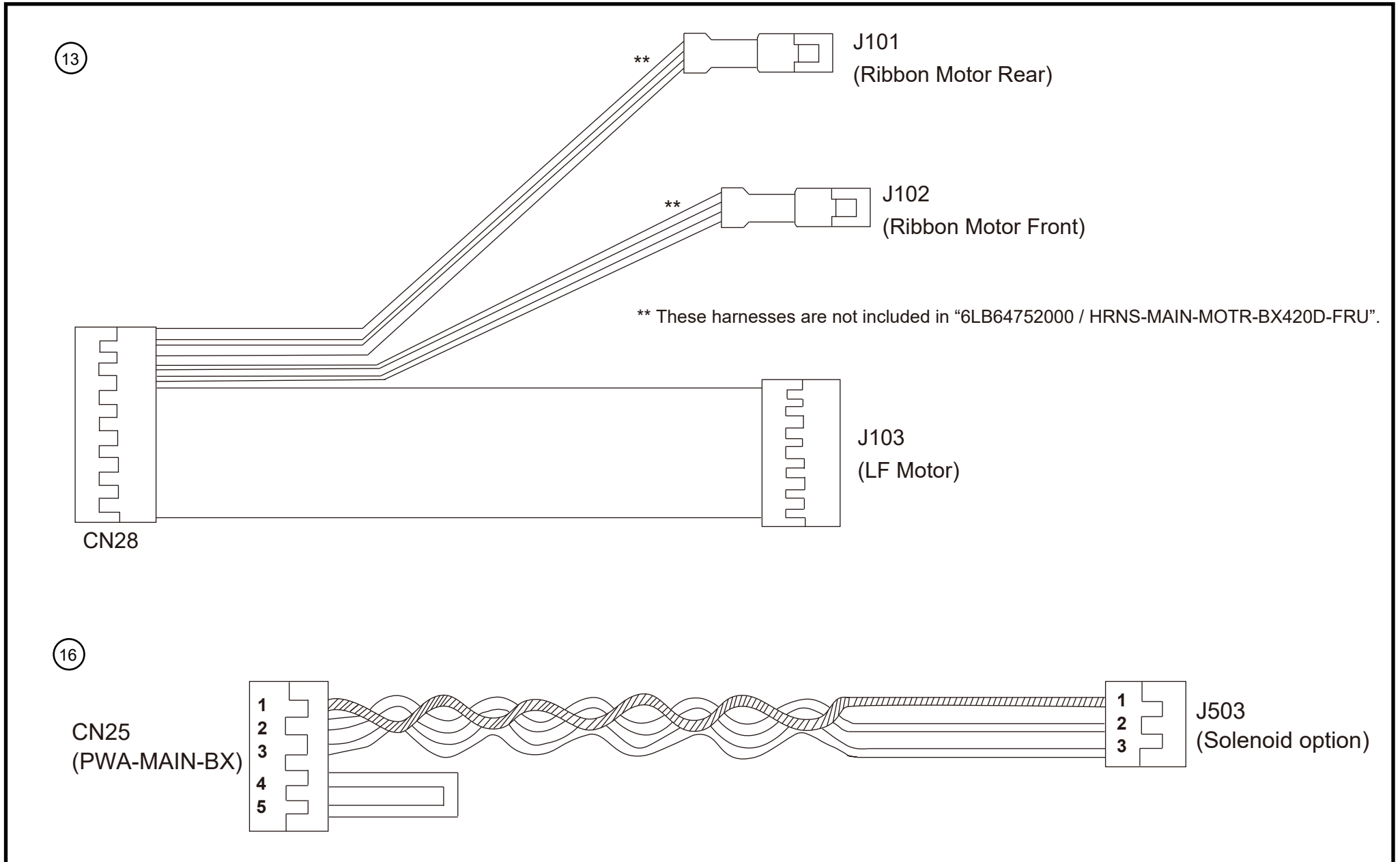
| Ref. No. | Part No.                                  | Description   | Remarks   | MOQ | A | B | C | D | E | F | G | H | J | K | L | M | N | O | P | Recommended Parts |   |
|----------|---|---|---|-----|---|---|---|---|---|---|---|---|---|---|---|---|---|---|---|-------------------|---|
| 3-21     | 7FM08141000                               | PINCH-ROLLER-UPPER-T3   | For BX430   | 1   | 0 | 0 | 0 | 0 | 0 | 0 | 0 | 0 | 0 | 0 | 0 | 0 | 0 | 1 | 1 | E                 |   |
| 3-22     | 7FM04853000<br>6LB62719000                | PINCH-ROLLER-UPPER-ASSY<br>ASYB-PNCH-RLR-UP-BX41-FRU                                | For BX410/BX420<br>Changed: 10/24   | 1   | 1 | 1 | 1 | 1 | 1 | 1 | 1 | 1 | 1 | 1 | 1 | 1 | 1 | 0 | 0 | E                 |   |
| 3-23     | 7FM07643000<br>6LB62720000                | PINCH-BELT-RLR-EX4T<br>PINCH-BELT-RLR-EX410-FRU                                     | For BX410/BX420<br>Changed: 10/24   | 1   | 1 | 1 | 1 | 1 | 1 | 1 | 1 | 1 | 1 | 1 | 1 | 1 | 1 | 0 | 0 |                   |   |
| 3-24     | 6LB63257000<br>6LB63256000<br>6LB63258000 | ASYB-FRAME-ENG-BX420-FRU<br>ASYB-FRAME-ENG-BX410-FRU<br>ASYB-FRAME-ENG-BX430-FRU    | For BX420<br>For BX410<br>For BX430   | 1   | 0 | 0 | 0 | 0 | 0 | 0 | 0 | 0 | 1 | 1 | 1 | 1 | 1 | 0 | 0 |                   |   |
| 3-25     | 6LB63262000<br>6LB63263000                | ASYB-PT-HEAD-BS-BX410-FRU<br>ASYB-PT-HEAD-BS-BX420-FRU<br>ASYB-PT-HEAD-BS-BX430-FRU | For BX420 (Without Sheet)<br>Corrected: 10/24<br>For BX410/BX430 (With Sheet) | 1   | 0 | 0 | 0 | 0 | 0 | 0 | 0 | 0 | 1 | 1 | 1 | 1 | 1 | 0 | 0 |                   |   |
| 3-26     | 6LB63264000                               | SPG-HEAD-UP-BX-FRU  |   | 1   | 3 | 3 | 3 | 3 | 3 | 3 | 3 | 3 | 3 | 3 | 3 | 3 | 3 | 3 | 3 |                   |   |
| 3-27     | 6LB63178000<br>6LB63179000                | ASYB-BASE-HEAD-BX410-FRU<br>ASYB-BASE-HEAD-BX420-FRU                                | For BX410<br>For BX420/BX430  | 1   | 1 | 1 | 1 | 1 | 1 | 1 | 1 | 1 | 0 | 0 | 0 | 0 | 0 | 0 | 0 |                   |   |
| 3-28     | 6LB63173000<br>6LB63526000                | ASYS-FEED-FRAME-BX400-FRU<br>ASYS-FEED-FRAME-BX430-FRU                              | For BX410/BX420<br>For BX430  | 1   | 1 | 1 | 1 | 1 | 1 | 1 | 1 | 1 | 1 | 1 | 1 | 1 | 1 | 0 | 0 |                   |   |
| 3-29     | 6LB63268000<br>6LB63269000                | ASYS-FEED-FRM-R-BX410-FRU<br>ASYS-FEED-FRM-R-BX420-FRU                              | For BX410<br>For BX420/430  | 1   | 1 | 1 | 1 | 1 | 1 | 1 | 1 | 1 | 0 | 0 | 0 | 0 | 0 | 0 | 0 |                   |   |
| 3-30     | 6LB63252000                               | ASYB-RIBN-END-SNSR-BX-FRU   | Corrected: 10/24  | 1   | 1 | 1 | 1 | 1 | 1 | 1 | 1 | 1 | 1 | 1 | 1 | 1 | 4 | 0 | 1 | 1                 | B |
| 3-31     | 6LB63251000<br>6LB63295000<br>6LB63357000 | ASYB-MEDIA-SENSOR-BX-FRU<br>ASYB-MEDIA-SEN-BX420-FRU<br>ASYB-MEDIA-SEN-BX430-FRU    | For BX410<br>For BX420<br>For BX430   | 1   | 1 | 1 | 1 | 1 | 1 | 1 | 1 | 1 | 0 | 0 | 0 | 0 | 0 | 0 | 0 | 0                 | B |
| 3-32     | 6LB63265000                               | ASYB-GUIDE-RLR-S-BX-FRU   | For BX420/BX430   | 1   | 0 | 0 | 0 | 0 | 0 | 0 | 0 | 0 | 0 | 1 | 1 | 1 | 1 | 1 | 1 | 1                 |   |
| 3-33     | 6LB63259000                               | ASYB-GUIDE-RLR-BX-FRU   |   | 1   | 1 | 1 | 1 | 1 | 1 | 1 | 1 | 1 | 1 | 1 | 1 | 1 | 1 | 1 | 1 | 1                 |   |
| 3-34     | 6LB63253000<br>6LB55429000                | SPG-RLR-PNCH-UP-BX-FRU<br>EX4T3-SP-PINCH-30 FRU (ROHS)                              | For BX410/BX420<br>For BX430  | 1   | 2 | 2 | 2 | 2 | 2 | 2 | 2 | 2 | 2 | 2 | 2 | 2 | 2 | 0 | 0 |                   |   |
| 3-35     | 6LB63266000<br>6LB63267000                | ASYB-PNCH-CAM-BX410-FRU<br>ASYB-PNCH-CAM-BX430-FRU                                  | For BX410/BX420<br>For BX430  | 1   | 1 | 1 | 1 | 1 | 1 | 1 | 1 | 1 | 1 | 1 | 1 | 1 | 1 | 0 | 0 |                   |   |
| 3-36     | 6LB63296000                               | ASYB-HLDR-PWD-BX420   | For BX420   | 1   | 0 | 0 | 0 | 0 | 0 | 0 | 0 | 0 | 1 | 1 | 1 | 1 | 1 | 0 | 0 |                   |   |
| 3-37     | 6LB63292000                               | HRNS-BX410-LPAPERSENS-FRU   | For BX410/BX420   | 1   | 1 | 1 | 1 | 1 | 1 | 1 | 1 | 1 | 1 | 1 | 1 | 1 | 1 | 0 | 0 |                   |   |
| 3-38     | 6LB63293000                               | HRNS-BX410-UPAPERSENS-FRU   | For BX410/BX420   | 1   | 1 | 1 | 1 | 1 | 1 | 1 | 1 | 1 | 1 | 1 | 1 | 1 | 1 | 0 | 0 |                   |   |
| 3-39     | 6LB63294000                               | COVER-LBL-SNSR-SX-FRU   |   | 1   | 1 | 1 | 1 | 1 | 1 | 1 | 1 | 1 | 1 | 1 | 1 | 1 | 1 | 1 | 1 | 1                 |   |
| 3-40     | 6LB63301000                               | PLATE-SPG-PNCH-BX-FRU   | For BX410/BX420   | 1   | 1 | 1 | 1 | 1 | 1 | 1 | 1 | 1 | 1 | 1 | 1 | 1 | 1 | 0 | 0 |                   |   |
| 3-41     | 6LB63502000                               | COVER-LBL-SNSR-LWR-BX-FRU   | For BX410/BX420   | 1   | 1 | 1 | 1 | 1 | 1 | 1 | 1 | 1 | 1 | 1 | 1 | 1 | 1 | 0 | 0 |                   |   |
| 3-42     | 6LB63527000                               | ASYB-LBL-FR-GID-BX430-FRU   | For BX430   | 1   | 0 | 0 | 0 | 0 | 0 | 0 | 0 | 0 | 0 | 0 | 0 | 0 | 0 | 1 | 1 |                   |   |

A: BX410T-GS02-QM-S B: BX410T-TS02-QM-S C: BX410T-GS02-CN-S D: BX410T-GS06-QM-S E: BX410T-GS06-CN-S F: BX410T-TS02-CN-S G: BX410T-TS06-QM-S H: BX410T-TS06-CN-S  
 J: BX420T-GS02-QM-S K: BX420T-TS02-QM-S L: BX420T-GS02-CN-S M: BX420T-TS02-CN-S N: BX420D-GS02-QM-S O: BX430T-HS02-QM-S P: BX430T-HS02-CN-S

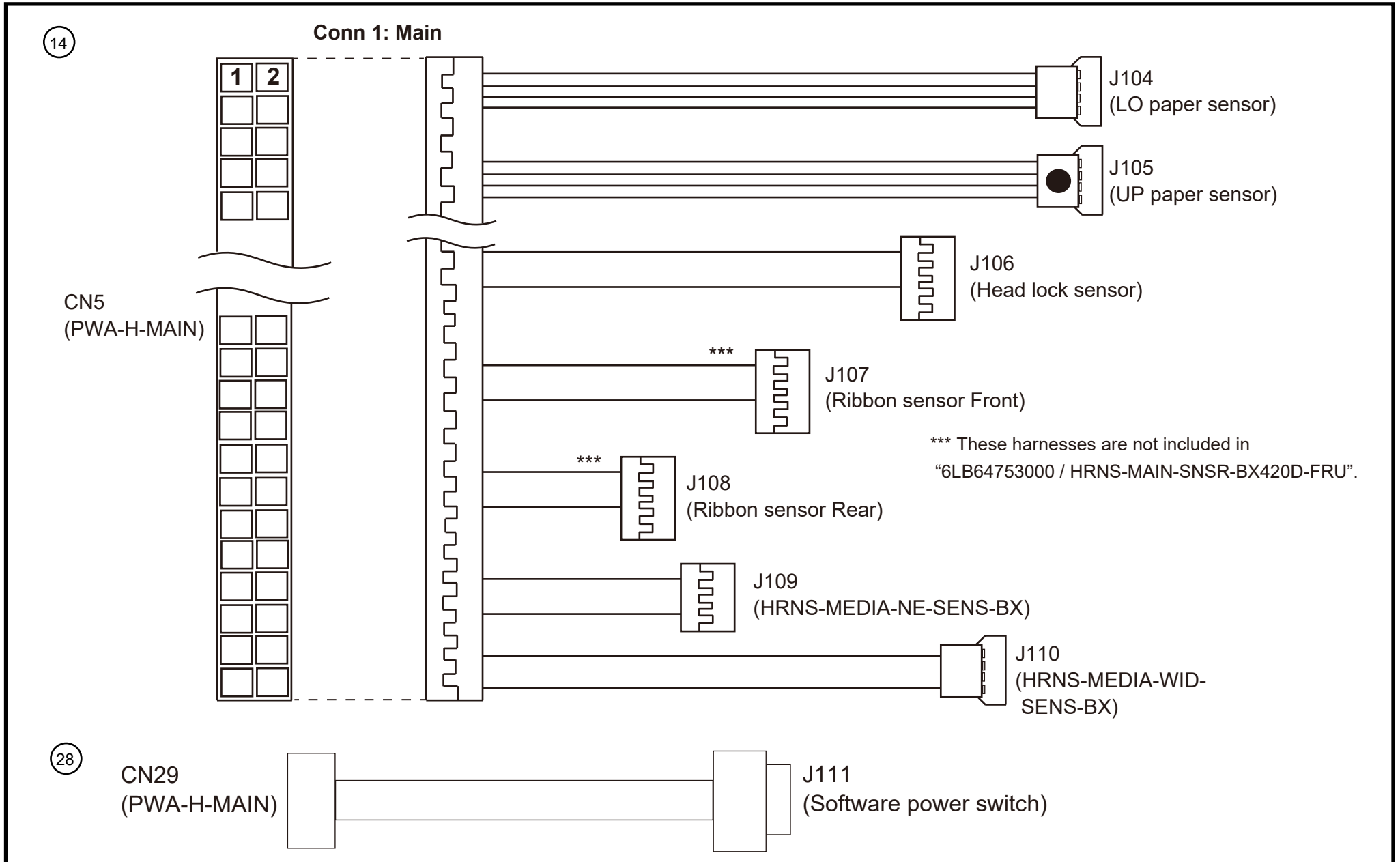
# 4. INTERIOR PARTS (3)



# 4. INTERIOR PARTS (3)



# 4. INTERIOR PARTS (3)



# 4. INTERIOR PARTS (3)

| Ref. No. | Part No.    | Description                          | Remarks                        | MOQ | A | B | C | D | E | F | G | H | J | K | L | M | N | O | P | Recommended Parts |
|----------|-------------|--------------------------------------|--------------------------------|-----|---|---|---|---|---|---|---|---|---|---|---|---|---|---|---|-------------------|
| 4-1      | 6LB63192000 | ASYB-MAIN-PCB-BX410-FRU              | For BX410                      | 1   | 1 | 1 | 1 | 1 | 1 | 1 | 1 | 1 | 0 | 0 | 0 | 0 | 0 | 0 | 0 | E                 |
|          | 6LB63193000 | ASYB-MAIN-PCB-BX420-FRU              | For BX420                      | 1   | 0 | 0 | 0 | 0 | 0 | 0 | 0 | 0 | 1 | 1 | 1 | 1 | 1 | 0 | 0 |                   |
|          | 6LB63194000 | ASYB-MAIN-PCB-BX430-FRU              | For BX430                      | 1   | 0 | 0 | 0 | 0 | 0 | 0 | 0 | 0 | 0 | 0 | 0 | 0 | 0 | 1 | 1 |                   |
| 4-2      | C0-24085000 | GT24C128D-2PLI                       |                                | 1   | 1 | 1 | 1 | 1 | 1 | 1 | 1 | 1 | 1 | 1 | 1 | 1 | 1 | 1 | 1 | D                 |
|          | C0-22252000 | 24AA128-I/P                          | Corrected: 2/25                |     |   |   |   |   |   |   |   |   |   |   |   |   |   |   |   |                   |
| 4-3      | 6LB63185000 | ASYB-BRKT-RBN-MOT-BX-FRU             |                                | 1   | 1 | 1 | 1 | 1 | 1 | 1 | 1 | 1 | 1 | 1 | 1 | 1 | 0 | 1 | 1 | E                 |
| 4-4      | 6LB63286000 | GEAR-RBN-TAKE-UP-BX-FRU              |                                | 1   | 1 | 1 | 1 | 1 | 1 | 1 | 1 | 1 | 1 | 1 | 1 | 1 | 0 | 1 | 1 |                   |
| 4-5      | 6LB63287000 | GEAR-RBN-FEED-BX-FRU                 |                                | 1   | 1 | 1 | 1 | 1 | 1 | 1 | 1 | 1 | 1 | 1 | 1 | 1 | 0 | 1 | 1 |                   |
| 4-6      | 6LB63288000 | GEAR-RBN-IDLE-BX-FRU                 |                                | 1   | 1 | 1 | 1 | 1 | 1 | 1 | 1 | 1 | 1 | 1 | 1 | 1 | 0 | 1 | 1 |                   |
| 4-7      | 6LB63187000 | ASYS-FRM-RBN-GEAR-BX-FRU             |                                | 1   | 1 | 1 | 1 | 1 | 1 | 1 | 1 | 1 | 1 | 1 | 1 | 1 | 0 | 1 | 1 |                   |
| 4-8      | 7FM00066000 | Slit Sensor Mounting Plate (Take-up) |                                | 1   | 1 | 1 | 1 | 1 | 1 | 1 | 1 | 1 | 1 | 1 | 1 | 1 | 0 | 1 | 1 |                   |
| 4-9      | C0-16141000 | Slit Sensor GP1S173LCS2F             |                                | 1   | 3 | 3 | 3 | 3 | 3 | 3 | 3 | 3 | 3 | 3 | 3 | 3 | 1 | 3 | 3 | B                 |
| 4-10     | 6LB63191000 | PLT-RBN-MT-ATTACH-BX-FRU             |                                | 1   | 2 | 2 | 2 | 2 | 2 | 2 | 2 | 2 | 2 | 2 | 2 | 2 | 0 | 2 | 2 |                   |
| 4-11     | 7FM08000000 | ASY-ATC-PLATE-A-SLIT-SNR             |                                | 1   | 1 | 1 | 1 | 1 | 1 | 1 | 1 | 1 | 1 | 1 | 1 | 1 | 0 | 1 | 1 |                   |
| 4-12     | 6LB63184000 | ASYS-MOT-RS385PV-FRU                 |                                | 1   | 2 | 2 | 2 | 2 | 2 | 2 | 2 | 2 | 2 | 2 | 2 | 2 | 0 | 2 | 2 |                   |
| 4-13     | 6LB63189000 | HRNS-MAIN-MOTR-BX-FRU                | Corrected: 10/24               | 1   | 1 | 1 | 1 | 1 | 1 | 1 | 1 | 1 | 1 | 1 | 1 | 1 | 4 | 0 | 1 | 1                 |
|          | 6LB64752000 | HRNS-MAIN-MOTR-BX420D-FRU            | For BX420D<br>Added: 10/24     | 1   | 0 | 0 | 0 | 0 | 0 | 0 | 0 | 0 | 0 | 0 | 0 | 0 | 1 | 0 | 0 |                   |
| 4-14     | 6LB63205000 | HRNS-MAIN-SENSR-BX420-FRU            | For BX420T<br>Corrected: 10/24 | 1   | 0 | 0 | 0 | 0 | 0 | 0 | 0 | 0 | 1 | 1 | 1 | 1 | 4 | 0 | 0 |                   |
|          | 6LB63206000 | HRNS-MAIN-SENSR-BX430-FRU            | For BX410/BX430                | 1   | 1 | 1 | 1 | 1 | 1 | 1 | 1 | 1 | 0 | 0 | 0 | 0 | 0 | 1 | 1 |                   |
|          | 6LB64753000 | HRNS-MAIN-SNSR-BX420D-FRU            | For BX420D<br>Added: 10/24     | 1   | 0 | 0 | 0 | 0 | 0 | 0 | 0 | 0 | 0 | 0 | 0 | 0 | 1 | 0 | 0 |                   |
| 4-15     | 6LB63282000 | ASYS-PSU-BR150W-BX-FRU               |                                | 1   | 1 | 1 | 1 | 1 | 1 | 1 | 1 | 1 | 1 | 1 | 1 | 1 | 1 | 1 | 1 | E                 |
| 4-16     | 6LB63188000 | HRNS-MAIN-SOLENOID-BX-FRU            |                                | 1   | 0 | 0 | 0 | 1 | 1 | 0 | 1 | 1 | 0 | 0 | 0 | 0 | 0 | 0 | 0 |                   |
| 4-17     | 6LB63186000 | FRAME-PVT-ENG-BX400-FRU              |                                | 1   | 1 | 1 | 1 | 1 | 1 | 1 | 1 | 1 | 1 | 1 | 1 | 1 | 1 | 1 | 1 |                   |
| 4-18     | 6LB63281000 | RIBBON-SAVE-SOL-BX-FRU               |                                | 1   | 0 | 0 | 0 | 1 | 1 | 0 | 1 | 1 | 0 | 0 | 0 | 0 | 0 | 0 | 0 | D                 |
| 4-19     | 6LB63274000 | LEVER-SNSR-BX400-FRU                 |                                | 1   | 1 | 1 | 1 | 1 | 1 | 1 | 1 | 1 | 1 | 1 | 1 | 1 | 0 | 1 | 1 |                   |
| 4-20     | 6LB63182000 | ASYB-FEED-MTR-BX410-FRU              | For BX410                      | 1   | 1 | 1 | 1 | 1 | 1 | 1 | 1 | 1 | 0 | 0 | 0 | 0 | 0 | 0 | E |                   |
|          | 6LB63183000 | ASYB-FEED-MTR-BX420-FRU              | For BX420/BX430                | 1   | 0 | 0 | 0 | 0 | 0 | 0 | 0 | 0 | 1 | 1 | 1 | 1 | 1 | 1 | 1 |                   |
| 4-21     | 6LB63276000 | GR-8S19-P-2M56-30-BX-FRU             |                                | 1   | 1 | 1 | 1 | 1 | 1 | 1 | 1 | 1 | 1 | 1 | 1 | 1 | 1 | 1 | 1 |                   |
| 4-22     | 6LB63271000 | BELT-2M-242-6-BX-FRU                 | For BX410                      | 1   | 1 | 1 | 1 | 1 | 1 | 1 | 1 | 1 | 0 | 0 | 0 | 0 | 0 | 0 | B |                   |
|          | 6LB63272000 | BELT-2M-262-6-BX-FRU                 | For BX420/BX430                | 1   | 0 | 0 | 0 | 0 | 0 | 0 | 0 | 0 | 1 | 1 | 1 | 1 | 1 | 1 | 1 |                   |
| 4-23     | 6LB63277000 | GR-8S19-P-2M30-BX-FRU                |                                | 1   | 1 | 1 | 1 | 1 | 1 | 1 | 1 | 1 | 1 | 1 | 1 | 1 | 1 | 1 | 1 |                   |
| 4-24     | 6LB63270000 | BELT-2M-190-6-BX-FRU                 |                                | 1   | 1 | 1 | 1 | 1 | 1 | 1 | 1 | 1 | 1 | 1 | 1 | 1 | 1 | 1 | 1 | B                 |

A: BX410T-GS02-QM-S B: BX410T-TS02-QM-S C: BX410T-GS02-CN-S D: BX410T-GS06-QM-S E: BX410T-GS06-CN-S F: BX410T-TS02-CN-S G: BX410T-TS06-QM-S H: BX410T-TS06-CN-S  
 J: BX420T-GS02-QM-S K: BX420T-TS02-QM-S L: BX420T-GS02-CN-S M: BX420T-TS02-CN-S N: BX420D-GS02-QM-S O: BX430T-HS02-QM-S P: BX430T-HS02-CN-S

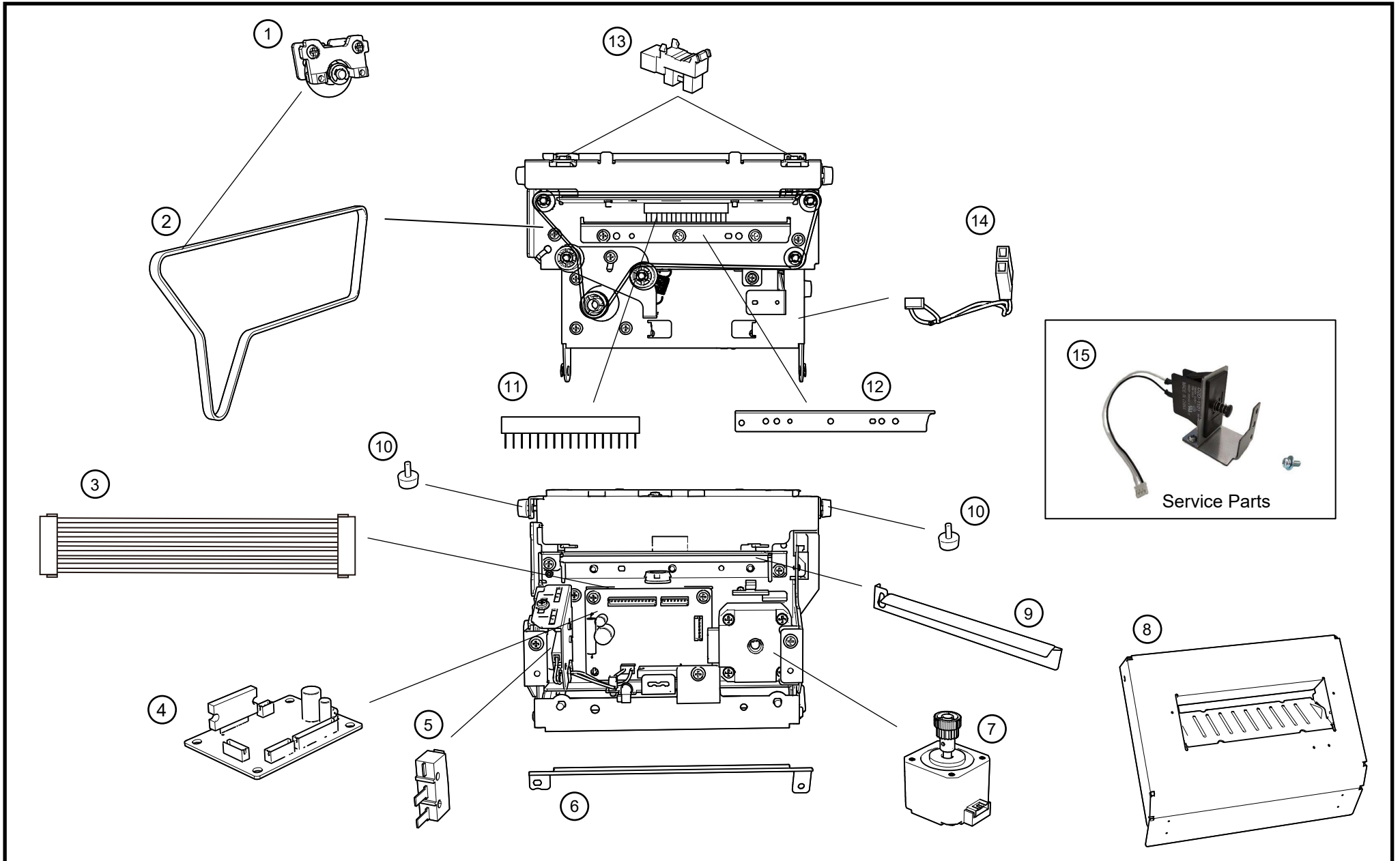
#### 4. INTERIOR PARTS (3)

E08-33041  
 BX400 Series Aug., 2024  
 Revised: Mar., 2025

| Ref. No. | Part No.               | Description  | Remarks                     | MOQ | A | B | C | D | E | F | G | H | J | K | L | M | N | O | P | Recommended Parts |
|----------|------------------------|--|-----------------------------|-----|---|---|---|---|---|---|---|---|---|---|---|---|---|---|---|-------------------|
| 4-25     | 6LB63199000            | ASYB-HEAD-BX410-200-FRU                            | For BX410 (200 dpi)         | 1   | 1 | 0 | 1 | 1 | 1 | 0 | 0 | 0 | 0 | 0 | 0 | 0 | 0 | 0 | 0 | A                 |
|          | 6LB63201000            | ASYB-HEAD-BX420-200-FRU                            | For BX420 (200 dpi)         | 1   | 0 | 0 | 0 | 0 | 0 | 0 | 0 | 0 | 1 | 0 | 1 | 0 | 1 | 0 | 0 |                   |
|          | 6LB63202000            | ASYB-HEAD-BX420-300-FRU                            | For BX420 (300 dpi)         | 1   | 0 | 0 | 0 | 0 | 0 | 0 | 0 | 0 | 0 | 1 | 0 | 1 | 0 | 0 | 0 |                   |
|          | 6LB63203000            | ASYB-HEAD-BX430-600-FRU                            | For BX430 (600 dpi)         | 1   | 0 | 0 | 0 | 0 | 0 | 0 | 0 | 0 | 0 | 0 | 0 | 0 | 0 | 1 | 1 |                   |
|          | 6LB63297000            | ASYB-HEAD-BX410-300-FRU                            | For BX410 (300 dpi)         | 1   | 0 | 1 | 0 | 0 | 0 | 1 | 1 | 1 | 0 | 0 | 0 | 0 | 0 | 0 | 0 |                   |
| 4-26     | 6LB63273000            | HRNS-PWR-HEAD-BX-FRU                               |                             | 1   | 1 | 1 | 1 | 1 | 1 | 1 | 1 | 1 | 1 | 1 | 1 | 1 | 1 | 1 | 1 |                   |
| 4-27     | 6LB63285000            | HRNS-SIG-HEAD-BX-FRU                               | Corrected: 10/'24           | 1   | 1 | 1 | 1 | 1 | 1 | 1 | 1 | 1 | 1 | 1 | 1 | 1 | 4 | 0 | 1 | 1                 |
|          | 6LB64754000            | HRNS-SIG-HEAD-BX420D-FRU                           | For BX420D<br>Added: 10/'24 | 1   | 0 | 0 | 0 | 0 | 0 | 0 | 0 | 0 | 0 | 0 | 0 | 0 | 1 | 0 | 0 |                   |
| 4-28     | 6LB63190000            | HRNS-MAIN-PWRSW-BX-FRU                             |                             | 1   | 1 | 1 | 1 | 1 | 1 | 1 | 1 | 1 | 1 | 1 | 1 | 1 | 1 | 1 | 1 |                   |
| 4-29     | 6LB63289000            | SPG-SOL-BX410-FRU                                  |                             | 1   | 0 | 0 | 0 | 1 | 1 | 0 | 1 | 1 | 0 | 0 | 0 | 0 | 0 | 0 | 0 |                   |
| 4-30     | 6LB63275000            | STOPPER-MO-BX-FRU                                  |                             | 1   | 1 | 1 | 1 | 1 | 1 | 1 | 1 | 1 | 1 | 1 | 1 | 1 | 1 | 1 | 1 |                   |
| 4-31     | 7FM00101000            | SPRING   |                             | 1   | 1 | 1 | 1 | 1 | 1 | 1 | 1 | 1 | 1 | 1 | 1 | 1 | 1 | 1 | 1 |                   |
| 4-32     | <del>7FM01215000</del> | <del>Ribbon save magnet Ass'y (with harness)</del> |                             | 1   | 0 | 0 | 0 | 1 | 1 | 0 | 1 | 1 | 0 | 0 | 0 | 0 | 0 | 0 | 0 | D                 |
|          | 6LB61795000            | SOL-BSX-R-FRU                                      | Changed: 1/'25              |     |   |   |   |   |   |   |   |   |   |   |   |   |   |   |   |                   |
| 4-33     | 6LB63302000            | FAN-6025-BX-FRU                                    |                             | 1   | 1 | 1 | 1 | 1 | 1 | 1 | 1 | 1 | 1 | 1 | 1 | 1 | 0 | 1 | 1 |                   |
| 4-34     | 6LB63303000            | HRNS-MAIN-USBH-BX-FRU                              |                             | 1   | 1 | 1 | 1 | 1 | 1 | 1 | 1 | 1 | 1 | 1 | 1 | 1 | 1 | 1 | 1 |                   |

A: BX410T-GS02-QM-S B: BX410T-TS02-QM-S C: BX410T-GS02-CN-S D: BX410T-GS06-QM-S E: BX410T-GS06-CN-S F: BX410T-TS02-CN-S G: BX410T-TS06-QM-S H: BX410T-TS06-CN-S  
 J: BX420T-GS02-QM-S K: BX420T-TS02-QM-S L: BX420T-GS02-CN-S M: BX420T-TS02-CN-S N: BX420D-GS02-QM-S O: BX430T-HS02-QM-S P: BX430T-HS02-CN-S

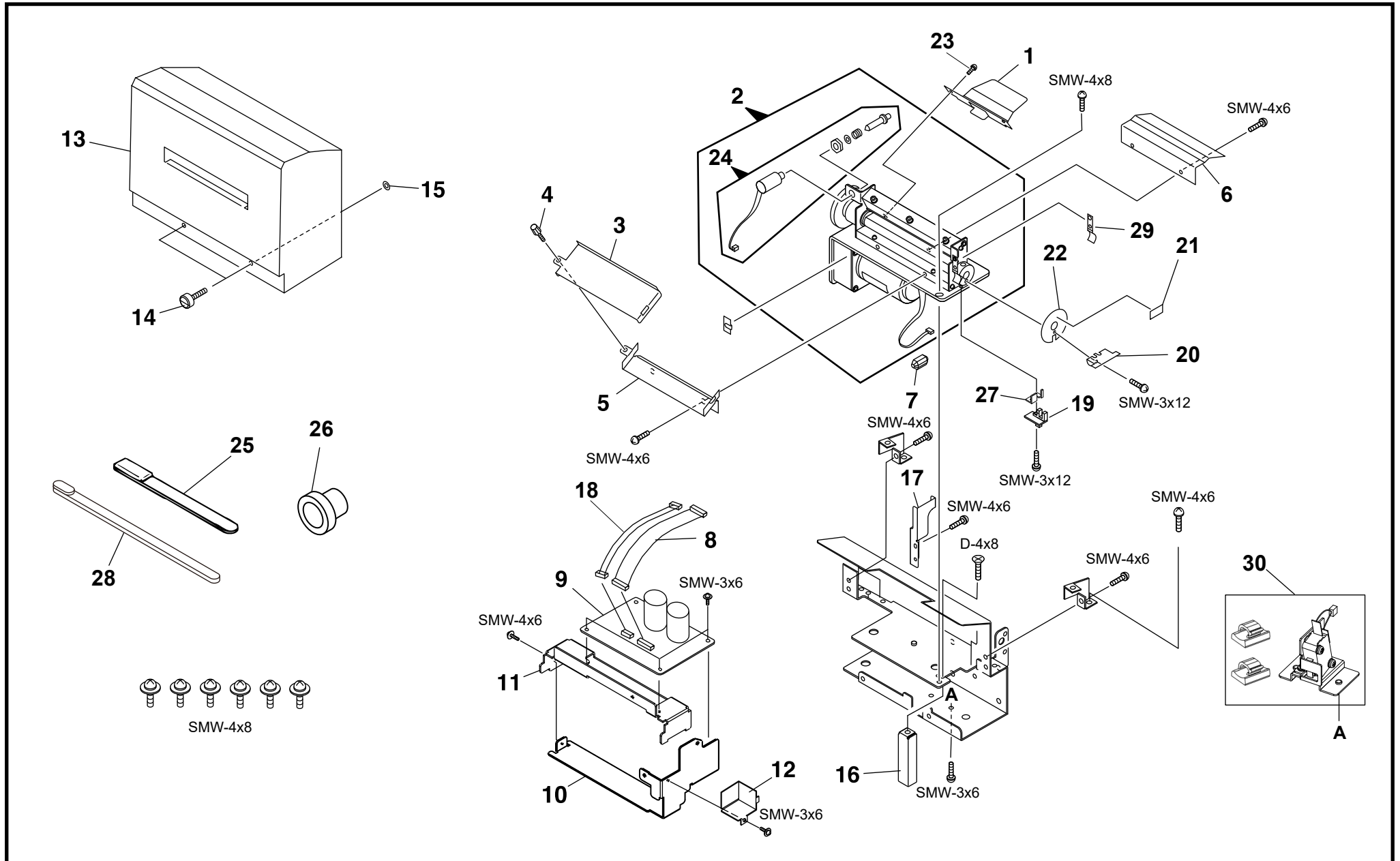
# 5. Disc cutter module (BX204-QM-S)





# 6. Rotary cutter module (BX204-R-QM-S)

EO8-33041  
BX400 Series Aug., 2024

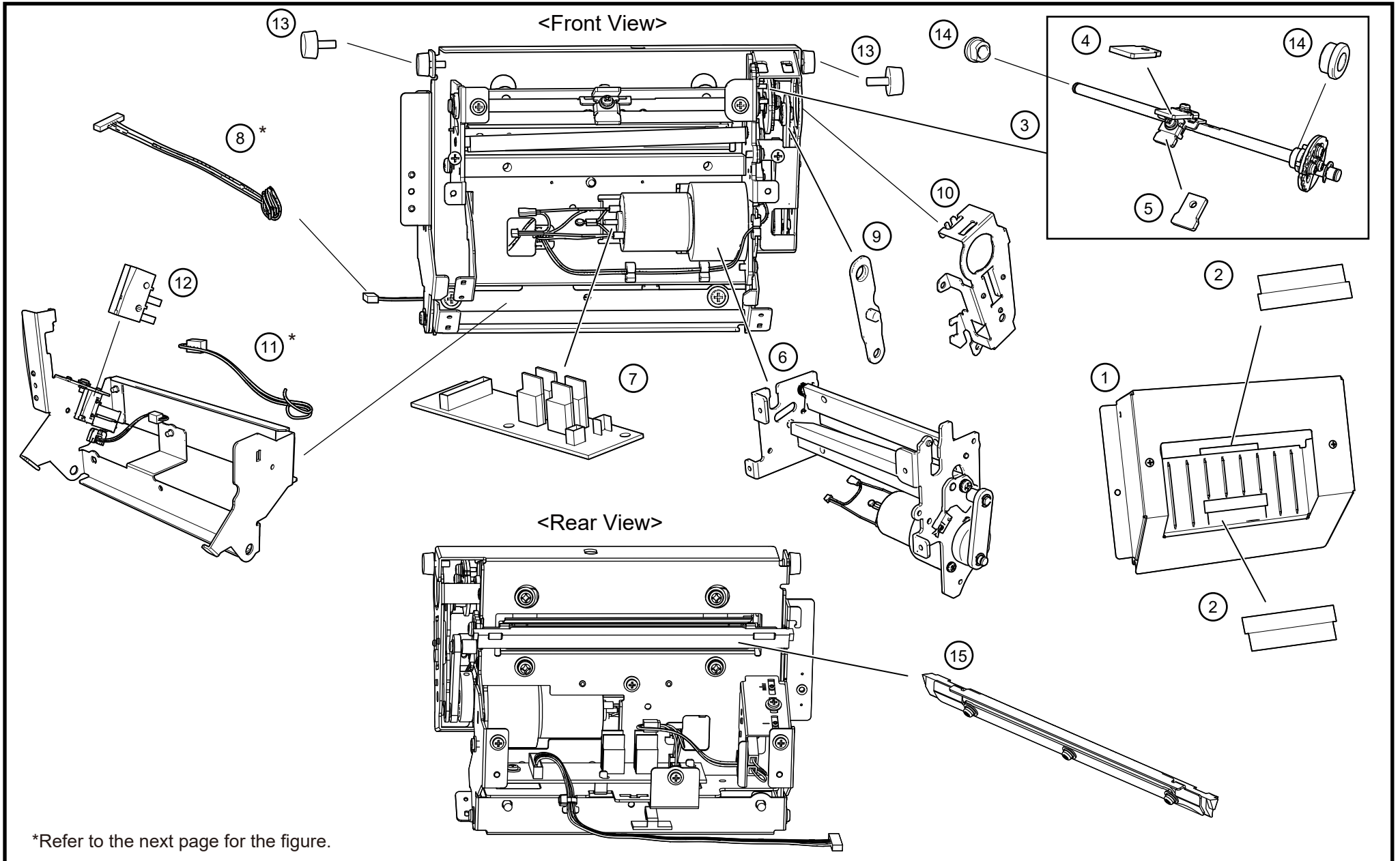


## 6. Rotary cutter module (BX204-R-QM-S)

E08-33041  
BX400 Series Feb., 2025

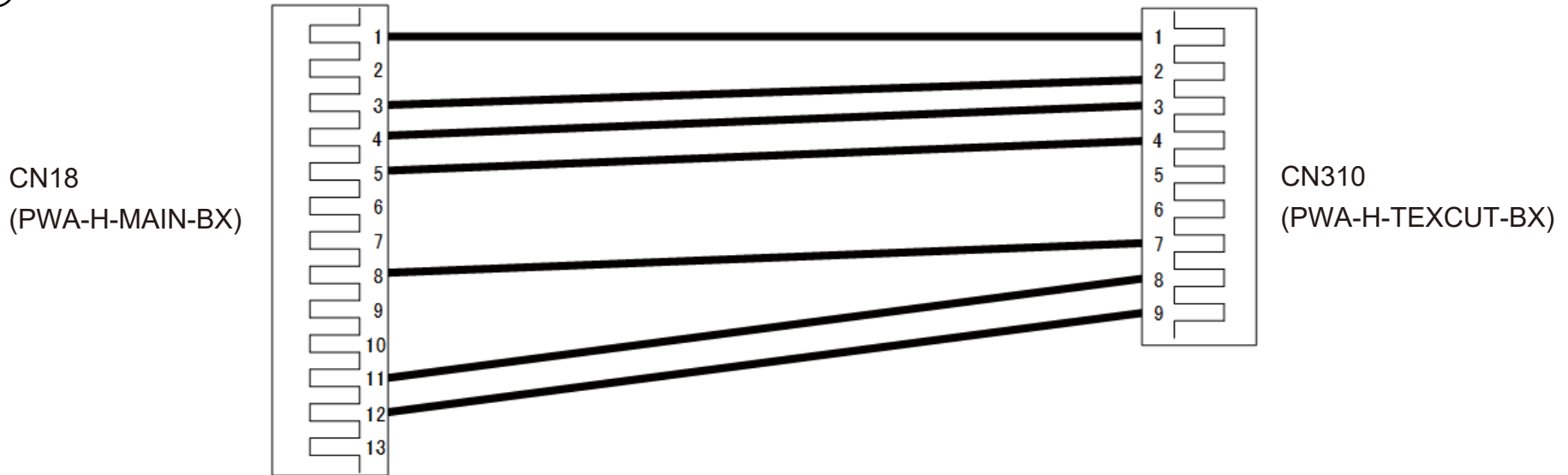
| Ref. No. | Part No.                              | Description                           | Remarks         | MOQ | A |  |  |  |  |  |  |  | Recommended Parts |
|----------|---------------------------------------|---------------------------------------|-----------------|-----|---|--|--|--|--|--|--|--|-------------------|
| 6-1      | 6LB63488000                           | CUTTER-GUIDE-SX-FRU                   |                 | 1   | 1 |  |  |  |  |  |  |  |                   |
| 6-2      | <del>7FM07040000</del><br>6LB56220000 | ASYB-EX204-CUTTER-BK                  | Changed: 12/24  | 1   | 1 |  |  |  |  |  |  |  |                   |
| 6-3      | 6LB63489000                           | PAPER-GUIDE-A-FRU                     |                 | 1   | 1 |  |  |  |  |  |  |  |                   |
| 6-4      | 7FM01620000                           | White Screw M-3x4                     |                 | 1   | 1 |  |  |  |  |  |  |  |                   |
| 6-5      | 6LB63490000                           | PAPER-GUIDE-B-FRU                     |                 | 1   | 1 |  |  |  |  |  |  |  |                   |
| 6-6      | 6LB63491000                           | N-CUTTER-GUIDE-D-FRU                  |                 | 1   | 1 |  |  |  |  |  |  |  |                   |
| 6-7      | D0-34918000                           | Ferrite Bead GRFC-4                   |                 | 1   | 1 |  |  |  |  |  |  |  |                   |
| 6-8      | 7FM07042000                           | HRNS-B-EX-RCUTTER-MAIN                |                 | 1   | 1 |  |  |  |  |  |  |  |                   |
| 6-9      | 7FM07043000                           | PWA-ROTARY-CUTTER                     |                 | 1   | 1 |  |  |  |  |  |  |  |                   |
| 6-10     | 7FM01068000                           | Rotary Cutter Frame B                 |                 | 1   | 1 |  |  |  |  |  |  |  |                   |
| 6-11     | 7FM01067000                           | Rotary Cutter Frame A                 |                 | 1   | 1 |  |  |  |  |  |  |  |                   |
| 6-12     | 7FM07044000                           | N-CUTTER-PCB-COVER                    |                 | 1   | 1 |  |  |  |  |  |  |  |                   |
| 6-13     | <del>7FM074400</del><br>7FM07045100   | ASYS-EX204-R-COVER-COAT               | Corrected: 2/25 | 1   | 1 |  |  |  |  |  |  |  |                   |
| 6-14     | 7FM07046000                           | M4-THUMB-SCREW                        |                 | 1   | 2 |  |  |  |  |  |  |  |                   |
| 6-15     | F0-00070000                           | Speed Nut TM-147-2                    |                 | 1   | 2 |  |  |  |  |  |  |  |                   |
| 6-16     | 7FM07047000                           | CUTTER-SUPPORT-PLATE-A                |                 | 1   | 1 |  |  |  |  |  |  |  |                   |
| 6-17     | 7FM07048000                           | N-CUTTER-PCB-COVER                    |                 | 1   | 1 |  |  |  |  |  |  |  |                   |
| 6-18     | 7FM07050000                           | HRNS-RCUTDRV-CHP-SENR                 |                 | 1   | 1 |  |  |  |  |  |  |  |                   |
| 6-19     | 7FM07051000                           | RCUTDRV-CHP-SENR                      |                 | 1   | 1 |  |  |  |  |  |  |  |                   |
| 6-20     | 7FM07052000                           | CUTTER-RELEASE-LEVER                  |                 | 1   | 1 |  |  |  |  |  |  |  |                   |
| 6-21     | 6LB63499000                           | CUTTER-JAM-CLEAR-LBL-FRU              |                 | 1   | 1 |  |  |  |  |  |  |  |                   |
| 6-22     | 7FM07053000                           | CUTTER- SENSOR-PLATE                  |                 | 1   | 1 |  |  |  |  |  |  |  |                   |
| 6-23     | 7FM07054000                           | M4X6-SEMS-ZC                          |                 | 1   | 2 |  |  |  |  |  |  |  |                   |
| 6-24     | <del>G0-00484000</del><br>6LB61794000 | Trigger Solenoid<br>3247-TRIG-SOL-FRU | Changed: 1/25   | 1   | 1 |  |  |  |  |  |  |  |                   |
| 6-25     | 7FM06783000                           | HEAD-CLEANER-THCB-3N                  |                 | 1   | 1 |  |  |  |  |  |  |  |                   |
| 6-26     | F0-00168000                           | Cable Bush OLBT-13                    |                 | 1   | 1 |  |  |  |  |  |  |  |                   |
| 6-27     | 7FM07055000                           | CUTTER-HP-SENSOR-PLATE                |                 | 1   | 1 |  |  |  |  |  |  |  |                   |
| 6-28     | 7FM06784000                           | HEAD-CLEANER-THCB-4N                  |                 | 1   | 1 |  |  |  |  |  |  |  |                   |
| 6-29     | G0-00798000                           | 3247-DETENT-SPRING                    |                 | 1   | 1 |  |  |  |  |  |  |  |                   |
| 6-30     | 7FM08098000                           | ASYB-EX204-R-SWITCH                   |                 | 1   | 1 |  |  |  |  |  |  |  |                   |

# 7. Care label cutter module (BX204-C-QM-S)

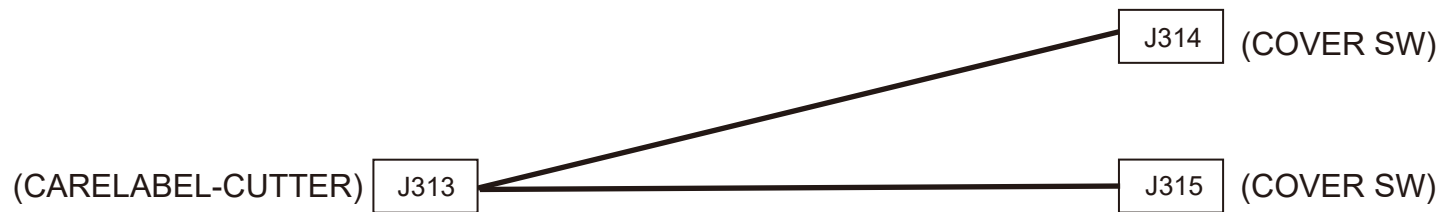


# 7. Care label cutter module (BX204-C-QM-S)

⑧

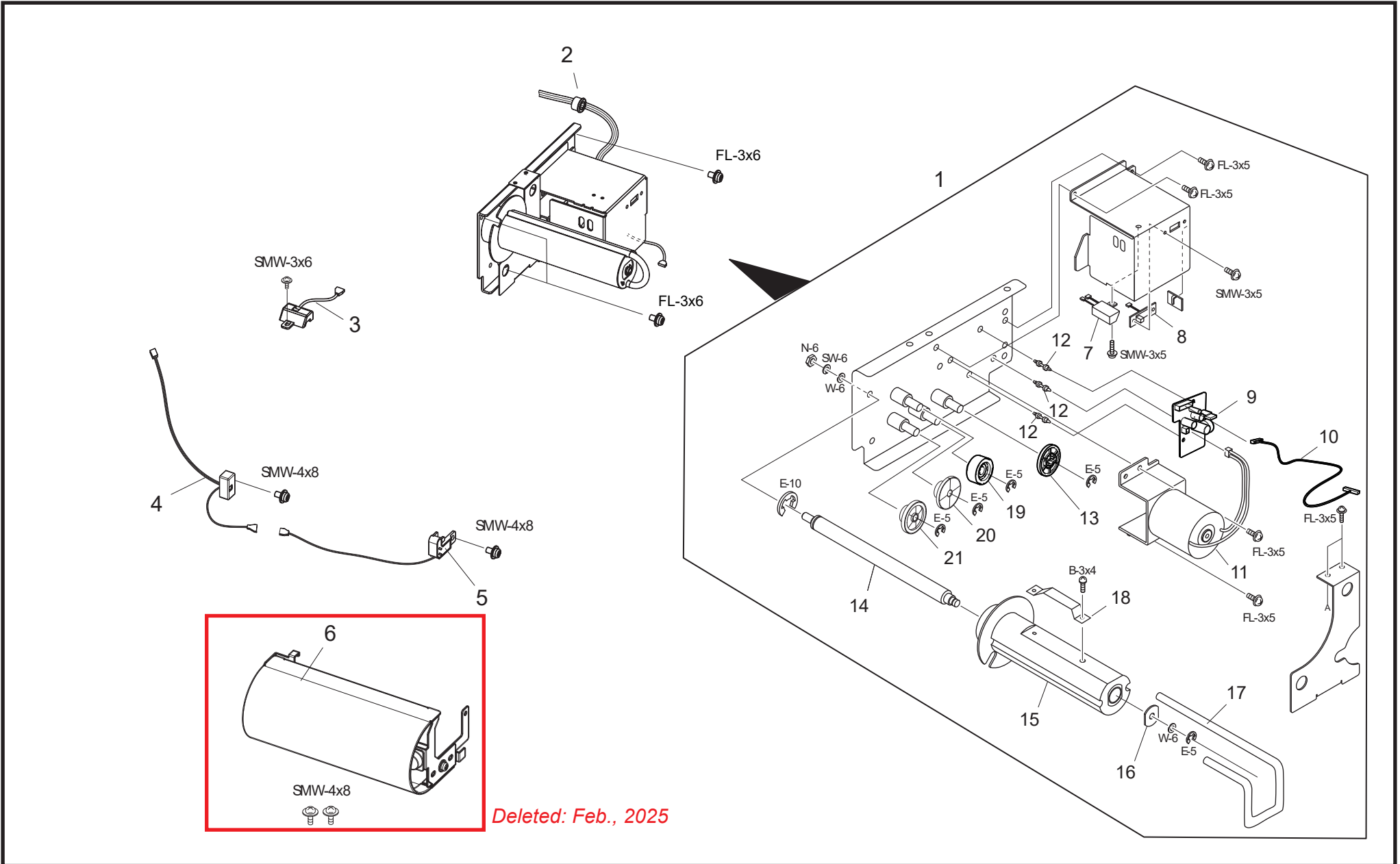


⑪





# 8. Peel off module (BX904-H-QM-S)

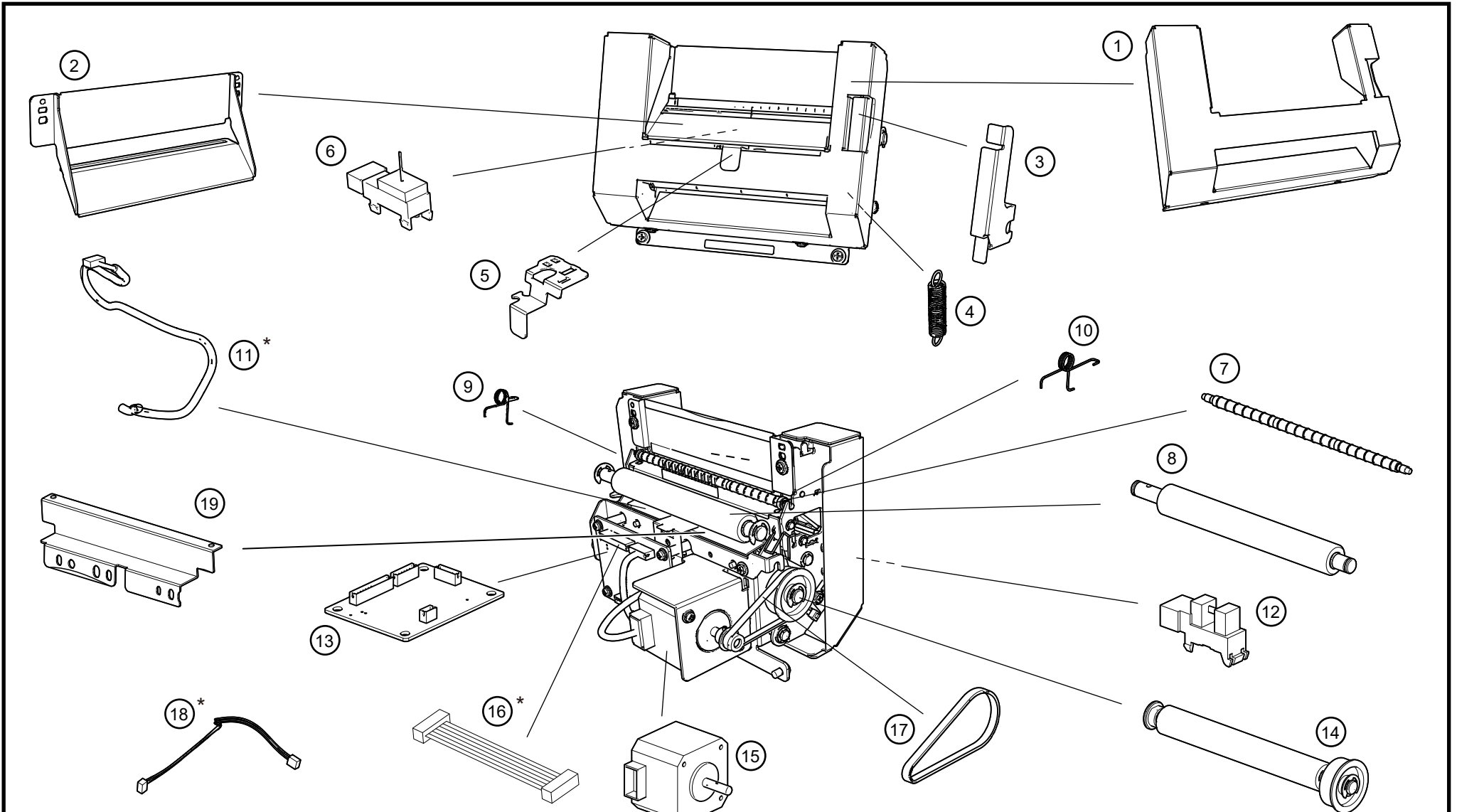


## 8. Peel off module (BX904-H-QM-S)

| Ref. No. | Part No.               | Description                      | Remarks   | MOQ | A |  |  |  |  |  |  |  | Recommended Parts |
|----------|------------------------|----------------------------------|---|-----|---|--|--|--|--|--|--|--|-------------------|
| 8-1      | 6LB63211000            | ASYB-BX904-H-REW-MAB-FRU         |   | 1   | 1 |  |  |  |  |  |  |  |                   |
| 8-2      | F0-00168000            | Cable Bush OLBT-13               |   | 1   | 1 |  |  |  |  |  |  |  |                   |
| 8-3      | 6LB63492000            | REWIND-FULL-SENSOR-FRU           |   | 1   | 1 |  |  |  |  |  |  |  | E                 |
| 8-4      | 7FM04991100            | STRIP SENSOR(TR)EX               |   | 1   | 1 |  |  |  |  |  |  |  | E                 |
| 8-5      | 7FM04990000            | STRIP SENSOR(LED)EX              |   | 1   | 1 |  |  |  |  |  |  |  | E                 |
| 8-6      | <del>6LB63498000</del> | <del>ASYS-REWIND-GUIDE-FRU</del> | Deleted: 2/25   | 4   | 4 |  |  |  |  |  |  |  |                   |
| 8-7      | 7FM07512000            | ASYS-BACK-PAPER-FL-SENS-X        |   | 1   | 1 |  |  |  |  |  |  |  | E                 |
| 8-8      | 7FM07511000            | ASYS-TORQUESW-X                  |   | 1   | 1 |  |  |  |  |  |  |  |                   |
| 8-9      | 6LB63212000            | PWA-H-SX2-BX-FRU                 |   | 1   | 1 |  |  |  |  |  |  |  | E                 |
| 8-10     | 6LB63217000            | HRNS-MAIN-PEELOFF-BX-FRU         |   | 1   | 1 |  |  |  |  |  |  |  |                   |
| 8-11     | 6LB63214000            | ASYB-SX-PWM-MOTR-BX-M-FRU        | Contains two screws (M2.6 x 6 mm) for securing the motor unit.<br>Remarks added: 2/25 | 1   | 1 |  |  |  |  |  |  |  | E                 |
| 8-12     | F0-00144000            | Locking Support LCBT-3S          |   | 1   | 3 |  |  |  |  |  |  |  |                   |
| 8-13     | 6LB63215000            | GEAR-RBN-WIND-IDLE-BX-FRU        |   | 1   | 1 |  |  |  |  |  |  |  |                   |
| 8-14     | 6LB63493000            | BAC-PAPER-WIND-SHAFT-FRU         |   | 1   | 1 |  |  |  |  |  |  |  |                   |
| 8-15     | 6LB63500000            | ASYB-BAC-P-WIND-COREC-FRU        |   | 1   | 1 |  |  |  |  |  |  |  |                   |
| 8-16     | 6LB63496000            | CORE-STOPPER-WASHER-FRU          |   | 1   | 1 |  |  |  |  |  |  |  |                   |
| 8-17     | 7FM05007000            | EX904-SHAFT-STOPPER              |   | 1   | 1 |  |  |  |  |  |  |  |                   |
| 8-18     | 6LB63497000            | RIBON-HLDR-STOPER-FRU            |   | 1   | 1 |  |  |  |  |  |  |  |                   |
| 8-19     | 6LB63216000            | ASYS-GR-75H25-BX-FRU             | white-single-gear   | 1   | 1 |  |  |  |  |  |  |  |                   |
| 8-20     | 6LB63494000            | BAC-PAPER-WIND-GEAR-FRU          | black-double-gear   | 1   | 1 |  |  |  |  |  |  |  |                   |
| 8-21     | 7FM07014000            | WIND-GEAR-B FRU                  | white-double-gear   | 1   | 1 |  |  |  |  |  |  |  |                   |

# 9. High Precision Peel-Off module (BX904-HH-QM-S)

EO8-33041  
BX400 Series Aug., 2024



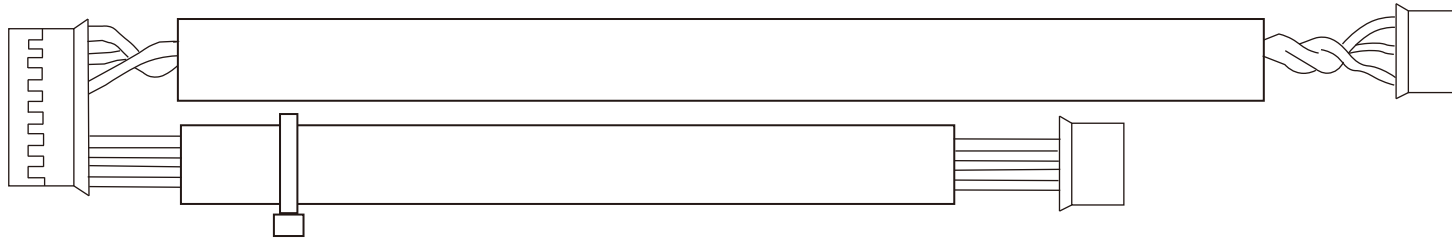
\*Refer to the next page for the figure.

**NOTE:** We will not supply any parts other than those listed in the parts list. If you need unpublished parts, please purchase the whole unit.

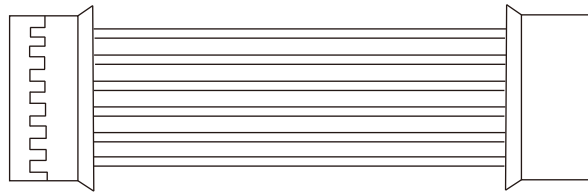
# 9. High Precision Peel-Off module (BX904-HH-QM-S)

EO8-33041  
BX400 Series Aug., 2024

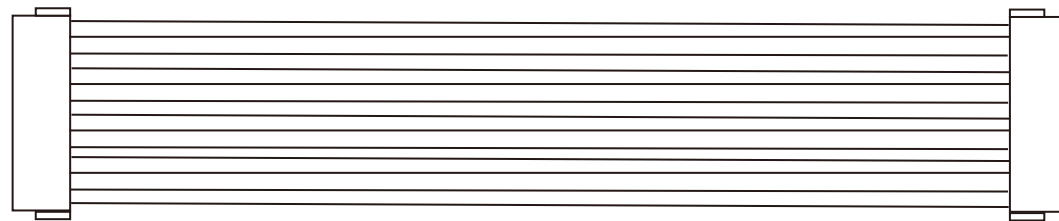
11



16

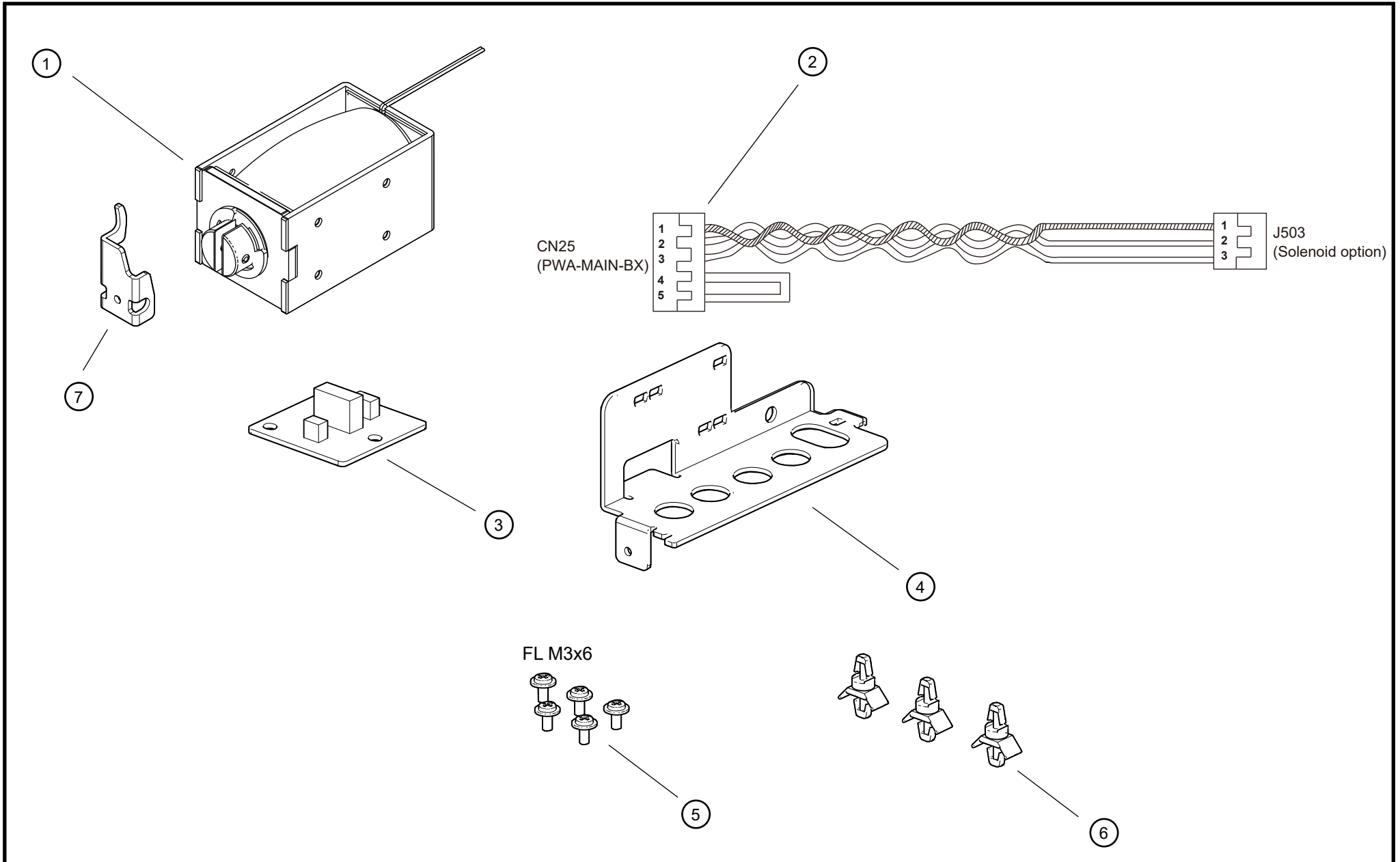


18



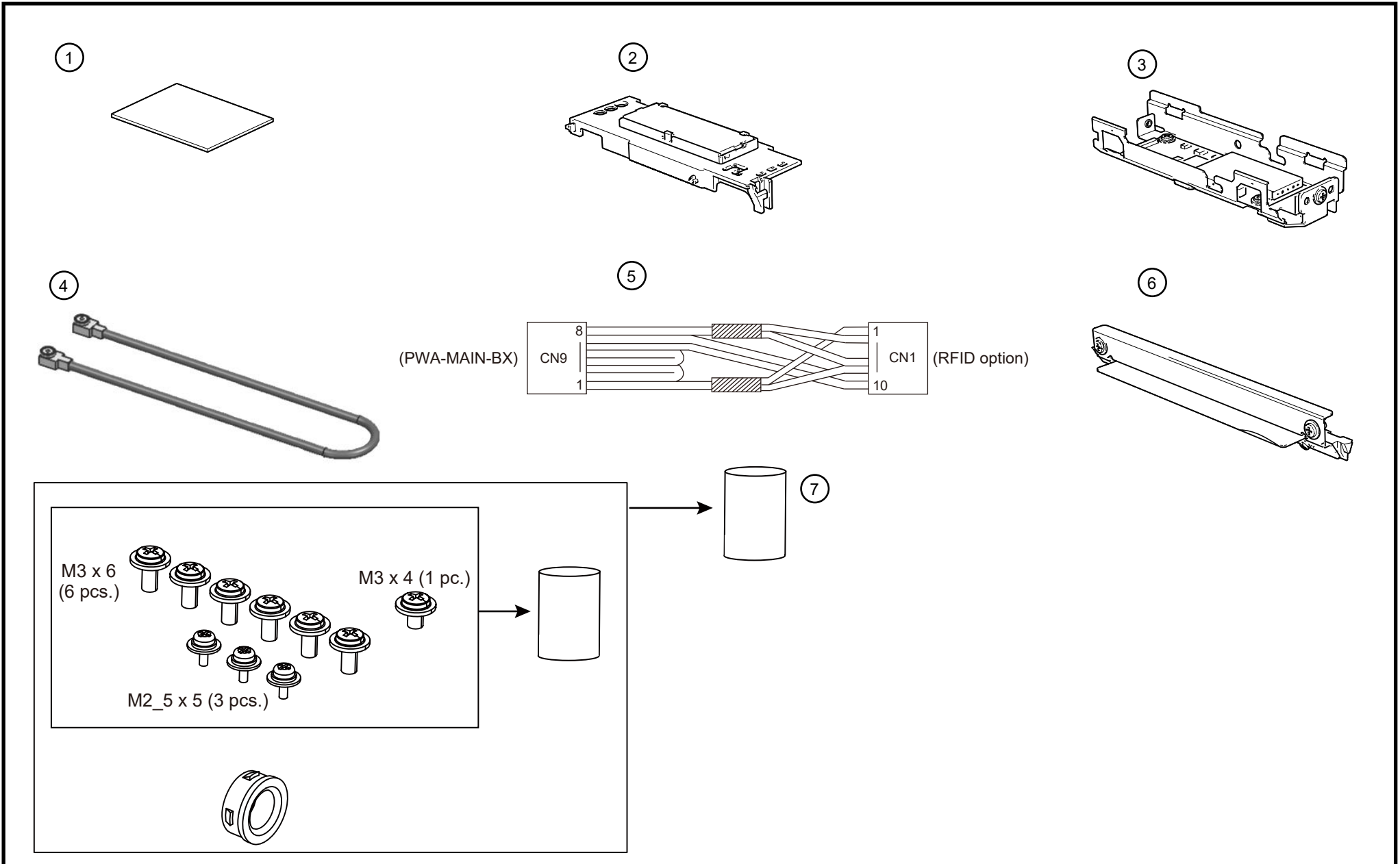


# 10. Ribbon save kit (BX904-R-QM-S)





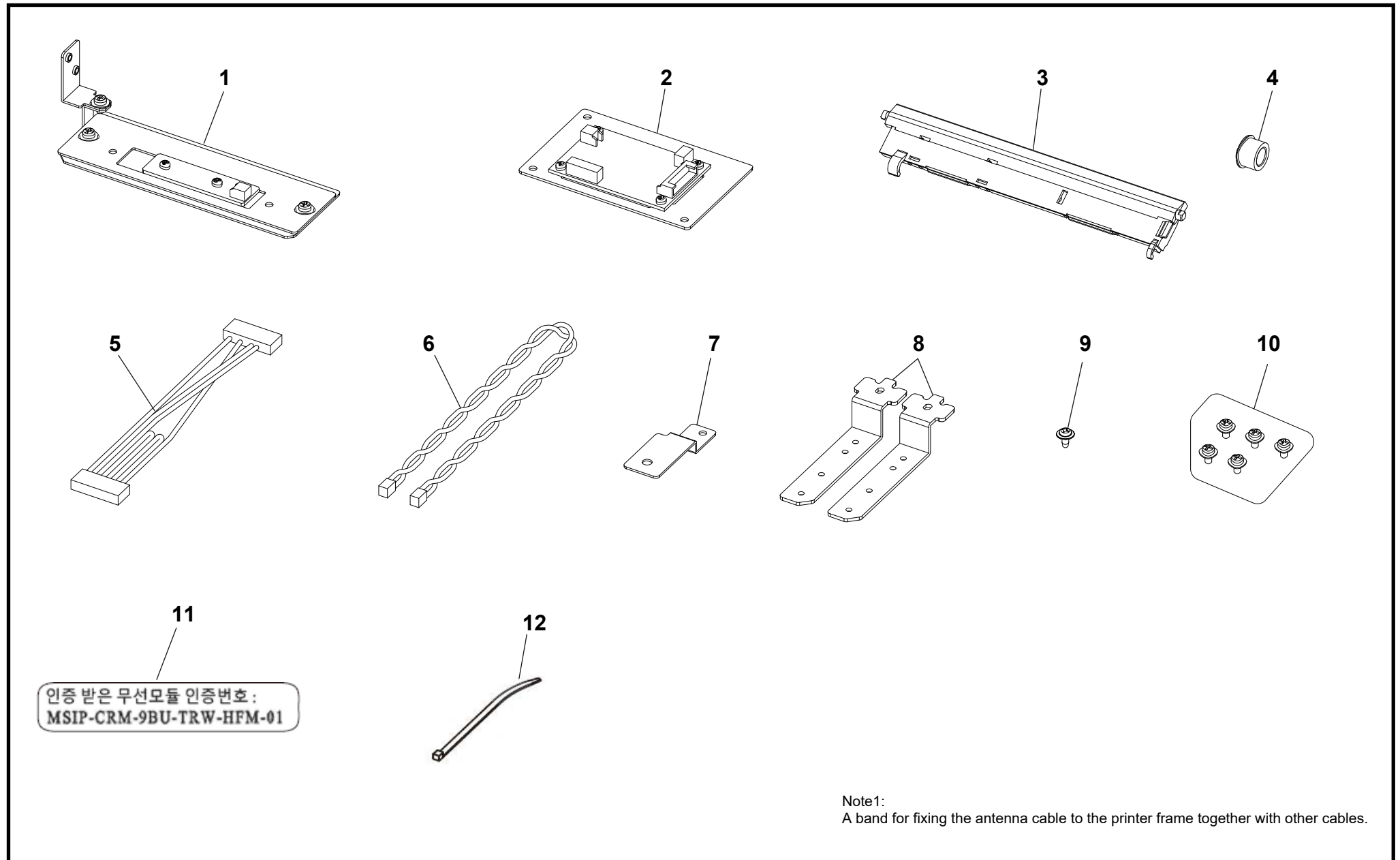
# 11. RFID module (BX704-RFID-U4 Series)





## 12. RFID module (BX704-RFID-H3 Series)

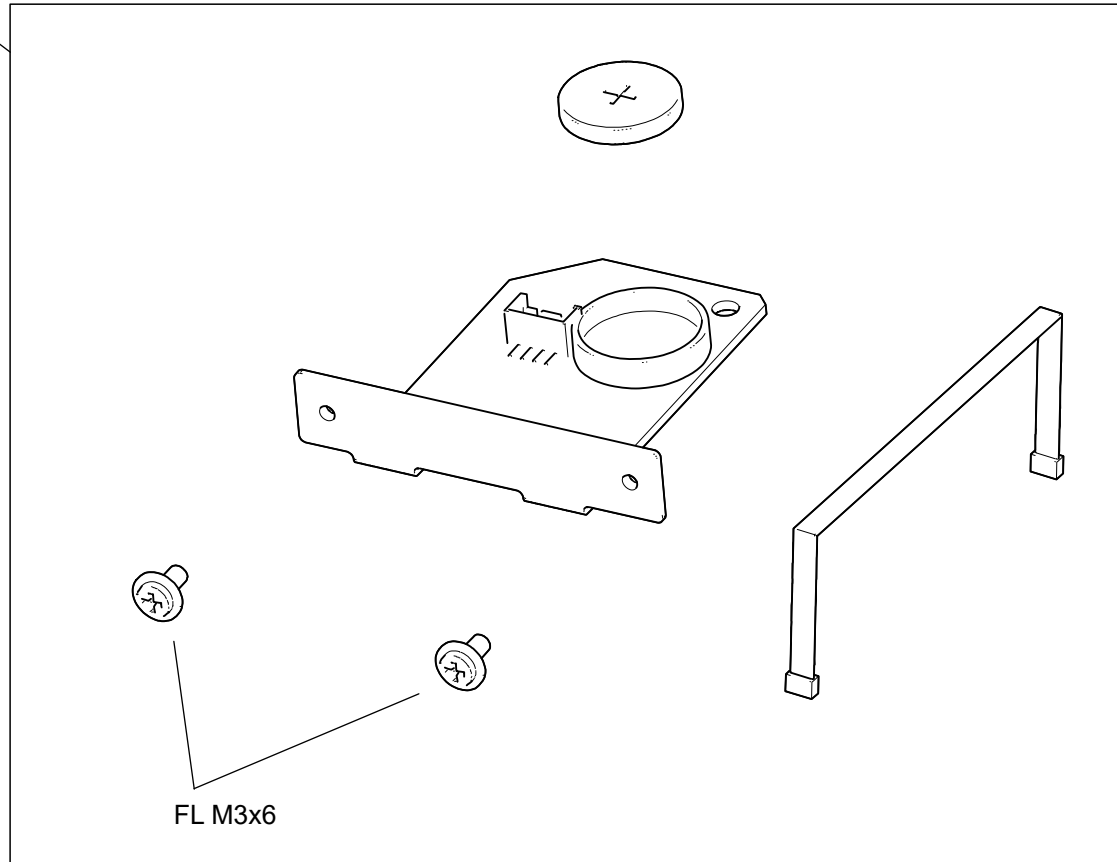
EO8-33041  
BX400 Series Aug., 2024





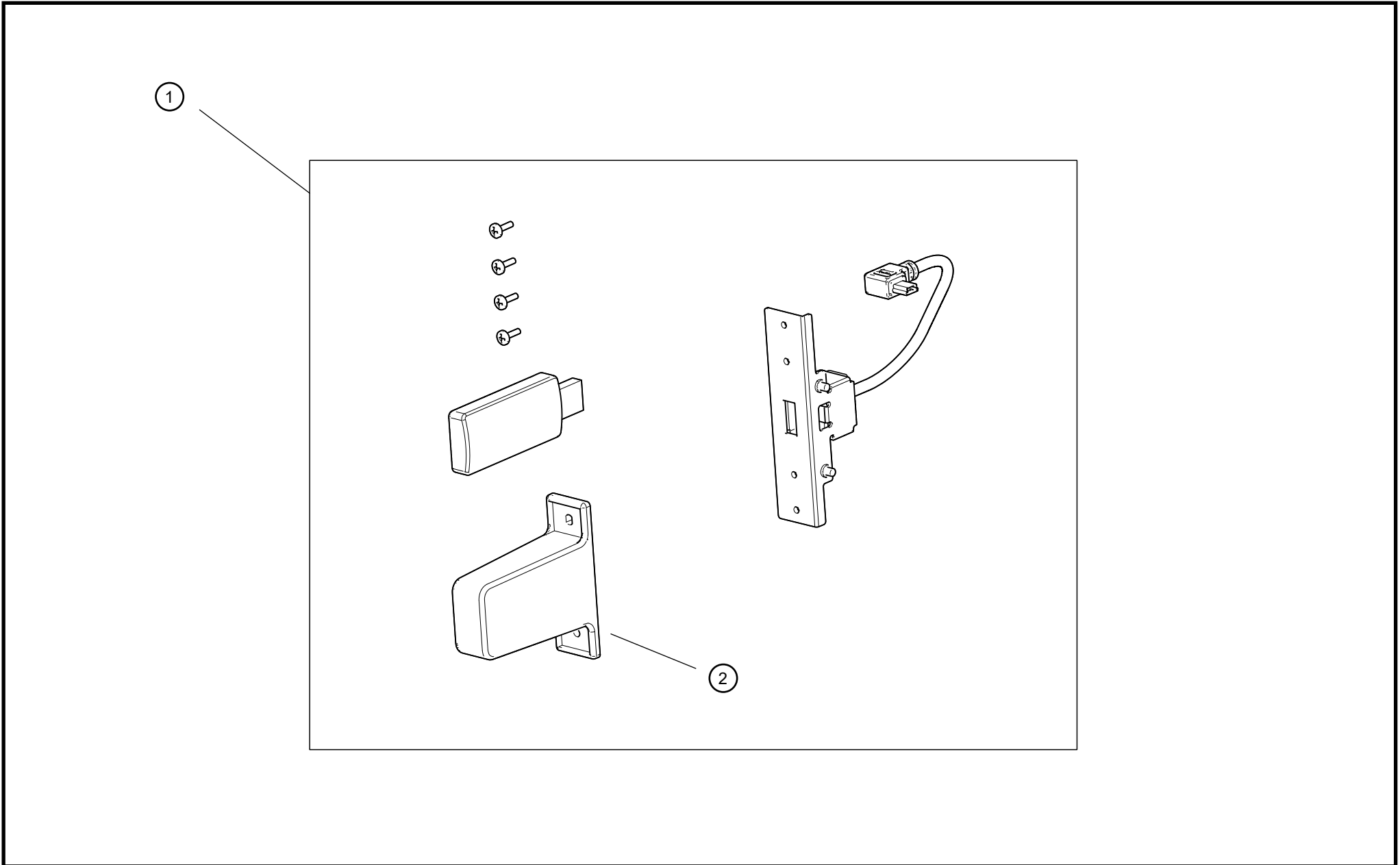
# 13. RTC (BX704-RTC-QM-S)

①



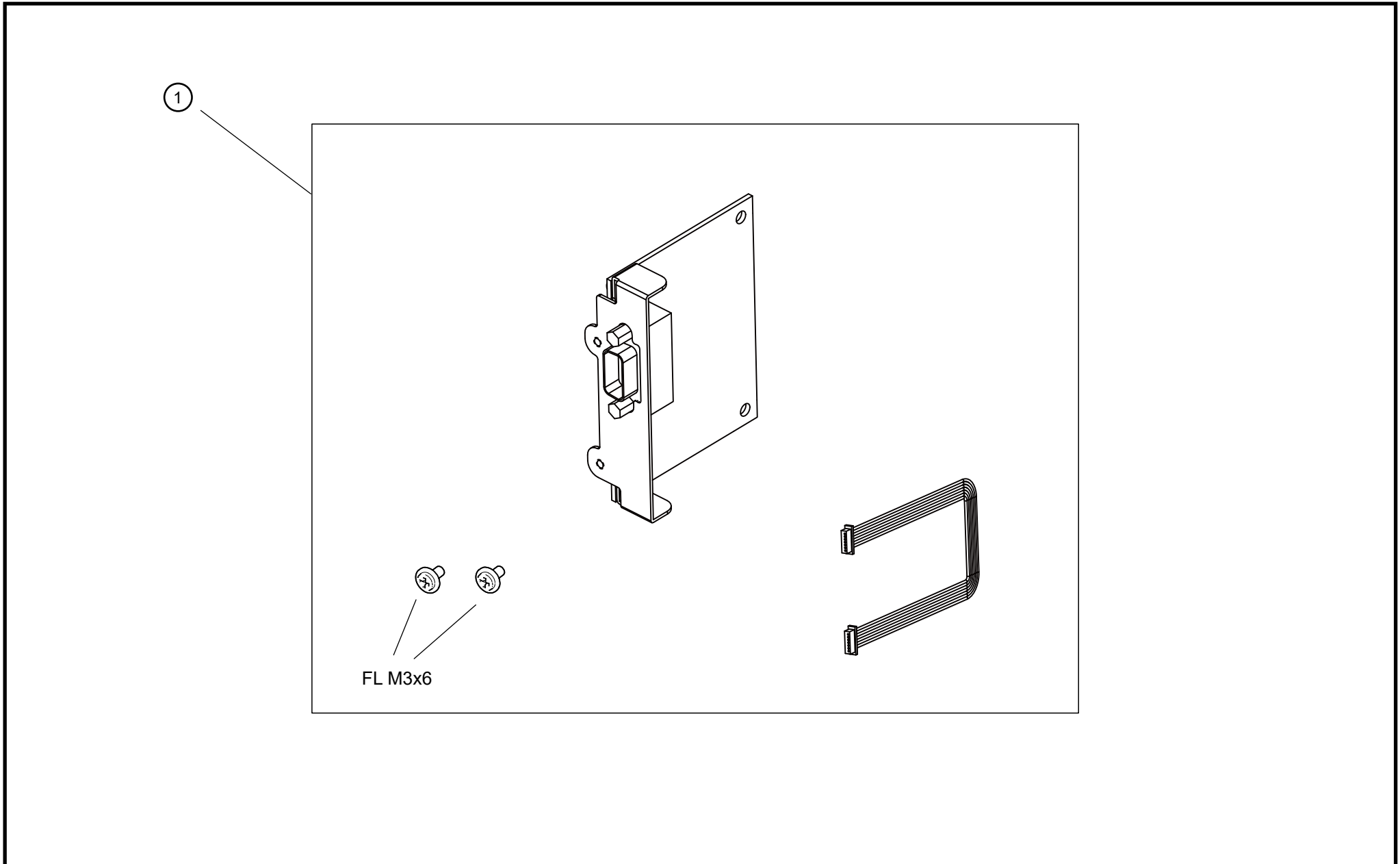


# 14. Wireless Communication module (BX700-WLBT-QM-S)





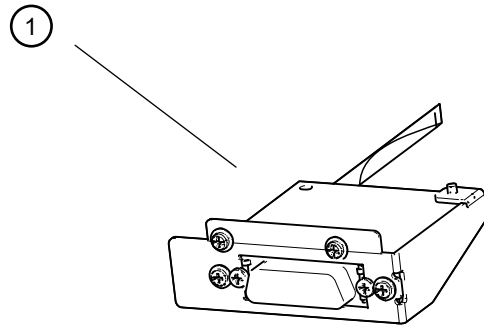
# 15. Serial Interface Board (B-EX700-RS-QM-R)





## 16. Expansion I/O board (BX700-IO-QM-S)

EO8-33041  
BX400 Series Aug., 2024





# 30. OPTIONS

