

**TOSHIBA**

TOSHIBA Barcode Printer

# **BV400D / BV400T SERIES**

## **Parts List**

Document No. SPTM-0328K

Original **Nov., 2020**  
(Revised: Oct., 2023 )

**Toshiba Tec Corporation**

PRINTED IN JAPAN

## TABLE OF CONTENTS

### HOW TO USE THIS PARTS LIST MECHANICAL PARTS

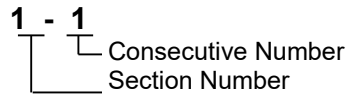
1. BV410D / BV420D Series	-----	1-1
2. BV410D / BV420D Series	-----	2-1
3. BV410D / BV420D Series	-----	3-1
4. BV410D / BV420D Series	-----	4-1
5. BV410T / BV420T Series	-----	5-1
6. BV410T / BV420T Series	-----	6-1
7. BV410T / BV420T Series	-----	7-1
8. BV410T / BV420T Series	-----	8-1

#### **CAUTION!**

- 1. This manual may not be copied in whole or in part without prior written permission of Toshiba Tec Corporation.*
- 2. The contents of this manual may be changed without notification.*

## HOW TO USE THIS PARTS LIST

- 1) Indication of Ref. No.



- 2) Remarks column indicates the following information:

- (1) Interchangeability of parts
- (2) Accessory
- (3) Service part
- (4) Date when the parts are added/deleted/changed
- (5) Minimum order

- 3) The columns from A through J indicate the quantity/unit for each model.

The letters A to J represent the model names which are described in the foot note.

- 4) The recommended parts column indicates the recommendation of parts stock.

	Q'ty/100 Units
Class A -----	10
Class B -----	7
Class C -----	5
Class D -----	3
Class E -----	1

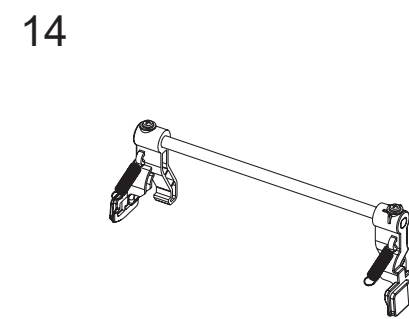
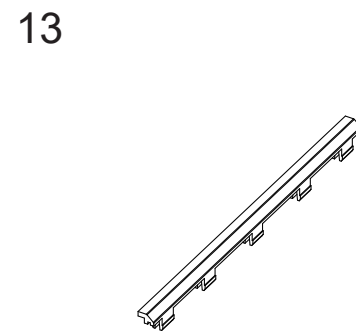
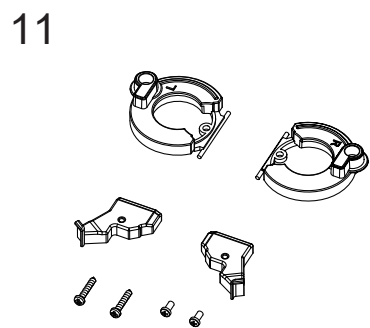
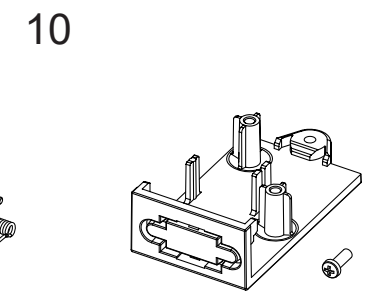
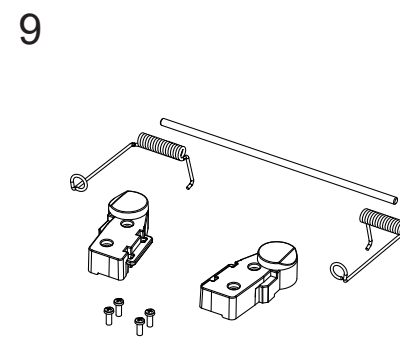
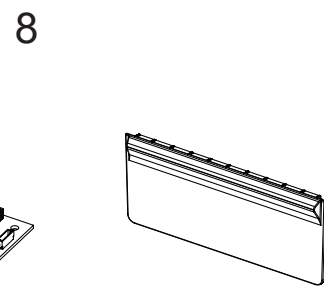
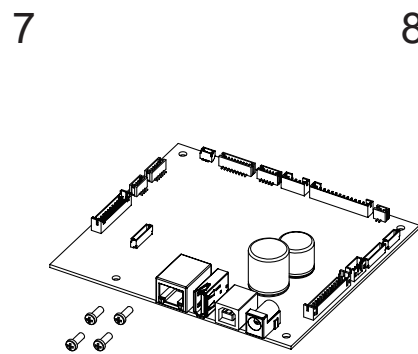
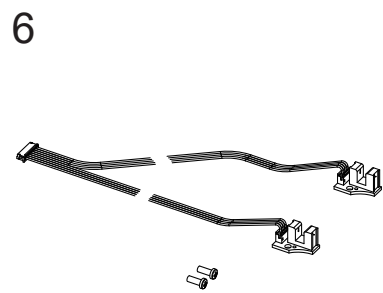
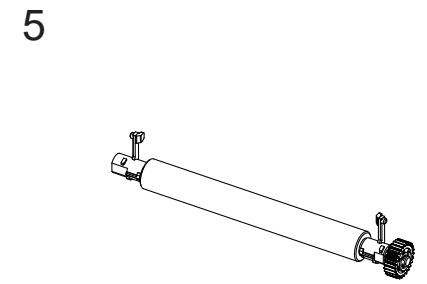
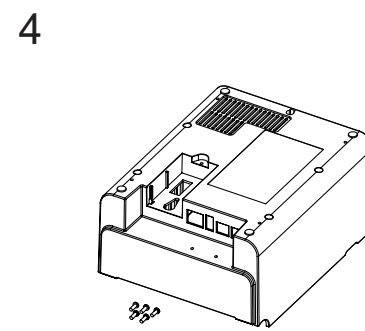
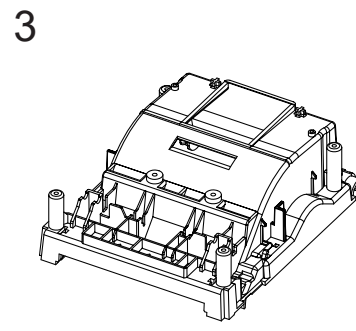
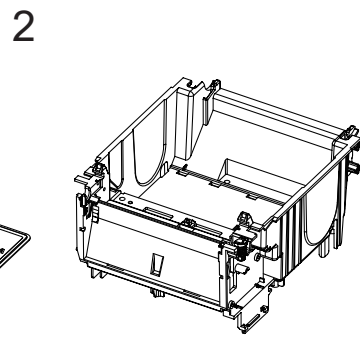
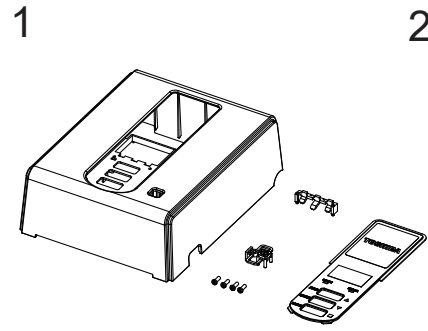
- 5) As a rule, parts not listed in this parts list cannot be ordered and we will not be responsible for problems concerning these parts.

### **NOTES:**

1. The parts shown in this list may be modified by Toshiba Tec together with issuing the parts information, if necessary.
2. The illustrations in this parts list are provided for reference and may be different from the actual parts in shape.
3. Parts with no Ref. No. and quantity are interchangeable parts.

# 1. BV410D / BV420D Series (1)

SPTM-0328  
BV400 SERIES NOV., 2020  
Revised: FEB, 2021



1. BV400 Series (1)

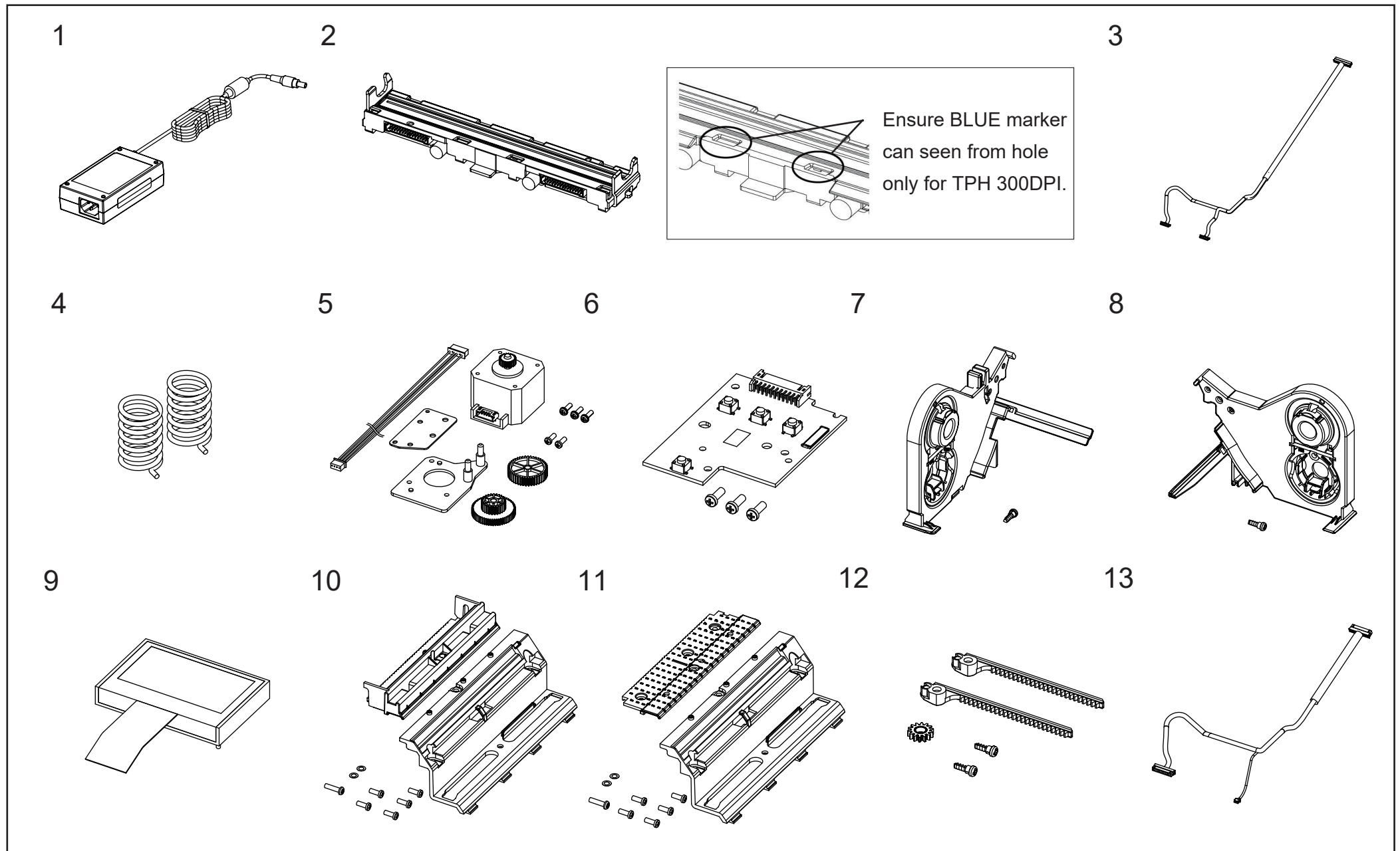
Ref. No.	Part No.	Description	Remarks	MOQ	A	B	C	D	E	F	G	H	I	J	K	Recommended Parts
1-1	7FM07763000	SPRW CV TOP ASM FRU	WHITE, TOSHIBA logo		0	0	0	0	0	1	1	0	0	0	0	
	7FM07764000	SPRW CV TOP ASM FRU	WHITE, TEC logo		1	1	1	1	1	0	0	0	0	0	0	
	7FM07765000	SPRW CV TOP ASM FRU (Top cover assembly)	BLACK, TOSHIBA logo		0	0	0	0	0	0	0	1	1	1	1	
1-2	7FM07776000	SPRW MAIN FRAME FRU (Main frame assembly)			1	1	1	1	1	1	1	1	1	1	1	
1-3	7FM07780000	SPRW BRACKET TOP FRU (Inner frame assembly)			1	1	1	1	1	1	1	1	1	1	1	
1-4	7FM07759000	SPRW CV BTM FRU	WHITE		1	1	1	1	1	1	0-1	0	0	0	0	
	(TBD)	SPRW CV BTM FRU (Bottom cover assembly)	BLACK		0	0	0	0	0	0	4-0	1	1	1	1	
1-5	7FM07753000	SPRW PLATEN ASM 203 FRU	DIA.13.9mm, BLACK		1	0	0	1	0	1	0	1	0	0	1	B
	7FM07754000	SPRW PLATEN ASM 300 FRU	DIA.14.15mm, GRAY		0	1	0	0	1	0	1	0	1	0	0	B
	7FM07755000	SPRW PLATEN ASM FRU (Platen roller)	DIA.13.9mm, RED, Linerless		0	0	1	0	0	0	0	0	0	1	0	B
1-6	7FM07803000	SPRW-CVR-OPEN-SENS-FRU (Cover open sensor)			1	1	1	1	1	1	1	1	1	1	1	B
1-7	<del>7FM07781000</del>	SPRW MAIN CARD FRU			1	1	1	1	1	1	1	1	1	1	4-0	E
	7FM07781100	(Main PC board assembly)	Changed: 10/23 (Note below)		1	1	1	1	1	1	1	1	1	1	1	E
1-8	7FM07756000	SPRW FRT CVR FRU	WHITE		1	1	1	1	1	1	1	0	0	0	0	
	7FM07757000	SPRW FRT CVR FRU (Front panel)	BLACK		0	0	0	0	0	0	0	1	1	1	1	
<p><b>NOTE:</b></p> <p>1) The pre-change PC board (7FM07781000) will be supplied until the stock has been used up.                  For QM models: This board can continue to be used. When the stock runs out, order and use the post-change PC board (7FM07781100).                  For CN models: This board cannot be shipped to China. The post-change PC board (7FM07781100) must be used for CN models.</p> <p>2) When the main PC board is replaced with a new one, please be sure to download the latest firmware.</p>																

A: BV410D-GS02-S B: BV410D-TS02-S C: BV410D-GL02-S D: BV410D-GC02-S E: BV410D-TC02-S F: BV410D-GS02-QM-S G: BV410D-TS02-QM-S H: BV420D-GS02-QM-S  
 I: BV420D-TS02-QM-S J: BV420D-GL02-QM-S K: BV420D-GS02-CN-S



## 2. BV410D / BV420D Series (2)

SPTM-0328  
BV400 SERIES NOV., 2020



2. BV400 Series (2)

SPTM-0328  
 BV400 SERIES NOV., 2020  
 Revised: DEC., 2020

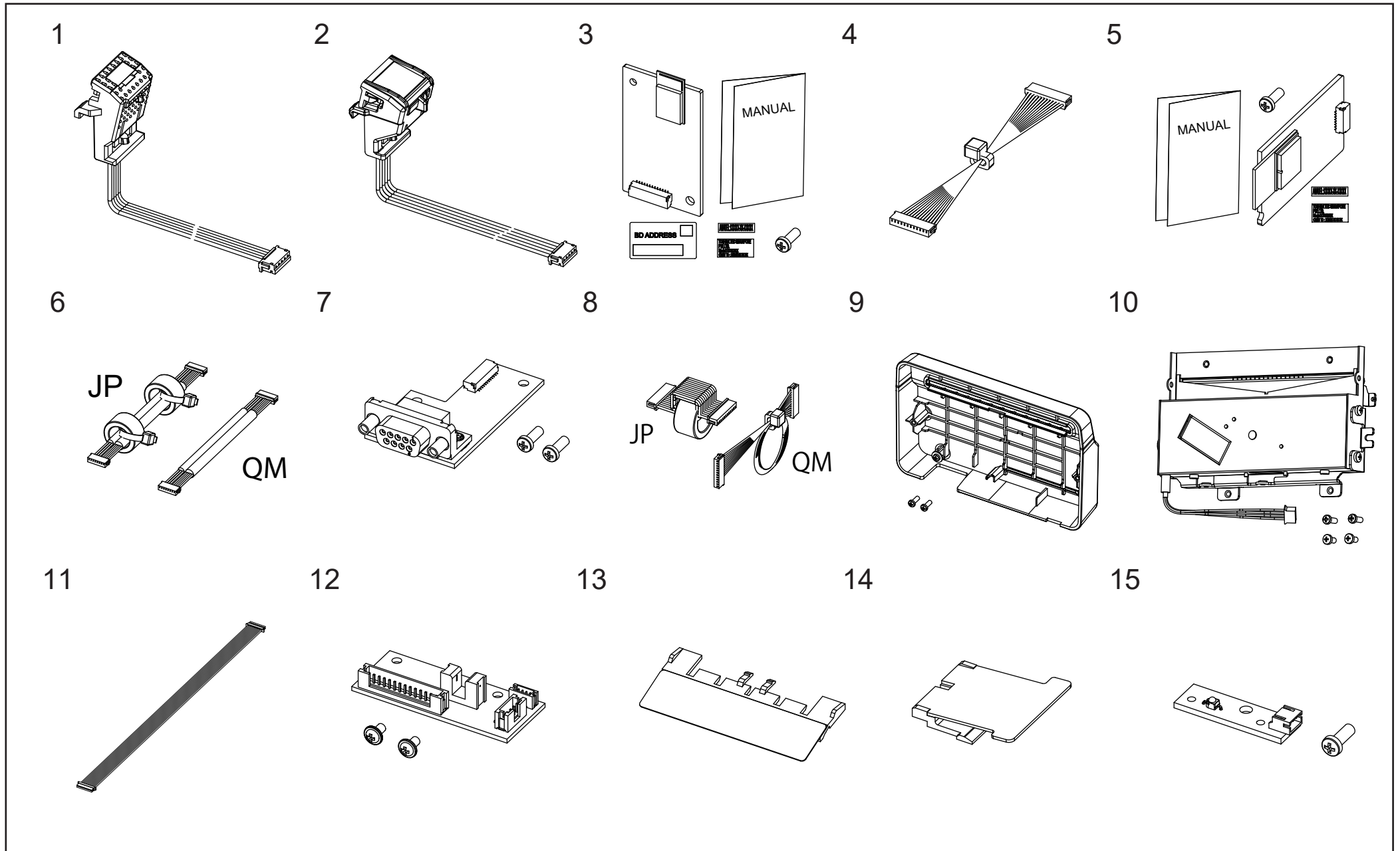
Ref. No.	Part No.	Description	Remarks	MOQ	A	B	C	D	E	F	G	H	I	J	K	Recommended Parts
2-1	7FM07804000	SPRW POWER BRICK FRU (AC adapter)			1	1	1	1	1	1	1	1	1	1	1	E
2-2	7FM07751000	SPRW TPH 203DPI ASM FRU	203 dpi		1	0	1	1	0	1	0	1	0	1	1	A
	7FM07752000	SPRW TPH 300DPI ASM FRU (Thermal head)	300 dpi		0	1	0	0	1	0	1	0	1	0	0	A
2-3	7FM07777000	SPRW HEAD HARNESS FRU	for QM		0	0	0	0	0	1	1	1	1	1	1	
	7FM07911000	SPRW HEAD HARNESS JP FRU (Thermal head harness)	for JP		1	1	1	1	1	0	0	0	0	0	0	
2-4	7FM07778000	SPRW TPH SP FRU (Thermal print head spring)			1	1	1	1	1	1	1	1	1	1	1	
2-5	7FM07766000	SPRW MOTOR FRU (Stepping motor set)			1	1	1	1	1	1	1	1	1	1	1	E
2-6	7FM07761000	SPRW PANEL CARD LCD FRU	with LCD for BV410		1	1	1	1	1	1	1	0	0	0	0	
	7FM07839000	SPRW PANEL CARD WOLCD FRU (Panel switch PC board)	without LCD for BV420		0	0	0	0	0	0	0	1	1	1	1	
2-7	7FM07769000	SPRW HOLDER R DT FRU (Paper roll holder R assembly)			1	1	1	1	1	1	1	1	1	0-1	1	
2-8	7FM07770000	SPRW HOLDER L DT FRU (Paper roll holder L assembly)			1	1	1	1	1	1	1	1	1	0-1	1	
2-9	7FM07762000	SPRW LCD PANEL FRU (LCD panel PC board)	for BV410		1	1	1	1	1	1	1	0	0	0	0	
2-10	7FM07772000	SPRW HOPPER HLD FRU (Hopper holder)			1	1	0	1	1	1	1	1	1	0	1	E
2-11	7FM07773000	SPRW HOPPER HLD(LL) FRU (Hopper holder for linerless model))	for linerless		0	0	1	0	0	0	0	0	0	1	0	
2-12	7FM07840000	SPRW HOPPER RACK FRU (Rack and pinion gear set)			1	1	1	1	1	1	1	1	1	1	1	

A: BV410D-GS02-S B: BV410D-TS02-S C: BV410D-GL02-S D: BV410D-GC02-S E: BV410D-TC02-S F: BV410D-GS02-QM-S G: BV410D-TS02-QM-S H: BV420D-GS02-QM-S  
 I: BV420D-TS02-QM-S J: BV420D-GL02-QM-S K: BV420D-GS02-CN-S



### 3. BV410D / BV420D Series (3)

SPTM-0328  
BV400 SERIES NOV., 2020  
Revised: FEB., 2021



3. BV400 SERIES (3)

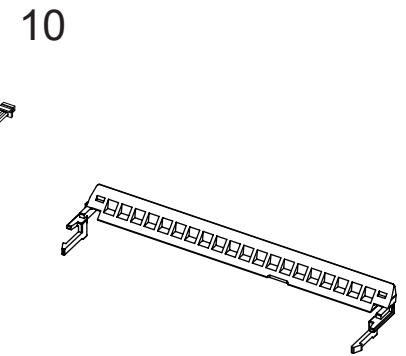
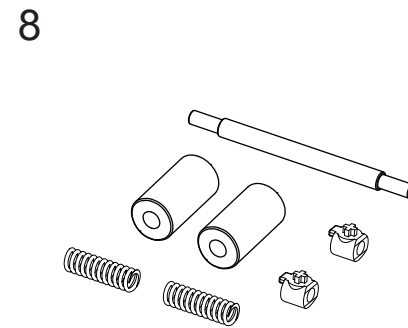
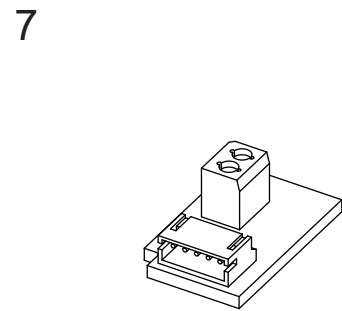
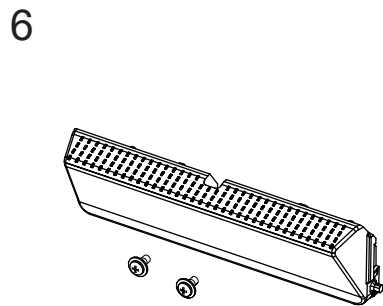
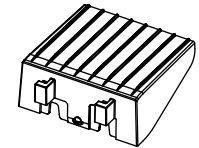
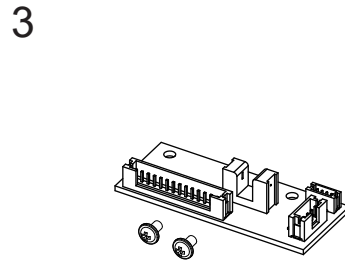
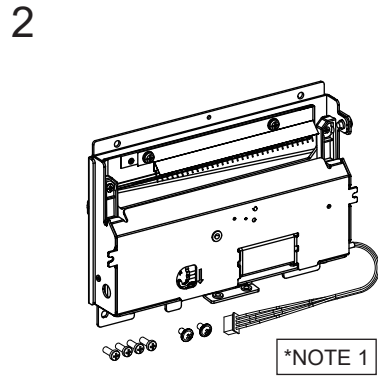
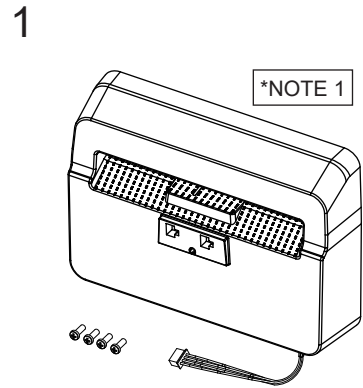
Ref. No.	Part No.	Description	Remarks	MOQ	A	B	C	D	E	F	G	H	I	J	K	Recommended Parts
3-1	7FM07775000	SPRW SENSOR REFLECT LL ASM FRU (Reflect sensor assembly for Linerless model)	for Linerless		0	0	1	0	0	0	0	0	0	1	0	E
3-2	7FM07774000	SPRW SENSOR REFLECT ASM FRU (Reflect sensor assembly)	for stadard		1	1	0	1	1	1	1	1	1	0	1	E
3-3	<del>7FM07782000</del> 7FM07782001	SPRW BT CARD FRU (Bluetooth module)	BV700-BLTH-QM-S		-	-	-	-	-	-	-	-	-	-	-	E
3-4	7FM07791000	SPRW BLUETOOTH HARNESS FRU (BT module harness)	BV700-BLTH-QM-S		-	-	-	-	-	-	-	-	-	-	-	
3-5	<del>7FM07783000</del> 7FM07783001	SPRW WLAN CARD FRU (Wireless LAN module)	BV700-WLAN-QM-S		-	-	-	-	-	-	-	-	-	-	-	E
3-6	7FM07792000 7FM07955000	SPRW WLAN HARNESS FRU SPRW WLAN HARNESS JP FRU (WLAN harness)	BV700-WLAN-QM-S BV700-WLAN-S		-	-	-	-	-	-	-	-	-	-	-	
3-7	7FM07784000	SPRW SERIAL CARD FRU (RS232C I/F card)	BV700-RS-QM-S		-	-	-	-	-	-	-	-	-	-	-	E
3-8	7FM07793000 7FM07957000	SPRW RS232C HARNESS FRU SPRW RS232C HARNES JP FRU (RS232C harness)	BV700-RS-QM-S BV700-RS-S		-	-	-	-	-	-	-	-	-	-	-	
3-9	7FM07785000 7FM07786000	SPRW FP CUTTER COVER FRU SPRW FP CUTTER COVER FRU (Cutter cover for Full/Partial)	BV214-F-QM-S, BV214-P-QM-S BV224-F-QM-S, BV224-P-QM-S		-	-	-	-	-	-	-	-	-	-	-	
3-10	7FM07787000 7FM07907000 7FM07908000	SPRW CUTTER OYA FRU SPRW CUTTER OYA PLT FRU *1 SPRW CUTTER OYA LBL FRU *1 (Cutter unit)	BV214-F-QM-S, BV224-F-QM-S BV214-P-QM-S, BV224-P-QM-S label cutter for JP		-	-	-	-	-	-	-	-	-	-	-	E E E
<p>Note *1                      A "P" mark sticker is attached to the partial type cutter.                      A sticker with the "L" mark is attached to the label cutter for JP.</p>																

A: BV410D-GS02-S B: BV410D-TS02-S C: BV410D-GL02-S D: BV410D-GC02-S E: BV410D-TC02-S F: BV410D-GS02-QM-S G: BV410D-TS02-QM-S H: BV420D-GS02-QM-S  
 I: BV420D-TS02-QM-S J: BV420D-GL02-QM-S K: BV420D-GS02-CN-S



# 4. BV410D / BV420D Series (4-1)

SPTM-0328  
BV400 SERIES NOV., 2020  
Revised: AUG., 2023



11

**CALIFORNIA PROPOSITION 65 WARNING**

**WARNING:**

This product can expose you to chemicals including 1, 3-Dichloro-2-propanol, which is/are known to the State of California to cause cancer.

For more information go to:  
[www.P65Warnings.ca.gov](http://www.P65Warnings.ca.gov)

4. BV400 Series (4)

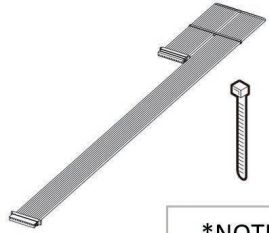
SPTM-0328  
 BV400 SERIES NOV., 2020  
 Revised: SEP., 2022

Ref. No.	Part No.	Description	Remarks	MOQ	A	B	C	D	E	F	G	H	I	J	K	Recommended Parts
4-1	7FM07800000	SPRW LL CUTTER CVR FRU	for Linerless (White)		-	-	-	-	-	-	-	-	-	-	-	
	7FM07916000	SPRW LL CUTTER CVR B FRU	for Linerless (Black) Added: 12/20		-	-	-	-	-	-	-	-	-	-	-	
	7FM08352100	SPRW-LL-CUTTER-CVRN-FRU-W	for Linerless (White) Added: 9/22		-	-	-	-	-	-	-	-	-	-	-	
	7FM08352000	SPRW-LL-CUTTER-CVRN-FRU-B (Linerless cutter cover)	for Linerless (Black) Added: 9/22		-	-	-	-	-	-	-	-	-	-	-	
4-2	<del>7FM07801000</del>	<del>SPRW LL CUTTER FRU</del>	for Linerless		0	0	1	0	0	0	0	0	0	1	0	E
	7FM08350000	SPRW-LL-CUTTER-FRU (Linerless cutter unit)	Changed: 9/22													
4-3	<del>7FM07841000</del>	<del>SPRW LL CUTTER SUB CARD FRU</del>	for Linerless		0	0	1	0	0	0	0	0	0	1	0	
	7FM08117000	SPRW-LL-CUT-SUB-CARD-FRU (Cutter SUB PC borad for Linerless)	Changed: 12/21													
4-4	7FM07788000	SPRW CUTTER HARNESS FRU (Cutter harness)	for cutter model		0	0	4 0	1	1	0	0	0	0	4 0	0	
4-5	7FM07802000	EV4 LABEL TABLE FRU	for Linerless (White) (Black) Corrected: 2/21		-	-	-	-	-	-	-	-	-	-	-	
	7FM07910000	SPRW EV4 LABEL TABL N FRU (Label table for Linerless)	for Linerless (Black) Added: 12/20 Deleted: 2/21		-	-	-	-	-	-	-	-	-	-	-	
4-6	7FM07794000	SPRW P OFF CVR FRU	BV924-H-QM-S (Black)		-	-	-	-	-	-	-	-	-	-	-	
	7FM07795000	SPRW P OFF CVR FRU (Peel off cover)	BV914-H-QM-S (White)		-	-	-	-	-	-	-	-	-	-	-	
4-7	7FM07796000	SPRW PEEL OFF CARD FRU (Peel off drive board)	BV914-H, BV924-H		-	-	-	-	-	-	-	-	-	-	-	
4-8	7FM07797000	SPRW PEELOFF PARTS FRU (Peel off roller)	BV914-H, BV924-H		-	-	-	-	-	-	-	-	-	-	-	
4-9	7FM07798000	SPRW LABEL TAKE SENS HARNESS FRU (Peel off unit harness)	BV914-H, BV924-H		-	-	-	-	-	-	-	-	-	-	-	
4-10	7FM07799000	SPRW P OFF BAR FRU (Peel off bar)	BV914-H, BV924-H		-	-	-	-	-	-	-	-	-	-	-	
4-11	7FM07963000	SPRW PROPOSIT65 LBL FRU (California proposition65 WARNING label)	California Proposition65 WARING		-	-	-	-	-	-	-	-	-	-	-	

A: BV410D-GS02-S B: BV410D-TS02-S C: BV410D-GL02-S D: BV410D-GC02-S E: BV410D-TC02-S F: BV410D-GS02-QM-S G: BV410D-TS02-QM-S H: BV420D-GS02-QM-S  
 I: BV420D-TS02-QM-S J: BV420D-GL02-QM-S K: BV420D-GS02-CN-S

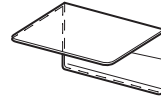
# 4. BV410D / BV420D Series (4-2)

12



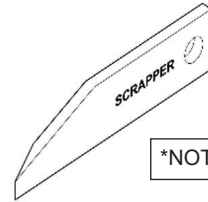
\*NOTE 1

13



\*NOTE 2

14

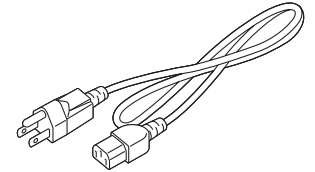


\*NOTE 3

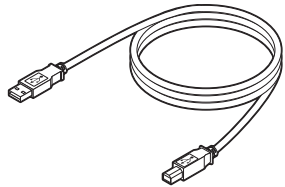
15



16



17



4. BV400 Series (4)

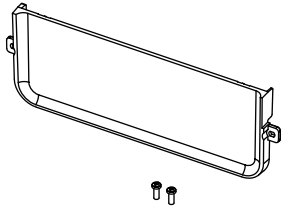
Ref. No.	Part No.	Description	Remarks	MOQ	A	B	C	D	E	F	G	H	I	J	K	Recommended Parts
4-12	7FM07974000 7FM08353000	SPRW CUTTER HARNS-LL-FRU SPRW-HARNS-LL-FRU (Cutter harness for Linerless model)	for Linerless Added: 12/20 Changed: 9/22		0	0	1	0	0	0	0	0	0	1	0	
4-13	7FM08419000	SHEET – CUTTER-EXIT-FRU (Tikect support spring)	Added: 4/23 Refer to BSI #G23D998		-	-	-	-	-	-	-	-	-	-	-	
4-14	0TSHB0017703F	EV4 SCRAPER FRU (ROHS) BULK PACK (Scraper for Linerless cutter unit)	Added: 7/23		0	0	0	0	0	0	0	0	0	1	0	
4-15	7KF01584100	THERMAL HEAD CLEANER (Thermal Head cleaner)	Added: 7/23		-	-	-	-	-	-	-	-	-	-	-	
4-16	7FM08434000 7FM06867000	POWER_CABLE_BK RX4T-POWER-CABLE-JP-FRU (Power Cable)	Added: 8/23 for JP model		0	0	0	0	0	0	0	0	0	1	0	
4-17	7FM08435000	USB A-B PLUG CABLE (USB Cable)	Added: 8/23		0	0	0	0	0	0	0	0	0	1	0	
<p>*NOTE 1                      From September 2022, the #1 cutter cover, #2 cutter module, and #12 cutter harness have been improved/changed. It cannot be used in combination with parts manufactured before August.</p> <p>*NOTE 2                      Added as auxiliary tool when issuing cuts in April 2023. (BSI#G23D998)</p> <p>*NOTE 3                      MOQ=1,000 pcs. (With individual packing 5pcs. each) is set for this spare part.</p>																

A: BV410D-GS02-S B: BV410D-TS02-S C: BV410D-GL02-S D: BV410D-GC02-S E: BV410D-TC02-S F: BV410D-GS02-QM-S G: BV410D-TS02-QM-S H: BV420D-GS02-QM-S  
 I: BV420D-TS02-QM-S J: BV420D-GL02-QM-S K: BV420D-GS02-CN-S

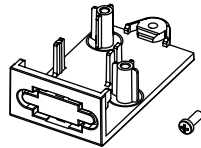
# 5. BV410T / BV420T Series

SPTM-0328  
 BV400 SERIES NOV., 2020  
 Revised: DEC., 2022

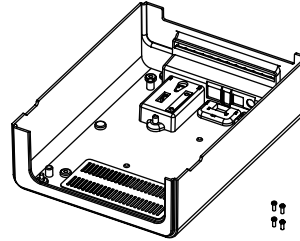
1



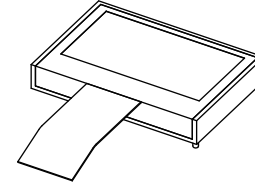
2



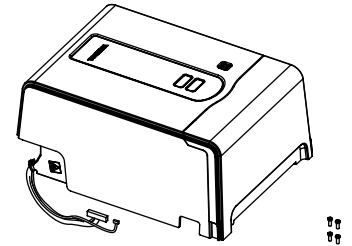
3



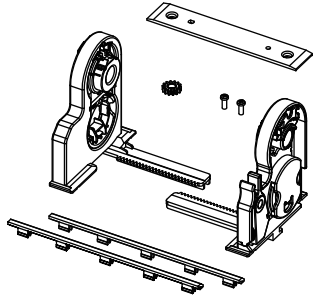
4



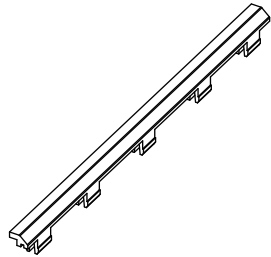
5



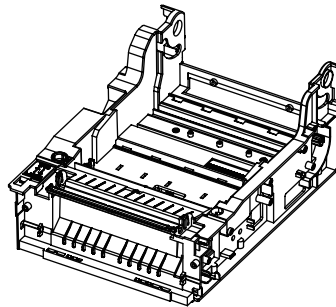
6



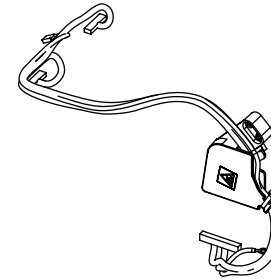
7



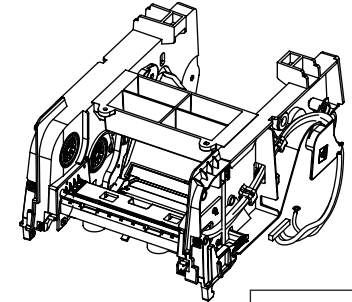
8



9

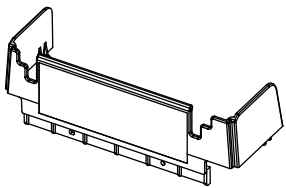


10

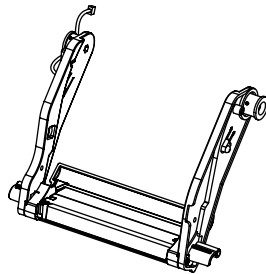


\*NOTE 1

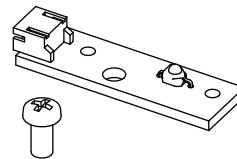
11



12



13



Note 1:  
 #5-10 subframe includes media damper, ribbon gear,  
 ribbon encode sensor and headsprings.  
 Service parts for Japan include multiple frite cores.

5. BV410T / BV420T Series

SPTM-0328  
 BV400 SERIES NOV., 2020  
 Revised DEC., 2022

Ref. No.	Part No.	Description	Remarks	MOQ	A	B	C	D	E	F	G	H	I	J	K	L	Recommended Parts
5-1	6LB61704000	ASYB-COV-FRT-BVT-BLK-FRU	Black		0	0	0	0	0	0	0	0	1	1	1	1	
	6LB61705000	ASYB-COV-FRT-BVT-WHI-FRU (Front panel)	White		1	1	1	1	1	1	1	1	0	0	0	0	
5-2	7FM07758000	SPRW-SERIAL-CVR-FRU (Serial I/F cover)			1	1	1	1	1	1	1	1	1	1	1	1	
5-3	6LB61706000	ASYB-COV-BTM-BVT-BLK-FRU	Black		0	0	0	0	0	0	0	0	1	1	1	1	
	6LB61707000	ASYB-COV-BTM-BVT-WHI-FRU (Bottom cover assembly)	White		1	1	1	1	1	1	1	1	0	0	0	0	
5-4	7FM07762000	SPRW-LCD-PANEL-FRU (LCD panel PC board)	for BV410T		1	1	1	1	1	1	1	1	0	0	0	0	
5-5	6LB61708000	ASYB-COV-TOP-BVT-B-FRU	Black, with TOSHIBA logo		0	0	0	0	0	0	0	0	1	1	1	1	
	6LB61709000	ASYB-COV-TOP-BVT-W-FRU	White, with TOSHIBA logo		1	1	1	1	1	1	0	0	0	0	0	0	
	6LB61710000	ASYB-COV-TOP-BVT-W-JP-FRU (Top cover assembly)	White, with TEC logo		0	0	0	0	0	0	1	1	0	0	0	0	
5-6	6LB61714000	ASYB-HLDR-LR-BVT-FRU (Paper roll holder assembly)			1	1	1	1	1	1	1	1	1	1	1	1	
5-7	7FM07771000	SPRW-HOPPER-HLD-R-FRU (Hopper holder)			1	1	1	1	1	1	1	1	1	1	1	1	
5-8	6LB61717000	FRAME-MAIN-BVT-FRU (Main frame assembly)			1	1	1	1	1	1	1	1	1	1	1	1	
5-9	6LB61718000	ASYS-HRNS-HEAD-BVT-FRU	for QM model		1	1	1	1	1	1	0	0	1	1	1	1	
	6LB61719000	ASYS-HRNS-HEAD-BVT-JP-FRU (Thermal head harness)	for JP model		0	0	0	0	0	0	1	1	0	0	0	0	
5-10	6LB61723000	ASYB-SUB-FRAME-BVT-FRU	for QM model		1	1	1	1	1	1	0	0	1	1	1	1	
	6LB61724000	ASYB-SUB-FRAME-BVT-JP2FRU	for JP model (203dpi)		0	0	0	0	0	0	1	1	0	0	0	0	
	6LB61760000	ASYB-SUB-FRAME-BVT-JP3FRU (Sub frame assembly)	for JP model (300dpi)		-	-	-	-	-	-	-	-	-	-	-	-	
5-11	6LB61740000	COV-TOP-HINGE-BVT-FRU (Hinge cover)	for JP model		0	0	0	0	0	0	1	1	0	0	0	0	

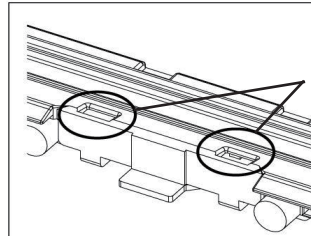
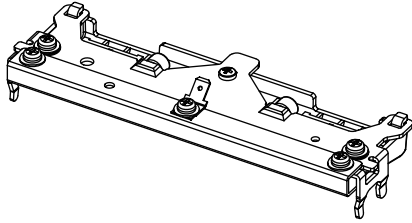
A: BV410T-GS02-QM-S B: BV410T-GS02-CN-S C: BV410T-GS02-S D: BV410T-GC02-S E: BV410T-TS02-QM-S F: BV410T-TS02-CN-S G: BV410T-TS02-S H: BV410T-TC02-S □  
 I: BV420T-GS02-QM-S J: BV420T-GS02-CN-S K: BV420T-TS02-QM-S L: BV420T-TS02-CN-S



# 6. BV410T / BV420T Series (1)

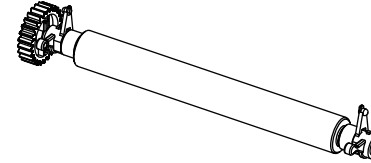
SPTM-0328  
BV400 SERIES NOV., 2020  
Revised: OCT., 2022

1

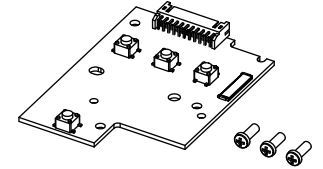


Ensure BLUE marker  
can be seen from hole  
only for TPH 300DPI.

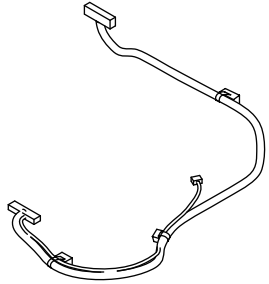
2



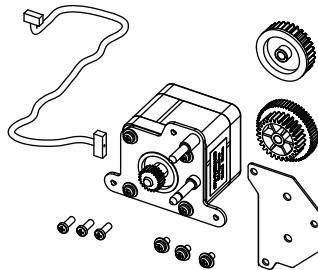
3



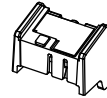
4



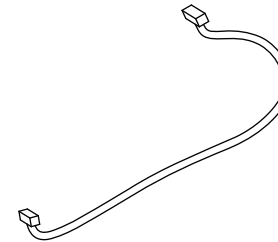
5



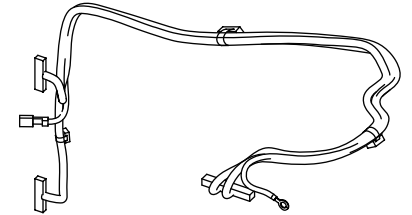
6



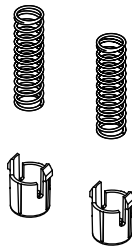
7



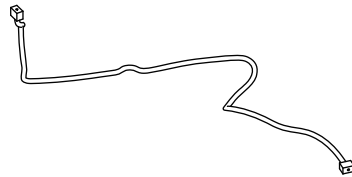
8



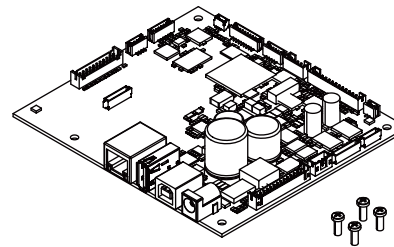
9



10



11



6. BV400T Series (1)

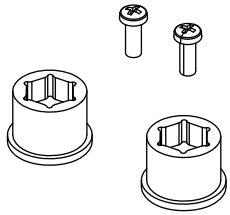
Ref. No.	Part No.	Description	Remarks	MOQ	A	B	C	D	E	F	G	H	I	J	K	L	Recommended Parts
6-1	6LB61700000	ASYB-TPH2-BVT-FRU	203 dpi		1	1	1	1	0	0	0	0	1	1	1	1	
	6LB61701000	ASYB-TPH3-BVT-FRU (Thermal head)	300 dpi		0	0	0	0	1	1	1	1	0	0	0	0	
6-2	6LB61702000	ASYB-PLATEN2-BVT-FRU	for G models : Black		1	1	1	1	0	0	0	0	1	1	1	1	
	6LB61703000	ASYB-PLATEN3-BVT-FRU (Platen roller)	for T models : Gray		0	0	0	0	1	1	1	1	0	0	0	0	
6-3	7FM07761000	SPRW-PANEL-CARD-LCD-FRU	with LCD for BV410T		1	1	1	1	1	1	1	1	0	0	0	0	
	7FM07839000	SPRW-PANEL-CARD-WOLCD-FRU (Panel switch PC board)	without LCD for BV420T		0	0	0	0	0	0	0	0	1	1	1	1	
6-4	6LB61711000	HRNS-PANEL-410-BVT-FRU	for BV410T		1	1	1	1	1	1	1	1	0	0	0	0	
	6LB61712000	HRNS-PANEL-420-BVT-FRU (Panel switch harness)	for BV420T		0	0	0	0	0	0	0	0	1	1	1	1	
6-5	6LB61713000	ASYB-FEED-MTR-BVT-FRU (Stepping motor set)			1	1	1	1	1	1	1	1	1	1	1	1	
6-6	6LB61715000	ASYB-SENS-REF-BVT-FRU (Reflect sensor assembly)			1	1	1	1	1	1	1	1	1	1	1	1	
6-7	6LB61716000	HRNS-BMSENS-BVT-FRU (Reflect sensor harness)			1	1	1	1	1	1	1	1	1	1	1	1	
6-8	6LB61720000	HRNS-HEAD-BVT-FRU	for QM model		1	1	1	1	1	1	0	0	1	1	1	1	
	6LB61721000	HRNS-HEAD-BVT-JP-FRU (Thermal head harness)	for JP model		0	0	0	0	0	0	1	1	0	0	0	0	
6-9	6LB61722000	ASYB-SPG-HEAD-SET-BVT-FRU (Thermal head spring)			1	1	1	1	1	1	1	1	1	1	1	1	
6-10	6LB61725000	HRNS-SENS-TRNS-BVT-FRU (Transmissive sensor (upper) harness)			1	1	1	1	1	1	1	1	1	1	1	1	
6-11	6LB61726000	MAIN-CARD-AK-BVT-FRU (Main PC board assembly)			1	1	1	1	1	1	1	1	1	1	1	1	
		Note: When the MAIN PC Board (Ref. No. 6-11) is replaced with a new one, please be sure to download the latest															

A: BV410T-GS02-QM-S B: BV410T-GS02-CN-S C: BV410T-GS02-S D: BV410T-GC02-S E: BV410T-TS02-QM-S F: BV410T-TS02-CN-S G: BV410T-TS02-S H: BV410T-TC02-S  
I: BV420T-GS02-QM-S J: BV420T-GS02-CN-S K: BV420T-TS02-QM-S L: BV420T-TS02-CN-S

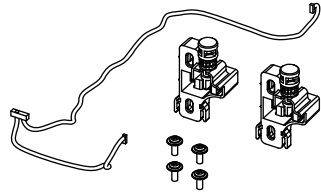
# 6. BV410T / BV420T Series (2)

SPTM-0328  
BV400 SERIES NOV., 2020  
Revised: OCT., 2022

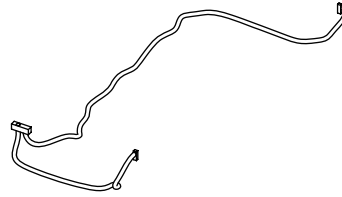
12



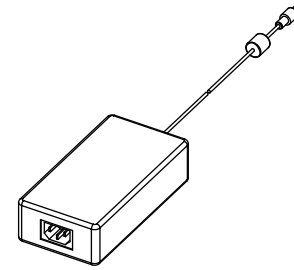
13



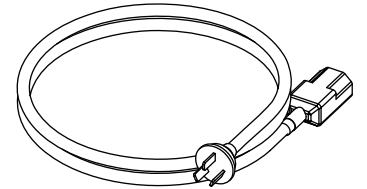
14



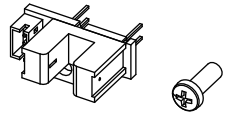
15



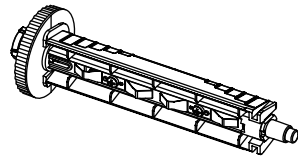
16



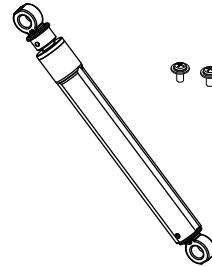
17



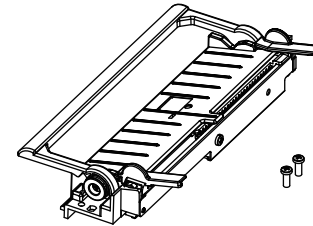
18



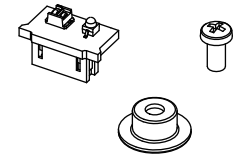
19



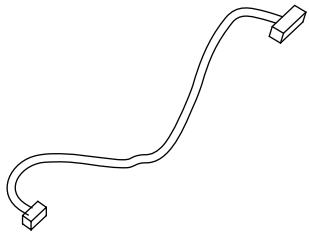
20



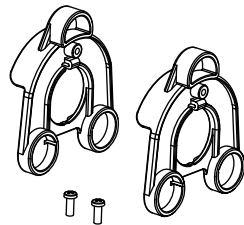
21



22



23



6. BV410T /BV420T Series (2)

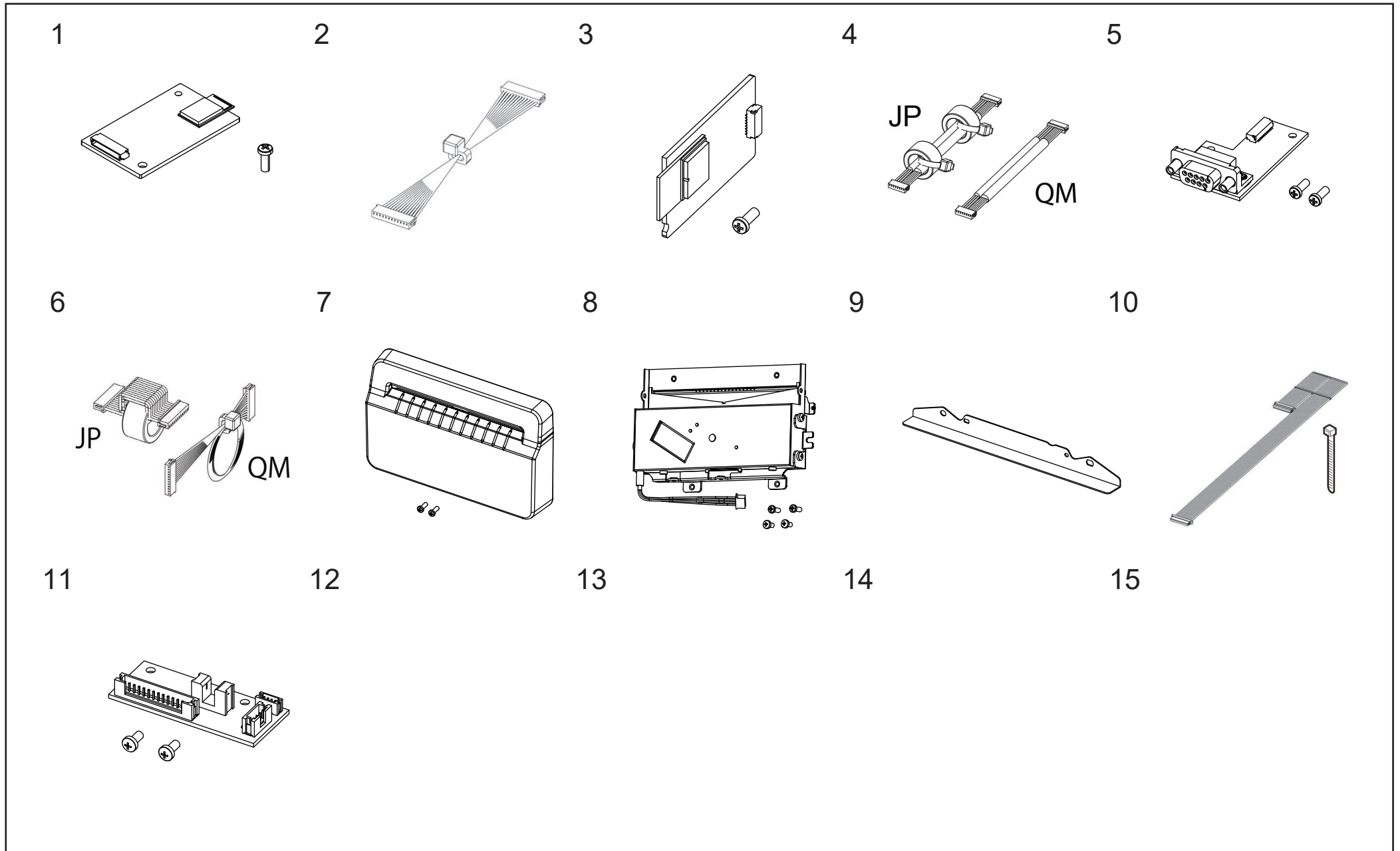
SPTM-0328  
 BV400 SERIES NOV., 2020  
 Revised: OCT., 2022

Ref. No.	Part No.	Description	Remarks	MOQ	A	B	C	D	E	F	G	H	I	J	K	L	Recommended Parts
6-12	6LB61727000	HINGE-BUSH-SET-BVT-FRU (Hinge bush set)			1	1	1	1	1	1	1	1	1	1	1	1	
6-13	6LB61735000	ASYB-MOUNT-SENS-BVT-FRU (Cover open sensor assembly)			1	1	1	1	1	1	1	1	1	1	1	1	
6-14	6LB61736000	HRNS-HEAD-OPEN-BVT-FRU (Cover open sensor harness)			1	1	1	1	1	1	1	1	1	1	1	1	
6-15	6LB61750000	AC-ADAPTER-BVT-FRU (AC Adapter)			1	1	1	1	1	1	1	1	1	1	1	1	
6-16	7FM06867000	RX4T-POWER-CABLE-JP-FRU	for JP model		0	0	0	0	0	0	1	1	0	0	0	0	
	6LB61754000	CABLE-POWER-JA-CN-FRU (Power cable)	for CN model		0	1	0	0	0	1	0	0	0	1	0	1	
6-17	6LB61747000	SLIT-SENS-BVT-FRU (Ribbon encoded sensor)			1	1	1	1	1	1	1	1	1	1	1	1	
6-18	6LB61737000	ASYB-SPOOL-RBN-BVT-FRU (Ribbon spool set)			2	2	2	2	2	2	2	2	2	2	2	2	
6-19	6LB61738000	ASYB-DMPR-COV-BVT-FRU (Air damper)			1	1	1	1	1	1	1	1	1	1	1	1	
6-20	6LB61739000	ASYB-GUIDE-PAPER-BVT-FRU (Paper guide block)			1	1	1	1	1	1	1	1	1	1	1	1	
6-21	6LB61748000	ACYB-SENS-TRS-BVT-FRU (Transmissive sensor (lower))			1	1	1	1	1	1	1	1	1	1	1	1	
6-22	6LB61749000	HRNS-SENS-TRS-BVT-FRU (Transmissive sensor harness)			1	1	1	1	1	1	1	1	1	1	1	1	
6-23	6LB61744000	HLDR-3INCH-SET-BVT-FRU (Adapter set for 3-inch paper core)			1	1	1	1	1	1	1	1	1	1	1	1	

A: BV410T-GS02-QM-S B: BV410T-GS02-CN-S C: BV410T-GS02-S D: BV410T-GC02-S E: BV410T-TS02-QM-S F: BV410T-TS02-CN-S G: BV410T-TS02-S H: BV410T-TC02-S  
 I: BV420T-GS02-QM-S J: BV420T-GS02-CN-S K: BV420T-TS02-QM-S L: BV420T-TS02-CN-S

# 7. BV410T / BV420T Series

SPTM-0328  
BV400 SERIES NOV., 2020  
Revised: OCT., 2022



7. BV410T /BV420T Series

SPTM-0328  
 BV400 SERIES NOV., 2020  
 Revised: OCT., 2022

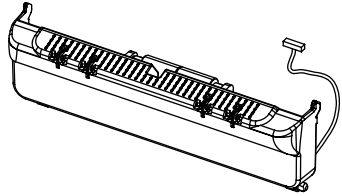
Ref. No.	Part No.	Description	Remarks	MOQ	A	B	C	D	E	F	G	H	I	J	K	L	Recommended Parts
7-1	6LB61746000	ASYS-BLTH-BVT-JP-FRU (Bluetooth module)	BV700T-H-QM-S		-	-	-	-	-	-	-	-	-	-	-	-	
7-2	7FM07791000	SPRW-BT-HARNESS-FRU (Bluetooth module harness)	BV700T-H-QM-S		-	-	-	-	-	-	-	-	-	-	-	-	
7-3	7FM07783001	SPRW-WLAN-CARD-FRU (Wireless LAN module)	BV700-WLAN-QM-S		-	-	-	-	-	-	-	-	-	-	-	-	
7-4	7FM07792000	SPRW-WLAN-HARNESS-FRU	BV700-WLAN-QM-S		-	-	-	-	-	-	-	-	-	-	-	-	
	7FM07955000	SPRW-WLAN-HARNESS-JP-FRU (Wireless LAN module harness)	BV700-WLAN-S		-	-	-	-	-	-	-	-	-	-	-	-	
7-5	7FM07784000	SPRW-SERIAL-CARD-FRU (RS232C I/F card)	BV700-RS-QM-S		-	-	-	-	-	-	-	-	-	-	-	-	
7-6	7FM07793000	SPRW-RS232C-HARNESS-FRU	BV700-RS-QM-S		-	-	-	-	-	-	-	-	-	-	-	-	
	7FM07957000	SPRW-RS232C-HARNS-JP-FRU (RS232C I/F card harness)	BV700-RS-S		-	-	-	-	-	-	-	-	-	-	-	-	
7-7	7FM07785000	SPRW-FP-CUTTER-COVER-FRU	BV214-F / BV214-P (white)		-	-	-	-	-	-	-	-	-	-	-	-	
	7FM07786000	SPRW-FP-CUTTER-COVER-FRU (Cutter cover)	BV224-F / BV224-P (black)		-	-	-	-	-	-	-	-	-	-	-	-	
7-8	7FM07787000	SPRW-CUTTER-OYA-FRU	BV214-F / BV224-F (full cut)		-	-	-	-	-	-	-	-	-	-	-	-	
	7FM07907000	SPRW-CUTTER-OYA-PTL-FRU	BV214-P / BV224-P (partial cut)		-	-	-	-	-	-	-	-	-	-	-	-	
	7FM07908000	SPRW-CUTTER-OYA-LBL-FRU (Cutter Unit)	Label cutter for JP model		-	-	-	-	-	-	-	-	-	-	-	-	
7-9	6LB61728000	PLATE-GUIDE-CUTR-BVT-FRU (Paper guide plate)	BV214-F / BV214-P		-	-	-	-	-	-	-	-	-	-	-	-	
7-10	7FM08353000	SPRW-CUTTER-HARNS-LL-FRU (Linerless cutter harness)	for GL (Linerless cutter)		-	-	-	-	-	-	-	-	-	-	-	-	
7-11	7FM07789000	SPRW-CUTTER-SUB-CARD-FRU (Cutter module drive board)	BV214-F/P, BV224-F/P		-	-	-	-	-	-	-	-	-	-	-	-	

A: BV410T-GS02-QM-S B: BV410T-GS02-CN-S C: BV410T-GS02-S D: BV410T-GC02-S E: BV410T-TS02-QM-S F: BV410T-TS02-CN-S G: BV410T-TS02-S H: BV410T-TC02-S  
 I: BV420T-GS02-QM-S J: BV420T-GS02-CN-S K: BV420T-TS02-QM-S L: BV420T-TS02-CN-S

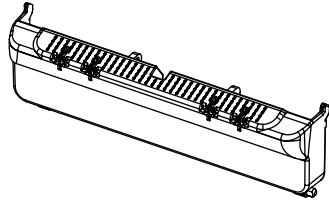
# 8. BV410T / BV420T Series

SPTM-0328  
BV400 SERIES NOV., 2020  
Revised: AUG., 2023

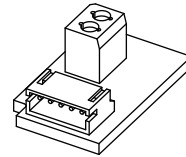
1



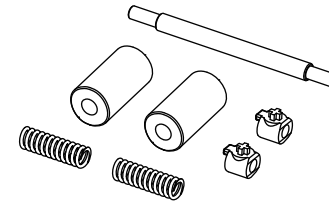
2



3



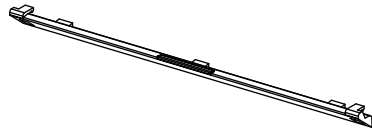
4



5



6



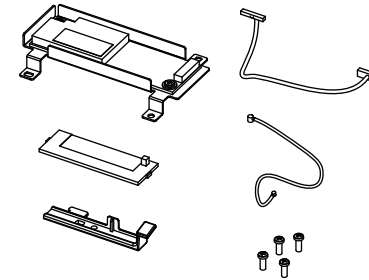
7

**CALIFORNIA PROPOSITION 65 WARNING**  
**WARNING:**  
This product can expose you to chemicals including 1, 3-Dichloro-2-propanol, which is/are known to the State of California to cause cancer.  
For more information go to:  
[www.P65Warnings.ca.gov](http://www.P65Warnings.ca.gov)

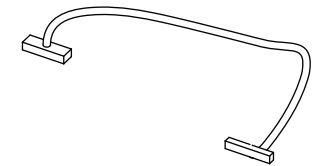
8



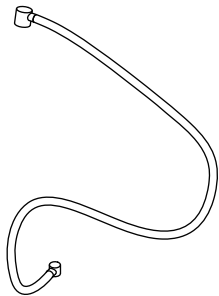
9



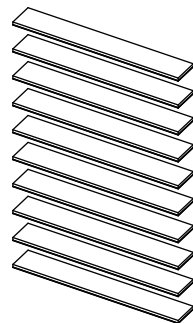
10



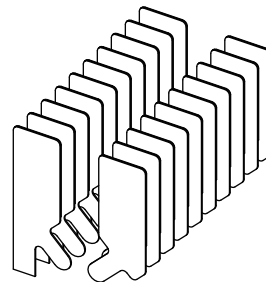
11



12



13



14



8. BV410T / BV420T Series

SPTM-0328  
 BV400 SERIES NOV., 2020  
 Revised: AUG., 202

Ref. No.	Part No.	Description	Remarks	MOQ	A	B	C	D	E	F	G	H	I	J	K	L	Recommended Parts
8-1	6LB61729000	ASYB-COV-PEEL-BVT-B-FRU	BV924T-H-QM-S (black)		-	-	-	-	-	-	-	-	-	-	-	-	
	6LB61730000	ASYB-COV-PEEL-BVT-W-FRU (Peel off module cover with sensor)	BV914T-H-QM-S (white)		-	-	-	-	-	-	-	-	-	-	-	-	
8-2	6LB61731000	COV-PEEL-OPP-BVT-B-FRU	BV924T-H-QM-S (black)		-	-	-	-	-	-	-	-	-	-	-	-	
	6LB61732000	COV-PEEL-OFF-BVT-W-FRU (Peel off module cover)	BV914T-H-QM-S (white)		-	-	-	-	-	-	-	-	-	-	-	-	
8-3	7FM07796000	SPRW-PEEL-OFF-CARD-FRU (Peel off module drive board)	BV914T-H / BV924T-H		-	-	-	-	-	-	-	-	-	-	-	-	
8-4	7FM07797000	SPRW-PEEL-OFF-PARTS-FRU (Peel off module parts)	BV914T-H / BV924T-H		-	-	-	-	-	-	-	-	-	-	-	-	
8-5	7FM07798000	SPRW-LAB-T-SEN-HARN-FRU (Peel off sensor harness)	BV914T-H / BV924T-H		-	-	-	-	-	-	-	-	-	-	-	-	
8-6	6LB61734000	PEEL-OFF-BAR-BVT-FRU (Peel off bar)	BV914T-H / BV924T-H		-	-	-	-	-	-	-	-	-	-	-	-	
8-7	7FM07963000	SPRW-PROPOSIT65-LBL-FRU (California Proposition65 WARNING)			-	-	-	-	-	-	-	-	-	-	-	-	
8-8	W0-00916000	FLOIL-HTM-308-1KG (Maintenance oil)			-	-	-	-	-	-	-	-	-	-	-	-	
8-9	6LB61741000	ASYB-RFID-KIT-BVT-FRU (RFID module)	BV704T-RFID-U4-S (JP model)		-	-	-	-	-	-	-	-	-	-	-	-	
8-10	6LB61742000	HRNS-RFID-BVT-FRU (RFID module harness)	BV704T-RFID-U4-EU/US/AU		-	-	-	-	-	-	-	-	-	-	-	-	
8-11	6LB61743000	CABLE-RFID-ANT-BVT-FRU (RFID module antena harness)	BV704T-RFID-U4-EU/US/AU		-	-	-	-	-	-	-	-	-	-	-	-	
8-12	6LB61762000	PAD-RIBBON-BVT-FRU (Included with external roll stand (10pcs/set))	BV904-PH-QM-S		-	-	-	-	-	-	-	-	-	-	-	-	
8-13	6LB61763000	ASYS-HOOK-HOLDER-BVT-FRU (Sheets included in Paper oll older assembly (10pcs/set x2))			-	-	-	-	-	-	-	-	-	-	-	-	
8-14	6LB61764000	PLATE LABEL 125X43 FRU (Rating nameplate protective film)			-	-	-	-	-	-	-	-	-	-	-	-	

A: BV410T-GS02-QM-S B: BV410T-GS02-CN-S C: BV410T-GS02-S D: BV410T-GC02-S E: BV410T-TS02-QM-S F: BV410T-TS02-CN-S G: BV410T-TS02-S H: BV410T-TC02-S  
 I: BV420T-GS02-QM-S J: BV420T-GS02-CN-S K: BV420T-TS02-QM-S L: BV420T-TS02-CN-S