

TOSHIBA

TOSHIBA Portable Printer

B-FP3D SERIES (Standard model)

Parts List

Document No. **SPTM-0271X**

Original : Nov., 2016

(Revision: Mar., 2022)

Note: The following printers are not supported in this parts list.

B-FP3D-GH30-FE-R (AI, AD, AC, AT)

B-FP3D-GH50/52-WM-R

Toshiba Tec Corporation

TABLE OF CONTENTS

HOW TO USE THIS PARTS LIST

MECHANICAL PARTS

1. PRINTER BK	-----	1-1
2. COVER PAPER BK	-----	2-1
3. BODY BK	-----	3-1
4. FUNCTION UNIT BK 1	-----	4-1
5. FUNCTION UNIT BK 2	-----	5-1
6. PEEL OFF UNIT	-----	6-1
7. OTHER	-----	7-1
8. APPENDIX	-----	8-1

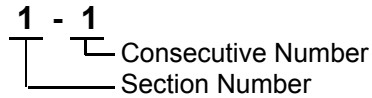
CAUTION!

- 1. This manual may not be copied in whole or in part without prior written permission of Toshiba Tec Corporation.*
- 2. The contents of this manual may be changed without notification.*

Copyright© 2011-2022
by Toshiba Tec Corporation
All Rights Reserved
1-11-1, Osaki, Shinagawa-ku, Tokyo 141-8562,

HOW TO USE THIS PARTS LIST

- 1) Indication of Ref. No.



- 2) Remarks column indicates the following information:

- (1) Interchangeability of parts
- (2) Accessory
- (3) Service part
- (4) Date when the parts are added/deleted/changed
- (5) Minimum order

- 3) The columns from A through K indicate the quantity/unit for each model.

The letters A to K represent the model names which are described in the foot note.

- 4) The recommended parts column indicates the recommendation of parts stock.

	Q'ty/100 Units
Class A -----	10
Class B -----	7
Class C -----	5
Class D -----	3
Class E -----	1

- 5) Miscellaneous parts (screws, washers, etc.) shall be ordered in minimum lots of 100.

- 6) As a rule, parts not listed in this parts list cannot be ordered and we will not be responsible for problems concerning these parts.

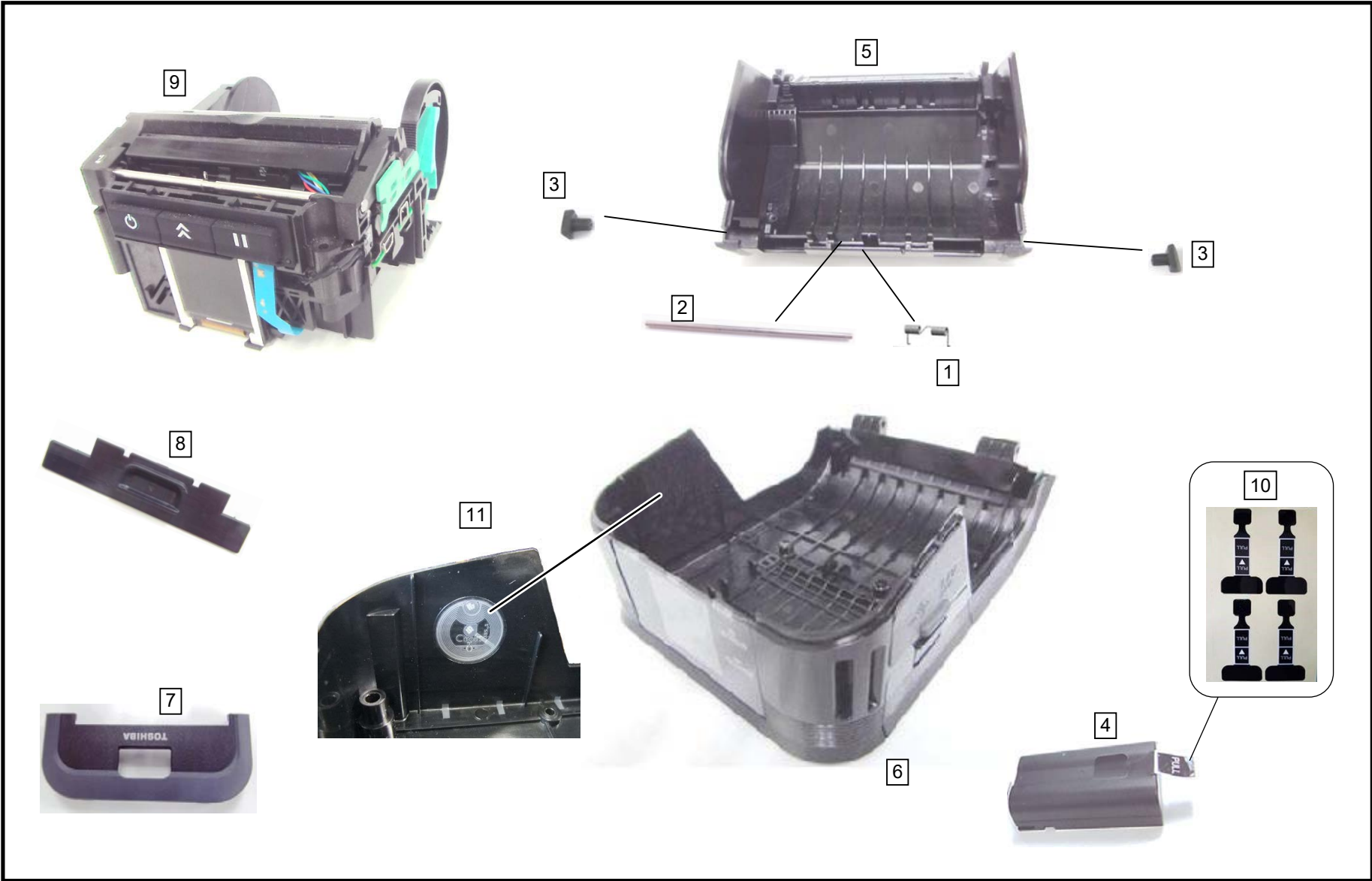
- 7) The illustrations are provided by PDF files and attached to the list of each section. To refer to the illustrations, double-click on the PDF file icons.

NOTES

1. *Parts with no Ref. No. and quantity are interchangeable parts.*
2. *The parts shown in this list may be modified by Toshiba Tec together with issuing the parts information, if necessary.*
3. *The illustrations in this parts list are provided for reference and may be different from the actual parts in shape.*
4. *For the underlined assembly parts, the components are available separately.*
5. *"-----" in the Part No. cell in place of a part number means that the part is an optional equipment and should be ordered from the Sales Department.*

1 **PRINTER BK**

SPTM-0271
B-FP3D SERIES OCT., 2021



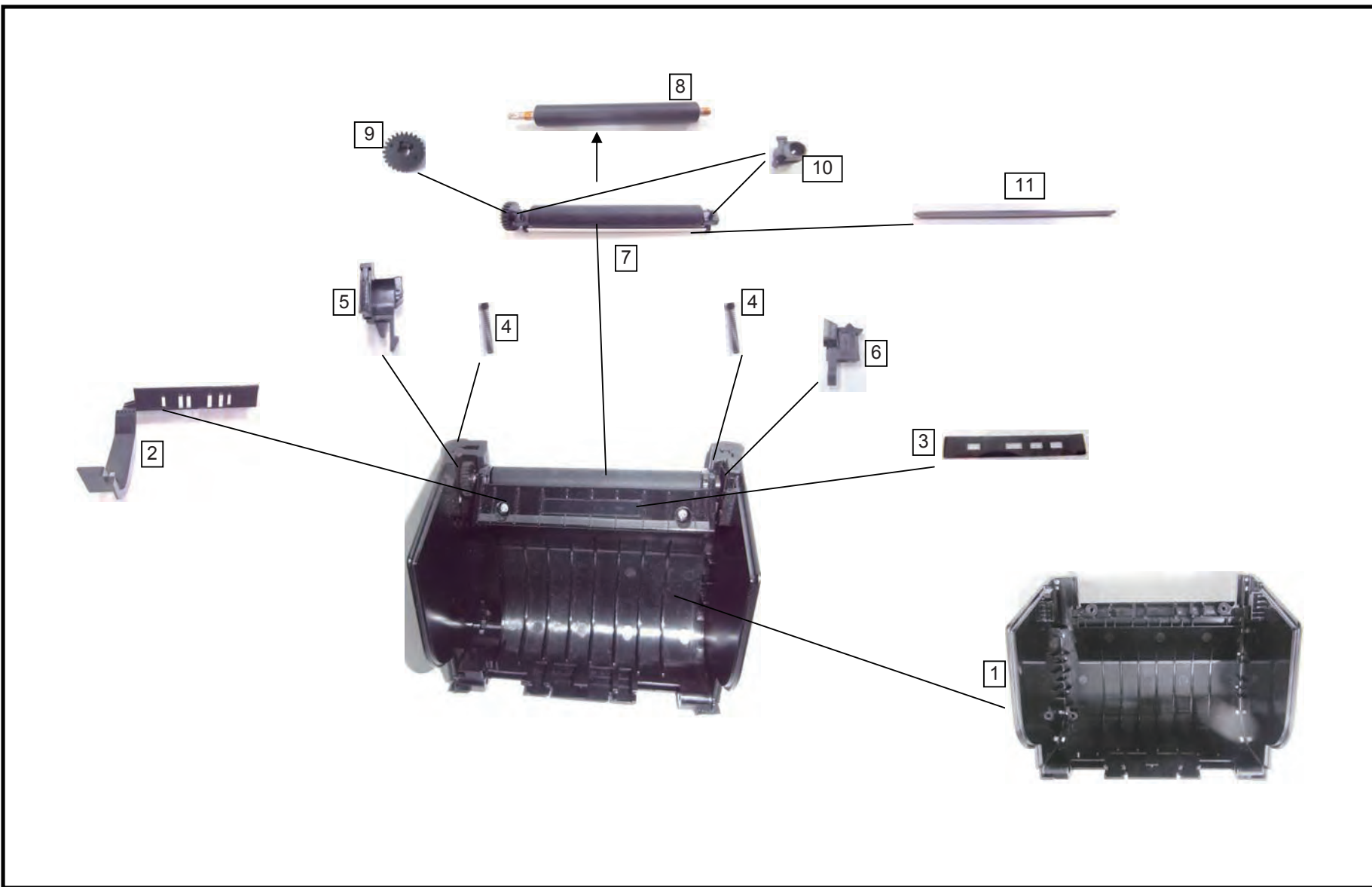
1. PRINTER BK

Ref. No.	Part No.	Description	Remarks	MOQ	A	B	C	D	E	F	G	H	I	Recommended Parts
1-1	0TSKB0051511F	FP3D-SP-OPN-COV FRU (ROHS)		1	1	1	1	1	1	1	1	1	1	
1-2	0TSDB0104901F 0TSDB0104902F 7FM08254000	FP3D-SF-COV-OPN-FRU (ROHS) FP3D-SF-COV-OPEN-FRU	Changed: 7/20 Changed: 3/22	1	1	1	1	1	1	1	1	1	1	
1-3	0TSQC0212902F	FP3D-OPN-COV-SF-STP FRU (ROHS)		1	2	2	2	2	2	2	2	2	2	
1-4	-----	B-FP803-BT-QM-R BATTERY PACK OPTION	B-FP3D-GS30/GS40-QM-R	1	0	0	1	1	0	0	0	0	0	
	-----	B-FP803-BT-QM-R BATTERY PACK OPTION (CN)	B-FP3D-GS30/GS40-CN-R	1	0	0	0	0	0	0	1	1	0	
	-----	B-FP803-BTH-QM-R BATTERY PACK OPTION	B-FP3D-GH30/GH40-QM-R	1	1	1	0	0	0	0	0	0	0	
	-----	B-FP803-BTH-QM-R BATTERY PACK OPTION (CN)	B-FP3D-GH30/GH40-CN-R	1	0	0	0	0	1	1	0	0	0	
1-5	0TSBC0197402F	ASYB-FP3D-OPN-COV FRU (ROHS)		1	1	1	1	1	1	1	1	1	1	
1-6	0TSCB0317101F 7FM08253100	ASYB-FP3D-BODY FRU (ROHS) ASYB-FP3D-BODY FRU	GH Model Changed: 3/22 GH Model	1	1	1	0	0	1	1	0	0	1	
	0TSCB0317102F 7FM08253000	ASYB-FP3D-BODY FRU (ROHS) ASYB-FP3D-BODY FRU	GS Model Changed: 3/22 GS Model	1	0	0	1	1	0	0	1	1	0	
1-7	0TSBC0197301F 7FM08252000	ASYB-FP3D-TOP-COV-FRU (ROHS) ASYB-FP3-TOP-COV-FRU	GS Model Changed: 3/22 GS Model	1	0	0	1	1	0	0	1	1	0	
	0TSBC0197302F 7FM08252100	ASYB-FP3D-TOP-COV-FRU (ROHS) ASYB-FP3-TOP-COV-FRU	GH Model (See Note1 in Appendix) Changed: 3/22 GH Model	1	1	1	0	0	1	1	0	0	1	
1-8	0TSHC0118203F	FP3D-MO-BTN-OPN FRU (ROHS)		1	1	1	1	1	1	1	1	1	1	
1-9	0TSBC0196501F 7FM07499000	ASYB-FUNC-UNIT-FRU (ROHS) ASYB-FUNC-UNIT-FP3D	GH30 Series (See Note2 in Appendix) Changed: 3/19	1	1	0	0	0	1	0	0	0	0	
	0TSBC0196502F 7FM07499100	ASYB-FUNC-UNIT-FRU (ROHS) ASYB-FUNC-UNIT-FP3D	GH40 Series (See Note2 in Appendix) Changed: 3/19	1	0	1	0	0	0	1	0	0	0	
	0TSBC0196503F 7FM07499200	ASYB-FUNC-UNIT-FRU (ROHS) ASYB-FUNC-UNIT-FP3D	GS30 Series Changed: 3/19	1	0	0	1	0	0	0	1	0	0	
	0TSBC0196504F 7FM07499300	ASYB-FUNC-UNIT-FRU (ROHS) ASYB-FUNC-UNIT-FP3D	GS40 Series Changed: 3/19	1	0	0	0	1	0	0	0	1	0	
	0TSBC0196507F	ASYB-FUNC-UNIT FRU (ROHS)	Added: 12/18 GH52 Series	1	0	0	0	0	0	0	0	0	1	
1-10	7FM07718000	FP3D-BATT-PULL-TAP	4 stickers/sheet Added: 11/19	1	--	--	--	--	--	--	--	--	--	
1-11	7FM07584000	FP3D-NFC-TAG	Added: 11/21	1	1	1	1	1	1	1	1	1	1	

A. B-FP3D-GH30-QM-R/TW-R B. B-FP3D-GH40-QM-R/TW-R C. B-FP3D-GS30-QM-R D. B-FP3D-GS40-QM-R E. B-FP3D-GH30-CN-R F. B-FP3D-GH40-CN-R
 G. B-FP3D-GS30-CN-R H. B-FP3D-GS40-CN-R I: B-FP3D-GH52-QM-R

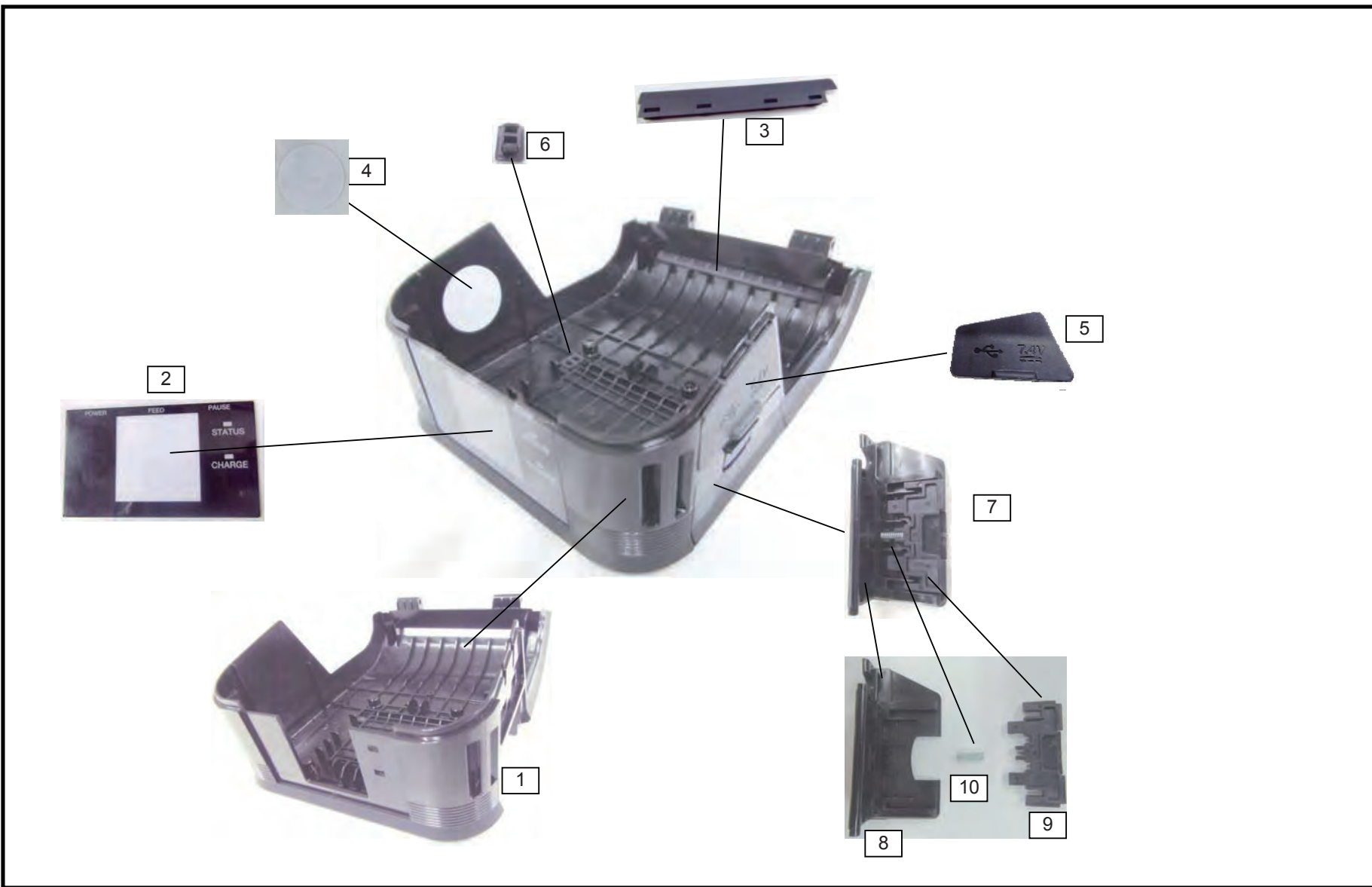
2 COVER PAPER BK

SPTM-0271
B-FP3D SERIES FEB., 2016



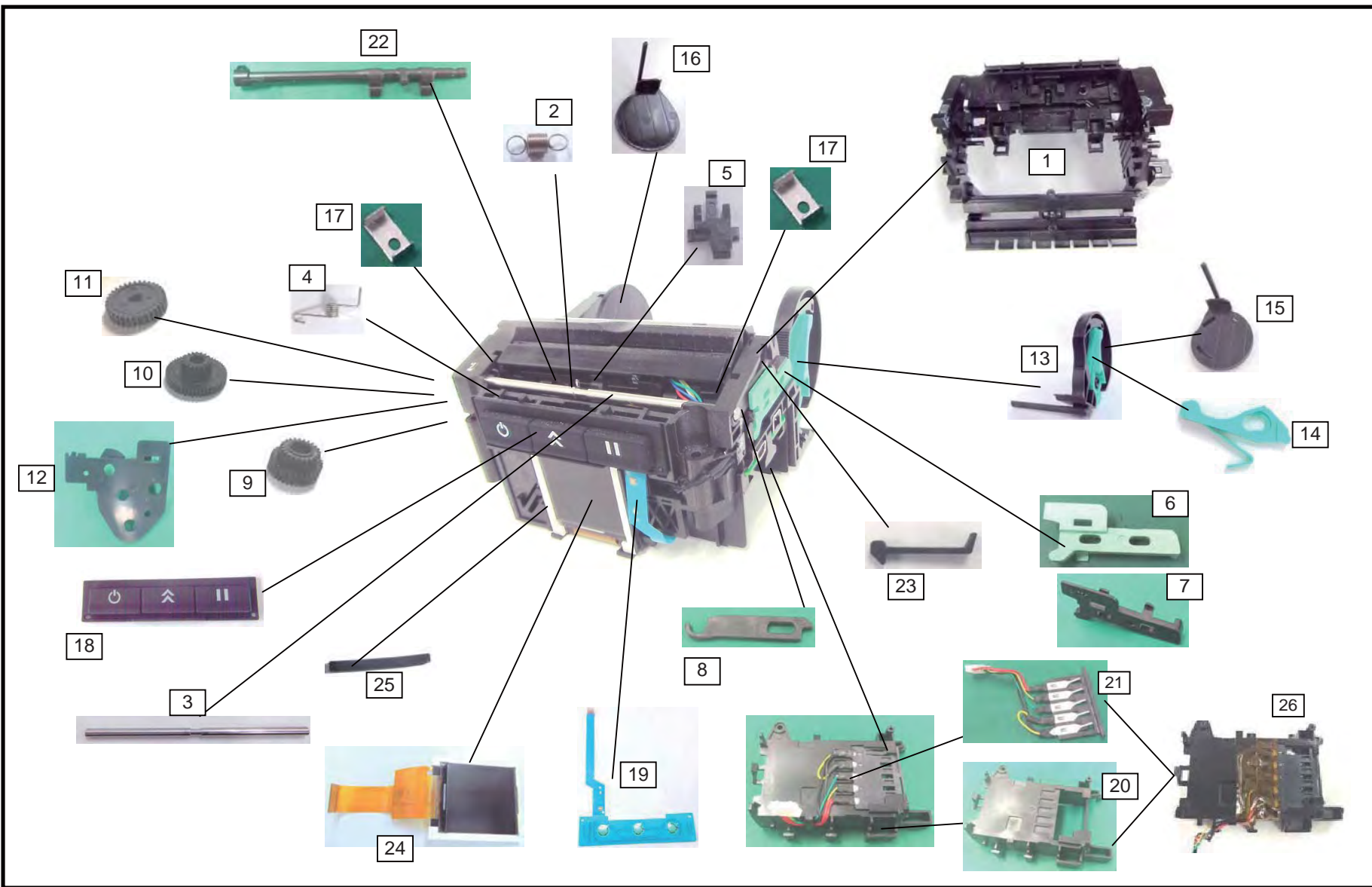
3 BODY BK

SPTM-0271
B-FP3D SERIES FEB., 2016



4 FUNCTION UNIT BK (1)

SPTM-0271
B-FP3D SERIES FEB., 2016
Revision Date: Jul., 2017



4. FUNCTION UNIT BK 1

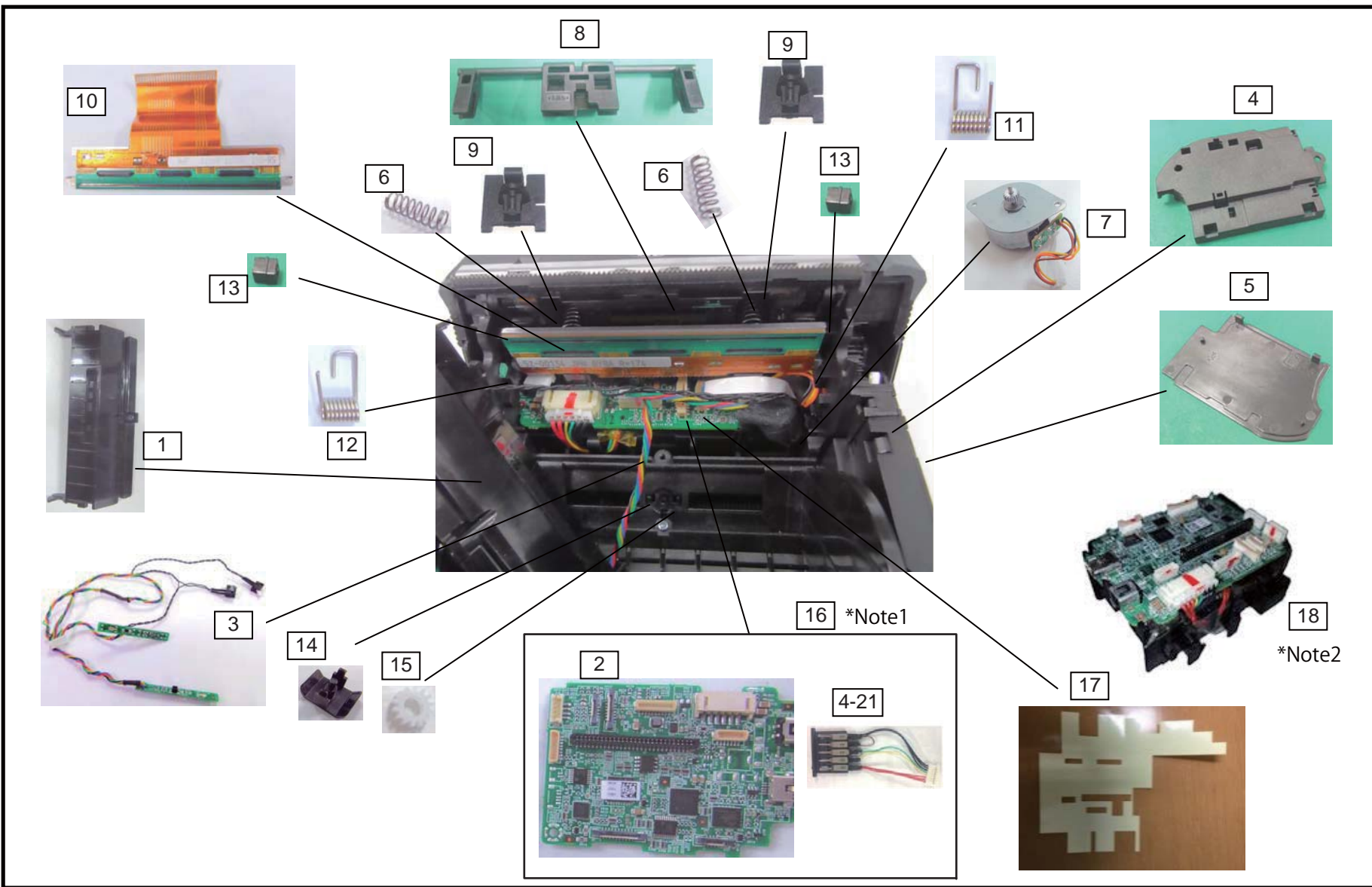
SPTM-0271
 B-FP3D (Standard) SERIES NOV., 2016
 (Revision Date: Feb., 2020)

Ref. No.	Part No.	Description	Remarks	MOQ	A	B	C	D	E	F	G	H	I	Recommended Parts
4-1	0TSHE0039112F	FP3D-MO-BASE-UNIT-FRM FRU (ROHS)	GS Model	1	0	0	1	1	0	0	1	1	0	
	0TSHE0039113F	FP3D-MO-BASE-UNIT-FRM FRU (ROHS)	GH Model (See Note4 in Appendix)	1	1	1	0	0	1	1	0	0	1	
4-2	0TSKB0054202F 7FM07583000	FP3D-SP-LVR-OPN FRU (ROHS)	Changed: 2/20	1	1	1	1	1	1	1	1	1	1	
4-3	0TSDB0105102F	FP3D-SF-OPN-BAR FRU (ROHS)		1	1	1	1	1	1	1	1	1	1	
4-4	06LB55241002F	EX4T3-SP-GID-LOCK-LEVER		1	1	1	1	1	1	1	1	1	1	
4-5	0TSHC0117704F	FP3D-MO-STRIP-LVR-STOPPER FRU (ROHS)	GH Model	1	1	1	0	0	1	1	0	0	1	
4-6	0TSHC0117502F	FP3D-MO-RELEASE-LVR FRU (ROHS)	GH Model	1	1	1	0	0	1	1	0	0	1	
4-7	0TSHC0117503F	FP3D-MO-RELEASE-LVR FRU (ROHS)	GS Model	1	0	0	1	1	0	0	1	1	0	
4-8	0TSHB0019403F	FP3D-MO-OPN-COV-BAR FRU (ROHS)		1	2	2	2	2	2	2	2	2	2	
4-9	0TSHC0116402F	FP3D-MO-GEAR-IDLER-A FRU (ROHS)		1	1	1	1	1	1	1	1	1	1	
4-10	0TSHC0116502F	FP3D-MO-GEAR-IDLER-B FRU (ROHS)		1	1	1	1	1	1	1	1	1	1	
4-11	0TSHC0116602F	FP3D-MO-GEAR-IDLER-C FRU (ROHS)		1	1	1	1	1	1	1	1	1	1	
4-12	0TSHC0118303F	FP3D-MO-COV-GEAR FRU (ROHS)		1	1	1	1	1	1	1	1	1	1	
4-13	0TSBC0196202F	ASYB-FP3D-GID-PAPER-R FRU (ROHS)		1	1	1	1	1	1	1	1	1	1	
4-14	0TSHC0118505F	FP3D-MO-GID-LOCK FRU (ROHS)		1	1	1	1	1	1	1	1	1	1	
4-15	0TSHD0055203F	FP3D-MO-GID-PAPER-R FRU (ROHS)		1	1	1	1	1	1	1	1	1	1	
4-16	0TSHD0055305F	FP3D-MO-GID-PAPER-L FRU (ROHS)		1	1	1	1	1	1	1	1	1	1	
4-17	0TSEC0223002F	FP3D-PT-LVR-STOPPER FRU (ROHS)	GS Model	1	0	0	2	2	0	0	2	2	0	
4-18	0TSQC0217807F	FP3D-MO-RUBBER-PANEL FRU (ROHS)	GS Model	1	0	0	1	1	0	0	1	1	0	
	0TSQC0217808F	FP3D-MO-RUBBER-PANEL FRU (ROHS)	GH Model (See Note5 in Appendix)	1	1	1	0	0	1	1	0	0	1	
	0TSQC0217809F	FP3D-MO-RUBBER-PANEL FRU												
4-19	0TSQC0211702F	FP3D-PANEL-KEY FRU (ROHS)	GS Model	1	0	0	1	1	0	0	1	1	0	
	0TSQC0211703F	FP3D-PANEL-KEY FRU (ROHS)	GH Model (See Note5 in Appendix)	1	1	1	0	0	1	1	0	0	1	
4-20	0TSHE0039010F	FP3D-MO-BATT-UNIT-FRM FRU (ROHS)	GH Model	4	4	4	0	0	4	4	0	0	0	
	0TSHE0039009F	FP3D-MO-BATT-UNIT-FRM FRU (ROHS)	GS Model	1	0	0	1	1	0	0	1	1	0	
4-21	0TSCB0143304F	BATTERY TERMINAL AK (ROHS)	GS Model	1	0	0	1	1	0	0	1	1	0	
	0TSCB0143306F	BATTERY TERMINAL AK (ROHS)	Changed: 6/17 (See Note 1.)											
	7FM07501100	ASYS-BATT-TERM-FP3D	Changed: 3/19											
	0TSCB0143305F	BATTERY TERMINAL AK (ROHS)	GH Model Deleted: 6/17	4	4	4	0	0	4	4	0	0	0	
4-22	0TSHC0117402F	FP3D-MO-STRIP-LVR-LOCK FRU (ROHS)	GH Model	1	1	1	0	0	1	1	0	0	1	
4-23	0TSHB0019702F	FP3D-MO-LVR-SNSR-R FRU (ROHS)		1	1	1	1	1	1	1	1	1	1	
4-24	0TSQC0215401F	ST0144S3W-RSLW-F_RS02 FRU (ROHS)	GS model	1	0	0	1	1	0	0	1	1	0	
	0TSQC0215402F	ST0144S3W-RSLW-F_RS02 FRU (ROHS)	GH Model (See Note7 in Appendix)	1	1	1	0	0	1	1	0	0	1	
	7FM07567000		Changed: 2/20											

A. B-FP3D-GH30-QM-R/TW-R B. B-FP3D-GH40-QM-R/TW-R C. B-FP3D-GS30-QM-R D. B-FP3D-GS40-QM-R E. B-FP3D-GH30-CN-R F. B-FP3D-GH40-CN-R
 G. B-FP3D-GS30-CN-R H. B-FP3D-GS40-CN-R I. B-FP3D-GH52-QM-R

5 FUNCTION UNIT (2)

SPTM-0271
 B-FP3D SERIES FEB., 2016
 (Revision Date: Feb, 2019)



5. FUNCTION UNIT BK 2

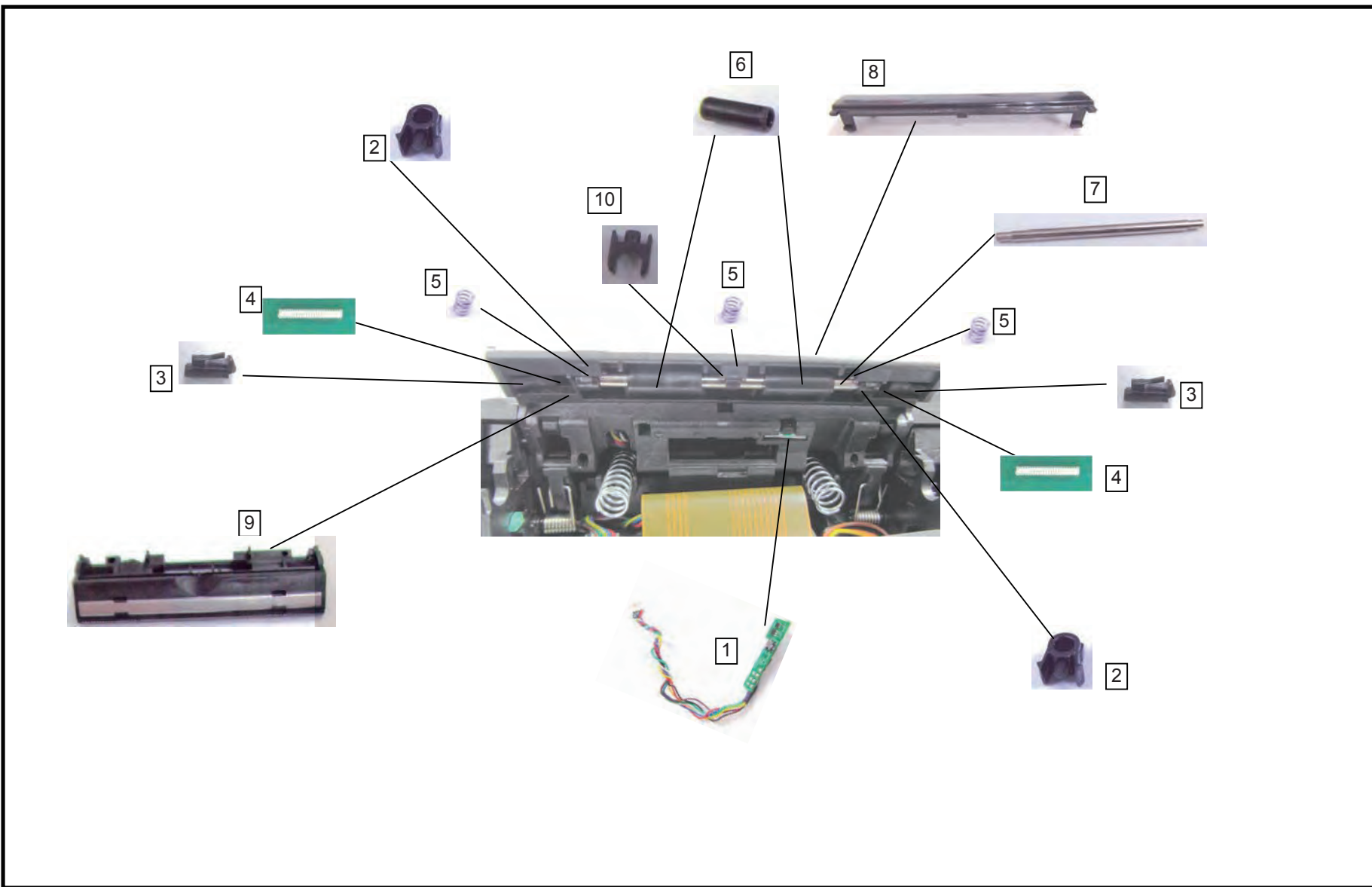
SPTM-0271
 B-FP3D (Standard) SERIES NOV., 2016
 (Revision Date: Jun., 2019)

Ref. No.	Part No.	Description	Remarks	MOQ	A	B	C	D	E	F	G	H	I	Recommended Parts
5-1	0TSBC0197502F	ASYB-GID-SENS-LOW FRU (ROHS)	(See Note8 in Appendix)	1	1	1	1	1	1	1	1	1	1	
5-2	0TSCC0321601F	PWA B-FP3D-CPU_R1-PCB-AK (ROHS)	GH Model (See Note9 in Appendix)	1	1	1	0	0	1	1	0	0	0	
	0TSCC0321605F	PWA B-FP3D CPU_R1 PCB AK FRU												
	0TSCC0321602F	PWA B-FP3D-CPU_R1-PCB-AK-FRU (ROHS)	GS Model	1	0	0	1	1	0	0	1	1	0	
	0TSCC0321606F	PWA B-FP3D CPU_R1 PCB AK FRU (ROHS)	Changed: 6/17 (See Note 1.)											
	0TSCC0321606F	PWA B-FP3D CPU_R1 PCB AK FRU (ROHS)	Added: 12/18 GH52 Model	1	0	0	0	0	0	0	0	0	1	
	0TSCC0395001F		Corrected: 6/19											
5-3	0TSCB0317603F	PWA B-FP3D-SENSOR-ASSY-BK-FRU (ROHS)	GH Model (See Note10 in Appendix)	1	1	1	0	0	1	1	0	0	1	
	7FM07517100	ASYB-PWA-SENSOR-FP3D	Changed: 3/19											
	0TSCB0317602F	PWA B-FP3D-SENSOR-ASSY-BK-FRU (ROHS)	GS Model	1	0	0	1	1	0	0	1	1	0	
	0TSCB0317601F	PWA B-FP3D-SENSOR-ASSY-FRU (ROHS)	Corrected: 6/18											
	7FM07517000	ASYB-PWA-SENSOR-FP3D	Changed: 3/19											
5-4	0TSHD0055607F	FP3D-MO-OPTN-MODULE-COV FRU (ROHS)		1	1	1	1	1	1	1	1	1	1	
5-5	0TSHC0119304F	FP3D-MO-OPTN-COV-CAP FRU (ROHS)		1	1	1	1	1	1	1	1	1	1	
5-6	0TSKB0051103F	FP3D-SP-HEAD-PRESSURE FRU (ROHS)		1	2	2	2	2	2	2	2	2	2	
5-7	0TSQC0221101F	FP3D-MOTR (SMW35-4828-B) FRU (ROHS)	GS Model	1	0	0	1	1	0	0	1	1	0	
	0TSQC0221102F	FP3D-MOTR (SMW35-4828-B) FRU (ROHS)	GH Model (See Note10 in Appendix)	1	1	1	0	0	1	1	0	0	1	
5-8	0TSHC0117302F	FP3D-MO-LINK-LVR-STRIP-FRU (ROHS)	GH Model (See Note10 in Appendix)	1	1	1	0	0	1	1	0	0	1	
	0TSHC0117303F	FP3D-MO-LINK-LVR-STRIP-FRU												
5-9	0TSHC0117204F	FP3D-MO-ATC-SPG-HEAD-FRU (ROHS)	(See Note10 in Appendix)	1	2	2	2	2	2	2	2	2	2	
	0TSHC0117205F	FP3D-MO-ATC-SPG-HEAD-FRU												
5-10	0TSQC0211106F	FP3D THERMAL-HD-3INCH-K200-FRU (ROHS)	GH Model GS Model Changed: 3/17	4	10	10	04	04	10	10	04	04	0	
	0TSQC0211107F	FP3D THERMAL-HD-3INCH-K200-FRU (ROHS)	GS Model GH Model Changed: 3/17	4	04	04	10	10	04	04	10	10	0	
	0TSQC0211108F	FP3D-THERMAL-HD-3INCH-K200-FRU	(See Note10 in Appendix)	1	1	1	1	1	1	1	1	1	1	
5-11	0TSKB0051705F	FP3D-SP-STRIP-LVR-L-FRU (ROHS)	GH Model (See Note10 in Appendix)	1	1	1	0	0	1	1	0	0	1	
	0TSKB0051706F	FP3D-SP-STRIP-LVR-L-FRU												
5-12	0TSKB0051805F	FP3D-SP-STRIP-LVR-R-FRU (ROHS)	GH Model (See Note10 in Appendix)	1	1	1	0	0	1	1	0	0	1	
	0TSKB0051806F	FP3D-SP-STRIP-LVR-R-FRU (ROHS)												
5-13	0TSHB0019902F	FP3D-MO-HEAD-ADJUST-FRU (ROHS)	(See Note10 in Appendix)	1	2	2	2	2	2	2	2	2	2	
	0TSHB0019903F	FP3D-MO-HEAD-ADJUST-FRU												
5-14	0TSHC0118404F	FP3D-MO-STP-GEAR-PINION-FRU (ROHS)		1	1	1	1	1	1	1	1	1	1	
5-15	0TSHC0048701F	GEAR-PINION-EP2D-FRU (ROHS)		1	1	1	1	1	1	1	1	1	1	
5-16	0TSBB0152801F	MAIN-CARD-AK-AND-BATTERY-TERMINAL-AK	Added: 1/18 (See Note 1.)	--	--	--	--	--	--	--	--	--	--	
	7FM07502000	MAIN-CARD-AND-BATT-TERM	Changed: 3/19											
5-17	0TSQC0229203F	FP3D-PCB-SHEET-FRU	Added: 1/19	1	1	1	0	0	1	1	0	0	1	
			GH Model (See Note 9 in Appendix)											

A. B-FP3D-GH30-QM-R/TW-R B. B-FP3D-GH40-QM-R/TW-R C. B-FP3D-GS30-QM-R D. B-FP3D-GS40-QM-R E. B-FP3D-GH30-CN-R F. B-FP3D-GH40-CN-R
 G. B-FP3D-GS30-CN-R H. B-FP3D-GS40-CN-R I. B-FP3D-GH52-QM-R

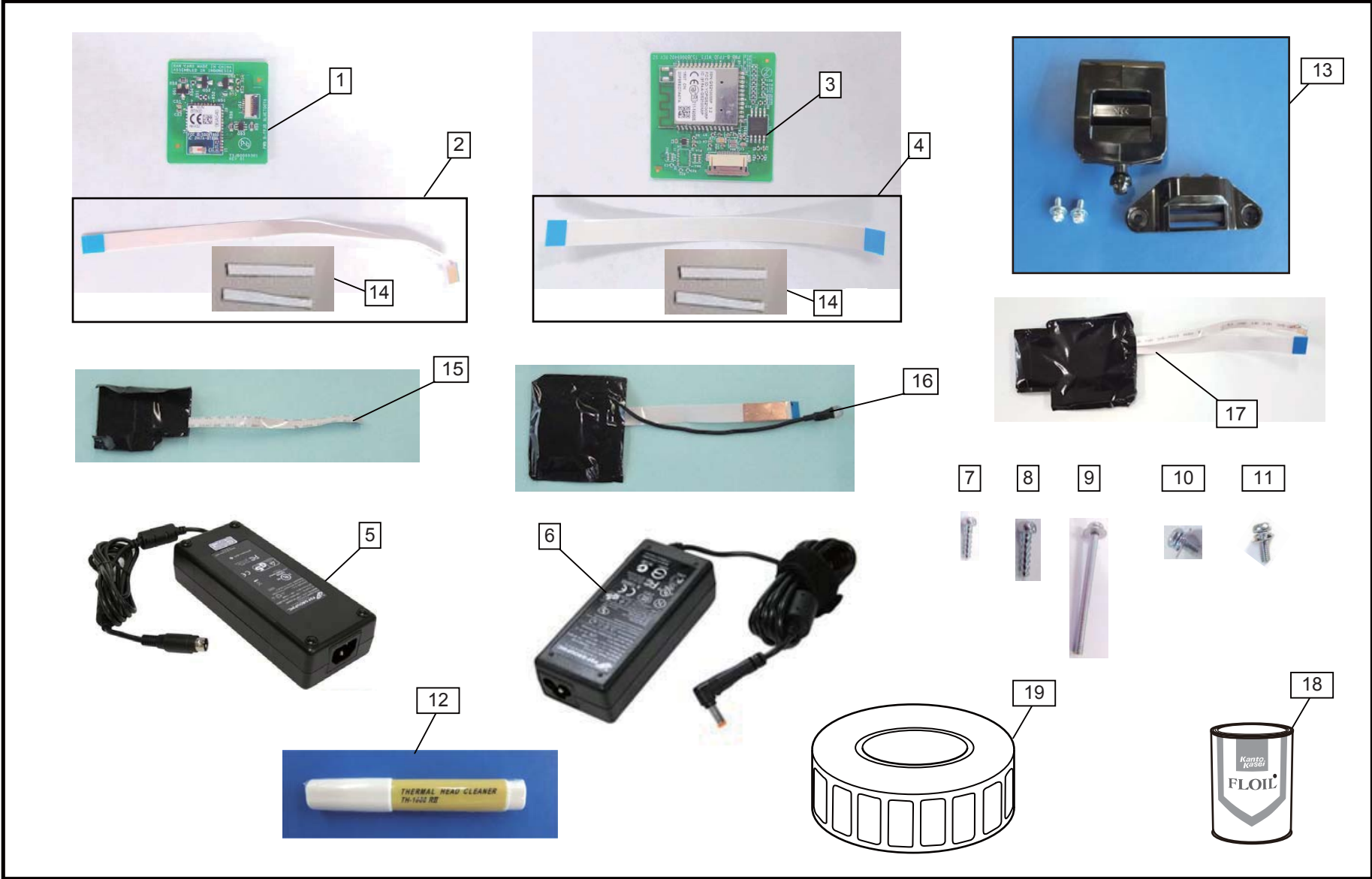
6 PEEL-OFF ASSEMBLY

SPTM-0271
B-FP3D SERIES FEB., 2016



7 OTHERS

SPTM-0271
B-FP3D SERIES FEB., 2016
(Revision Date: May, 2020)



7. OTHER

Ref. No.	Part No.	Description	Remarks	MOQ	A	B	C	D	E	F	G	H	I	Recommended Parts
7-1	0TSBC0205901F	B-FP3D-BLTH-MODULE-BK FRU (ROHS)	GH30/GS30 Model	1	4	0	1	0	4	0	1	0	0	
7-2	0TSBB0142204F	BFP3D BLUETOOTH HARNESS FRU (ROHS)	GH30/GS30 Model	1	4	0	1	0	4	0	1	0	0	
	0TSBB0142202F		Changed: 6/19											
7-3	0TSBC0205804F	B-FP3D-WIFI-MODULE-BK FRU (ROHS)	GH40/GS40 Model	1	0	4	0	1	0	4	0	1	0	
	7FM07505000	ASYB-WIFI-MODULE-FP3D	Changed: 3/19											
7-4	0TSBB0142402F	BFP3D WIFI HARNESS FRU (ROHS)	GH40/GS40 Model	1	0	4	0	1	0	4	0	1	0	
	0TSBB0142403F		Changed: 6/19											
7-5	0G0-00760000F	FSP150-ABAN1(K34001-CCC) FRU (ROHS)	B-EP800-CHG6-QM-R	1	1	1	1	1	1	1	1	1	1	
	7FM07703000	ASYB-FSP150-ABAN2 (NOTE:2)	Changed: 3/18											
	7FM07694000	ASYB-FSP150-ABAN3 (NOTE:3)	Added: 2/21	1	1	1	1	1	1	1	1	1	1	
			B-EP800-CHG6-QM-R											
7-6	0G0-00759000F	FSP065-RAB(K34001-CCC) FRU (ROHS)	B-EP800-AC-QM-R	1	1	1	1	1	1	1	1	1	1	
	7FM07702000	ASYB-FSP065-REBN2 (NOTE:2)	Changed: 3/18											
	G0-00759000		Changed: 2/20											
	7FM07999000	ASYB-FSP065-RBBN3 (NOTE:3)	Added: 2/21	1	1	1	1	1	1	1	1	1	1	
			B-EP800-CHG-QM-R											
7-7	0X0610206133F	2X6 PAN P TITE-ZC(42H1028) FRU (ROHS)		1	10	10	10	10	10	10	10	10	10	
7-8	0X0610310133F	3X10 PAN P TITE-ZC FRU (ROHS)		1	3	3	3	3	3	3	3	3	3	
7-9	0X0110340137F	M3X40 DOUBLE SEMS-ZC FRU (ROHS)		1	2	2	2	2	2	2	2	2	2	
7-10	0X0110306137F	M3X6 DOUBLE SEMS-ZC FRU (ROHS)		1	2	2	2	2	2	2	2	2	2	
7-11	0X0110308137F	3X8 DUBLE SEMS-ZC(4761264) FRU (ROHS)		1	2	2	2	2	2	2	2	2	2	
7-12	7KF01584100	THERMAL HEAD CLEANER TH-1000N R II	Added: 6/17	1	1	1	1	1	1	1	1	1	1	
7-13	0TSBC0224404F	FP3D-BELT-CLIP FRU	Added: 6/17	1	1	1	1	1	1	1	1	1	1	
	7FM07594000		Changed: 2/20											
7-14	0TSQB0181201F	DOUBLE-SIDE-TAPE-DIC#8402B FRU	(See Note10 in Appendix)		2	0	2	0	2	0	2	0	0	
7-15	0TSBC0221601F	ASYS-B-FP3D-BLTH-MODULE-FRU	GH30 Model (See Note11 in Appendix)	1	1	0	0	0	1	0	0	0	0	
7-16	0TSBC0221504F	ASYS-B-FP3D-WIFI-MODULE-FRU	GH40 Model (See Note11 in Appendix)	1	0	1	0	0	0	1	0	0	0	
	7FM07506000	ASYS-WIFI-MODULE-FP3D	Changed: 3/19											
7-17	0TSBC0224204F	FP3D-WIFI-BLTH-MODULE-FRU	Added: 12/18 GH52 Model	1	0	0	0	0	0	0	0	0	1	
	0TSBC0240001F		Corrected: 4/19 GH52 Model											
7-18	W0-00916000	FLOIL HTM-308 1KG	Added: 1/20	**	--	--	--	--	--	--	--	--	--	
7-19	00TSQB0114802	PL-RATING-LABEL-LAMINATION (74mm x 34mm)	Changed: 6/20	**	--	--	--	--	--	--	--	--	--	
	0TSQB0114802F		1,000 labels/roll											

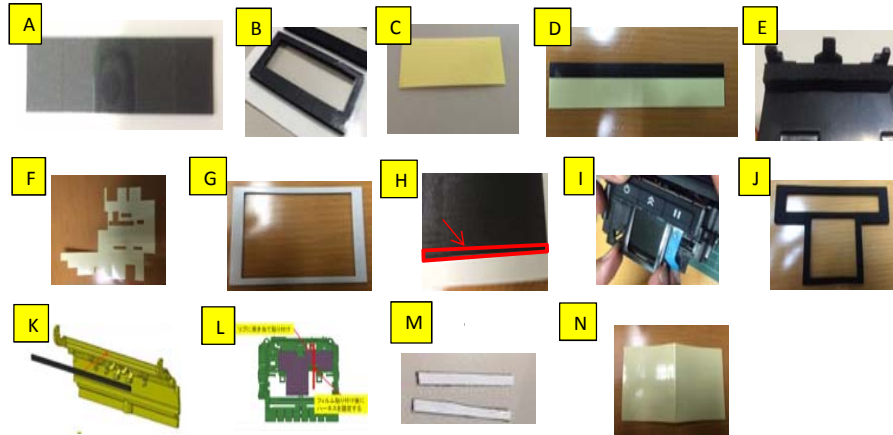
A. B-FP3D-GH30-QM-R/TW-R B. B-FP3D-GH40-QM-R/TW-R C. B-FP3D-GS30-QM-R D. B-FP3D-GS40-QM-R E. B-FP3D-GH30-CN-R F. B-FP3D-GH40-CN-R
 G. B-FP3D-GS30-CN-R H. B-FP3D-GS40-CN-R I. B-FP3D-GH52-QM-R

7. OTHER

Ref. No.	Part No.	Description	Remarks	MOQ	A	B	C	D	E	F	G	H	I	Recommended Parts	
		<p>NOTE:1 It is possible to order option parts, which are listed in this Parts List, as service parts. If you purchase the other option parts, please contact the Sales Dept. of Toshiba Tec.</p> <p>NOTE:2 Shipping to the following countries and regions regulated by IEC60950 is possible. USA, Brazil, Bangladesh, Indonesia, Malaysia, Singapore, Thailand, Turkey, Vietnam, Korea, Hong Kong, Canada, Russia, UAE, Australia, New Zealand, Taiwan, India, South Africa, China (as of Dec., 2020) * Shipping to the countries and regions regulated by IEC62368 are impossible.</p> <p>NOTE:3 Using and shipping to the following countries and regions regulated by IEC62368 are possible. EU, EFTA, Morocco, Mexico (Direct shipment) (as of Dec., 2020) * Using and shipping to the countries and regions regulated by both IEC62368 and IEC60950 are possible.</p>													

APPENDIX

B-FP3D-GH Service Parts Structure for IP54 regulation
 Correspondence Table with IP54 Parts



Note No.	Ref. No.	Part No.	Description	Remarks	Part Correspondence													
					A	B	C	D	E	F	G	H	I	J	K	L	M	N
1	1-7	0TSBC0197302F	ASYB-FP3D-TOP-COV FRU (ROHS)	GH Model	-	-	-	-	-	-	-	⊙	-	-	-	-	-	
2	1-9	7FM07499000	ASYB-FUNC-UNIT-FP3D	GH30 Series	⊙	⊙	⊙	⊙	⊙	⊙	-	-	⊙	-	-	⊙	-	
		7FM07499100	ASYB-FUNC-UNIT-FP3D	GH40 Series	⊙	⊙	⊙	⊙	⊙	⊙	-	-	⊙	-	-	⊙	⊙	
3	3-1	0TSHE0039311F	ASYB-FP3D-MO-BODY		-	-	-	-	-	-	-	-	-	-	-	-	-	
	3-2	0TSHC0117604F	FP3D-MO-FRT-PANEL FRU (ROHS)		-	-	-	-	-	-	○	-	-	-	-	-	-	
4	4-1	0TSHE0039113F	FP3D-MO-BASE-UNIT-FRM FRU (ROHS)		-	-	-	-	-	-	-	-	○	○	-	○	-	
5	4-18	0TSQC0217809F	FP3D-MO-RUBBER-PANEL FRU (ROHS)	GH model	-	-	-	-	-	-	-	-	○	○	-	○	-	
	4-19	0TSQC0211703F	FP3D-PANEL-KEY FRU (ROHS)		-	-	-	-	-	-	-	-	○	○	-	-	-	
6	4-26	7FM07500000	ASYB-BATT-FRM-FP3D	GH Model, marge 4-20, 4-21	⊙	⊙	⊙	⊙	⊙	○	-	-	-	-	-	○	-	
7	4-24	0TSQC0215402F	ST0144S3W-RSLW-F_RS02 FRU (ROHS)		-	-	-	-	-	-	-	-	○	○	-	-	○	
8	5-1	0TSBC0197502F	ASYB-GID-SENS-LOW FRU (ROHS)		-	-	-	-	-	-	-	-	-	-	⊙	-	-	
9	5-2	0TSCC0321605F	PWA B-FP3D CPU_R1 PCB AK (ROHS)	GH model	-	-	-	-	-	○	-	-	-	-	-	-	○	
10	5-3	0TSCB0317603F	PWA B-FP3D SENSOR ASSY BK (ROHS)		-	-	-	-	-	-	-	-	-	-	-	-	○	
	5-7	0TSQC0221102F	FP3D-MOTR (SMW35-4828-B) FRU (ROHS)	GH Model	-	-	-	-	-	-	-	-	-	-	-	-	○	
	5-8	0TSHC0117303F	FP3D-MO-LINK-LVR-STRIP FRU (ROHS)	GH Model	-	-	-	-	-	-	-	-	-	-	-	-	○	
	5-9	0TSHC0117205F	FP3D-MO-ATC-SPG-HEAD FRU (ROHS)		-	-	-	-	-	-	-	-	-	-	-	-	○	
	5-10	0TSQC0211108F	FP3D-THERMAL-HD-3INCH-K200 FRU (ROHS)	GH Model	-	-	-	-	-	-	-	-	-	-	-	-	○	
	5-11	0TSKB0051706F	FP3D-SP-STRIP-LVR-L FRU (ROHS)	GH Model	-	-	-	-	-	-	-	-	-	-	-	-	○	
	5-12	0TSKB0051806F	FP3D-SP-STRIP-LVR-R FRU (ROHS)	GH Model	-	-	-	-	-	-	-	-	-	-	-	-	○	
	5-13	0TSHB0019903F	FP3D-MO-HEAD-ADJUST FRU (ROHS)		-	-	-	-	-	-	-	-	-	-	-	-	○	
	6-1	7FM07518000	ASYS-PWA-PEEL-OFF-FP3D	GH Model	-	-	-	-	-	-	-	-	-	-	-	-	○	
	6-9	0TSCC0310510F	ASYS-LVR-STRIP-FP3D FRU (ROHS)		-	-	-	-	-	-	-	-	-	-	-	-	○	
11	7-14	0TSQB0181201F	DOUBLE-SIDE-TAPE-DIC#8402B FRU		-	-	-	-	-	-	-	-	-	-	-	-	○	
	7-15	0TSBC0221601F	ASYS-B-FP3D-BLTH-MODULE-FRU	GH30Series, marge 7-1,7-2	-	-	-	-	-	-	-	-	-	-	-	-	○	
	7-16	7FM07506000	ASYS-WIFI-MODULE-FP3D	GH40Series, Marge 7-3,7-4	-	-	-	-	-	-	-	-	-	-	-	-	⊙	

⊙:Use(Applied) , ○:Use(Enclose) , -:Disuse