

# TOSHIBA

TOSHIBA Barcode Printer

## B-EX4 SERIES

### Parts List

Document No. EO8-33031BW

Original **FEB., 2011**  
(Revised **JUN., 2023**)

Minimum Order Quantity (MOQ) column has been added to this Parts List.  
Please order the MOQ or the multiples of the MOQ per order .  
Regarding the parts with two asterisks (\*\*) entered in this column, over 4-month lead time may be required because a quotation of the unit price and the MOQ is requested at the receipt of order.

**Toshiba Tec Corporation**

PRINTED IN JAPAN

## TABLE OF CONTENTS

<b>PARTS LIST</b>		<b>Page</b>
1. EXTERIOR PARTS	-----	1-1
2. INTERIOR PARTS (1)	-----	2-1
3. INTERIOR PARTS (2)	-----	3-1
4. INTERIOR PARTS (3)	-----	4-1
5. Circle cutter module (B-EX204-QM-R)	-----	5-1
6. Peel off module (B-EX904-H-QM-R)	-----	6-1
7. Rotary cutter module (B-EX204-R-QM-R)	-----	7-1
8. RFID module (B-EX700-RFID-U4 Series)	-----	8-1
9. RFID module (B-EX700-RFID-H3)	-----	9-1
10. High Precision Pee-off module (B-EX904-HH-QM-R)	-----	10-1
30. OPTIONS	-----	30-1

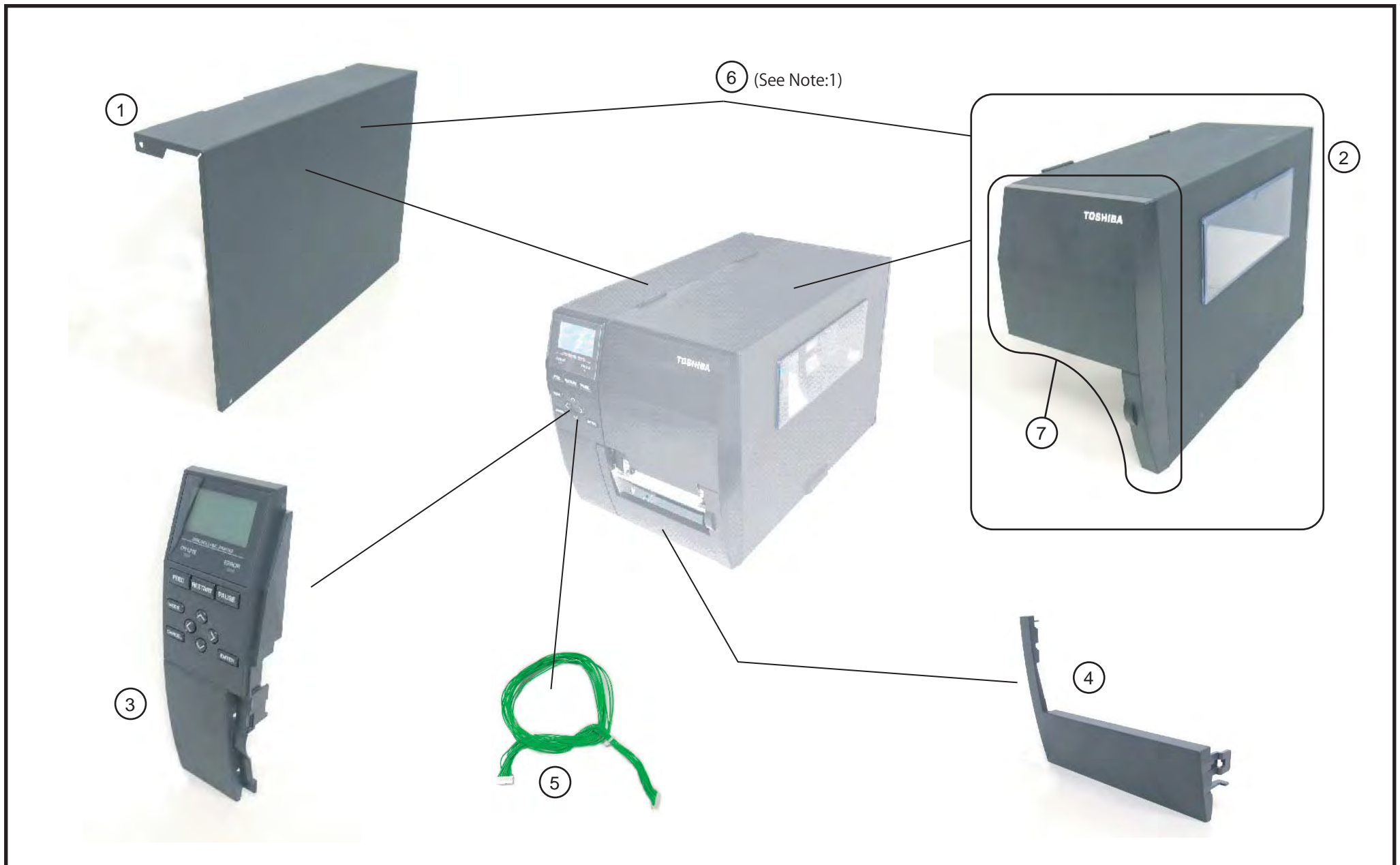
### **CAUTION!**

- 1. This manual may not be copied in whole or in part without prior written permission of Toshiba Tec Corporation.*
- 2. The contents of this manual may be changed without notification.*
- 3. Please refer to your local Authorised Service representative with regard to any queries you may have in this manual.*



# 1. EXTERIOR PARTS

EO8-33031  
B-EX4 Series APR., 2014



# 1. EXTERIOR PARTS

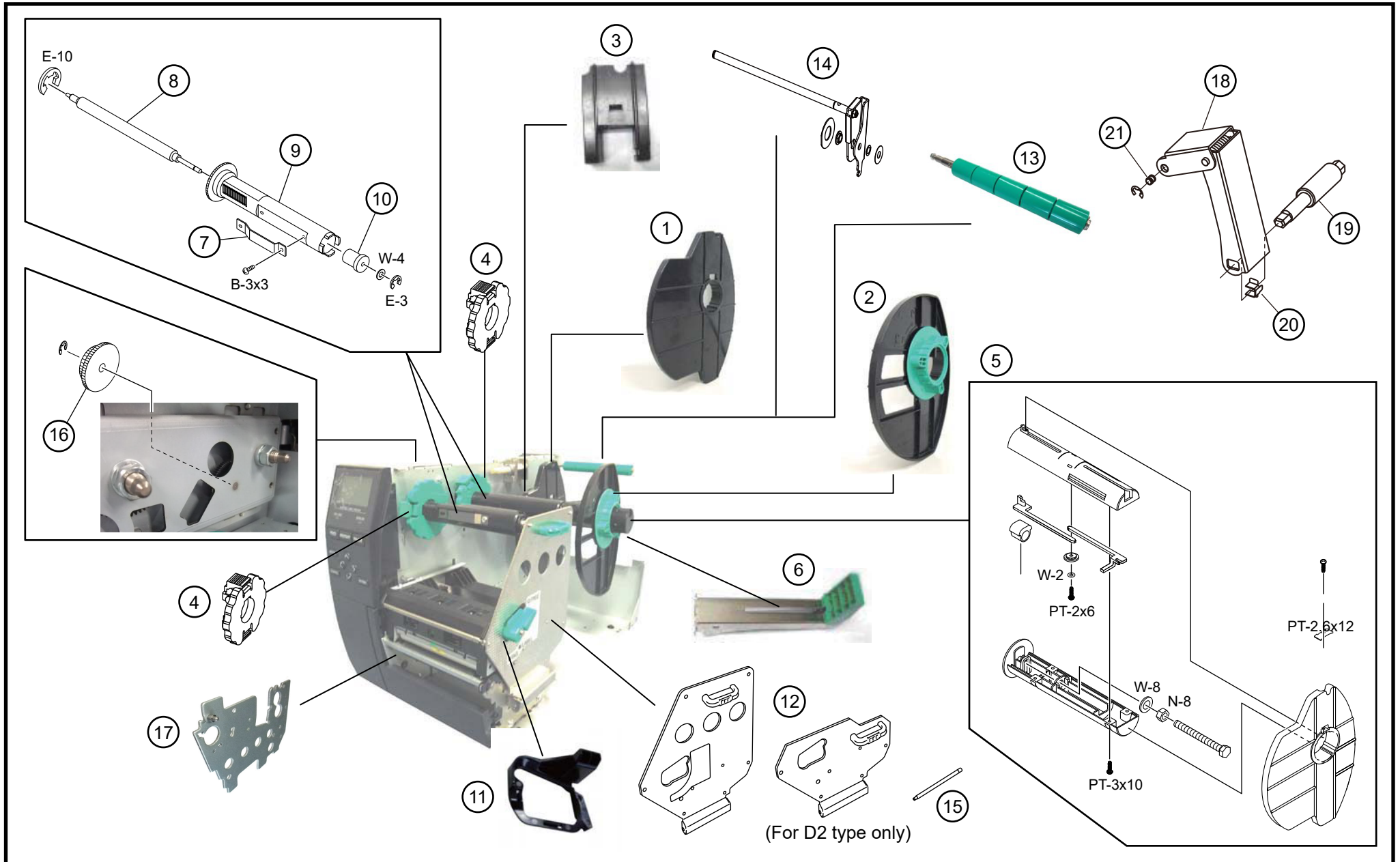
E08-33031  
B-EX4 Series FEB., 2011  
(Revision Date: Feb., 2017)

Ref. No.	Part No.	Description	Remarks	MOQ	A	B	C	D	E	F	G	H	I	J	K	L	M	O	P	Recommended Parts
1-1	0TSBC0113701F	Top Cover Ass'y with stickers	T1																	
		Side Panel (L) Ass'y	Correction Apr., 2014																	
	0TSBC0136701F	Top Cover Ass'y with stickers	T2																	
		Side Panel (L) Ass'y	Correction Apr., 2014																	
	0TSCC0170804F	ASYS EX4T1 PT COVER SID FRU (ROHS)	T1	1	1	1	1	1	0	0	0	0	0	0	0	0	0	0	1	
			Correction Dec., 2014																	
	0TSCC0170805F	ASYS EX4T1 PT COVER SID FRU (ROHS)	T2/D2	1	0	0	0	0	1	1	1	1	1	1	1	1	1	1	0	
			Correction Dec., 2014																	
1-2	0TSCC0170802F	Side Panel (L) Ass'y	T1																	
		Top Cover Ass'y with stickers	Correction Apr., 2014																	
	0TSCC0170804F	Side Panel (L) Ass'y	T2																	
		Top Cover Ass'y with stickers	Correction Apr., 2014																	
	0TSBC0136701F	ASYS EX4T2 PT OPEN COVER BK FRU (ROHS)	T1	1	4	4	4	4	0	0	0	0	0	0	0	0	0	0	0	
			EX4T2 QM																	
			Correction Jan., 2016		0	0	0	0	1	1	1									
	0TSBC0136704F	ASYS EX4T2 PT OPEN COVER BK FRU (ROHS)	T2/D2	1	0	0	0	0	4	4	4	1	1	1	4	4	0	0	0	
			EX4T2 CN																	
			Correction Jan., 2016						0	0	0				0	0				
	0TSBC0113701F	ASYS EX4T1 PT OPEN COVER BK FRU (ROHS)	T1 QM Added Jan 2016	1	1	1	0	0	0	0	0	0	0	0	0	0	0	0	0	
	0TSBC0155701F	ASYS EX4T2 PT OPEN COVER DT BK FRU (ROHS)	EX4D2 Added Jan 2016	1	0	0	0	0	0	0	0	0	0	0	1	1	0	0	0	
	0TSBC0113702F	ASYS EX4T1 PT OPEN COVER BK FRU (ROHS)	T1 CN Added Jan 2016	1	0	0	1	1	0	0	0	0	0	0	0	0	0	0	1	
	0TSBC0175702F	ASYS EX4T3 PT OPEN COVER BK FRU (ROHS)	T3 Added Jul., 2016	1	0	0	0	0	0	0	0	0	0	0	0	0	1	0	0	
	0TSBC0175703F	ASYS EX4T3 PT OPEN COVER BK FRU (ROHS)	T3 Added Jul., 2016	1	0	0	0	0	0	0	0	0	0	0	0	0	0	1	0	
1-3	0TSBC0118301F	Operation Panel Ass'y	T1/T2/D2	1	1	1	1	1	1	1	1	1	1	1	1	1	0	0	1	E
	0TSBC0176201F	EX4T3 MO COVER FRONT BK FRU (ROHS)	T3 Added Jul., 2016	1	0	0	0	0	0	0	0	0	0	0	0	0	1	1	0	
1-4	0TSHE0031402F	Front panel																		
	0TSHE0031701F	EX4T1 MO COVER FRT B FRU (ROHS)	Correction Apr., 2014	1	1	1	1	1	1	1	1	1	1	1	1	1	1	1	0	
1-5	0TSCB0225203F	B-EX PANEL K (LCD Harness Ass'y)	UL1007 #26 AWG	1	1	1	1	1	1	1	1	1	1	1	1	1	1	1	1	
1-6	0TSBC0181501F	EX4T2/D2 Combine set(ASYS EX4T1 COVER COMBINE FRU (ROHS))	T2 Addition *Note:1	1	0	0	0	0	1	1	1	1	1	1	1	1	0	0	0	
	TBA	EX4T3 Combine set(ASYS EX4T3 COVER COMBINE FRU (ROHS))		1	0	0	0	0	0	0	0	0	0	0	0	0	1	1	0	
1-7	0TSHE0031402F	COVER FRONT FRU (ROHS)	Addition Apr., 2014	1	1	1	1	1	1	1	1	1	1	1	1	1	1	1	1	

A: B-EX4T1-GS12-QM-R B: B-EX4T1-TS12-QM-R C: B-EX4T1-GS12-CN-R D: B-EX4T1-TS12-CN-R  
 E: B-EX4T2-GS12-QM-R F: B-EX4T2-TS12-QM-R G: B-EX4T2-HS12-QM-R H: B-EX4T2-GS-12-CN-R I: B-EX4T2-TS12-CN-R J: B-EX4T2-HS12-CN-R  
 K: B-EX4D2-GS12-QM-R L: B-EX4D2-GS12-QQ-R  
 M: B-EX4T3-HS12-QM-R O: B-EX4T3-HS12-CN-R P: B-EX4T1-GS18-CN-R

## 2. INTERIOR PARTS (1)

EO8-33031  
B-EX4 Series FEB., 2011  
(Revision Date: Jan, 2022)



## 2. INTERIOR PARTS (1)

E08-33031  
B-EX4 Series FEB., 2011  
(Revision Date: Apr., 2023)

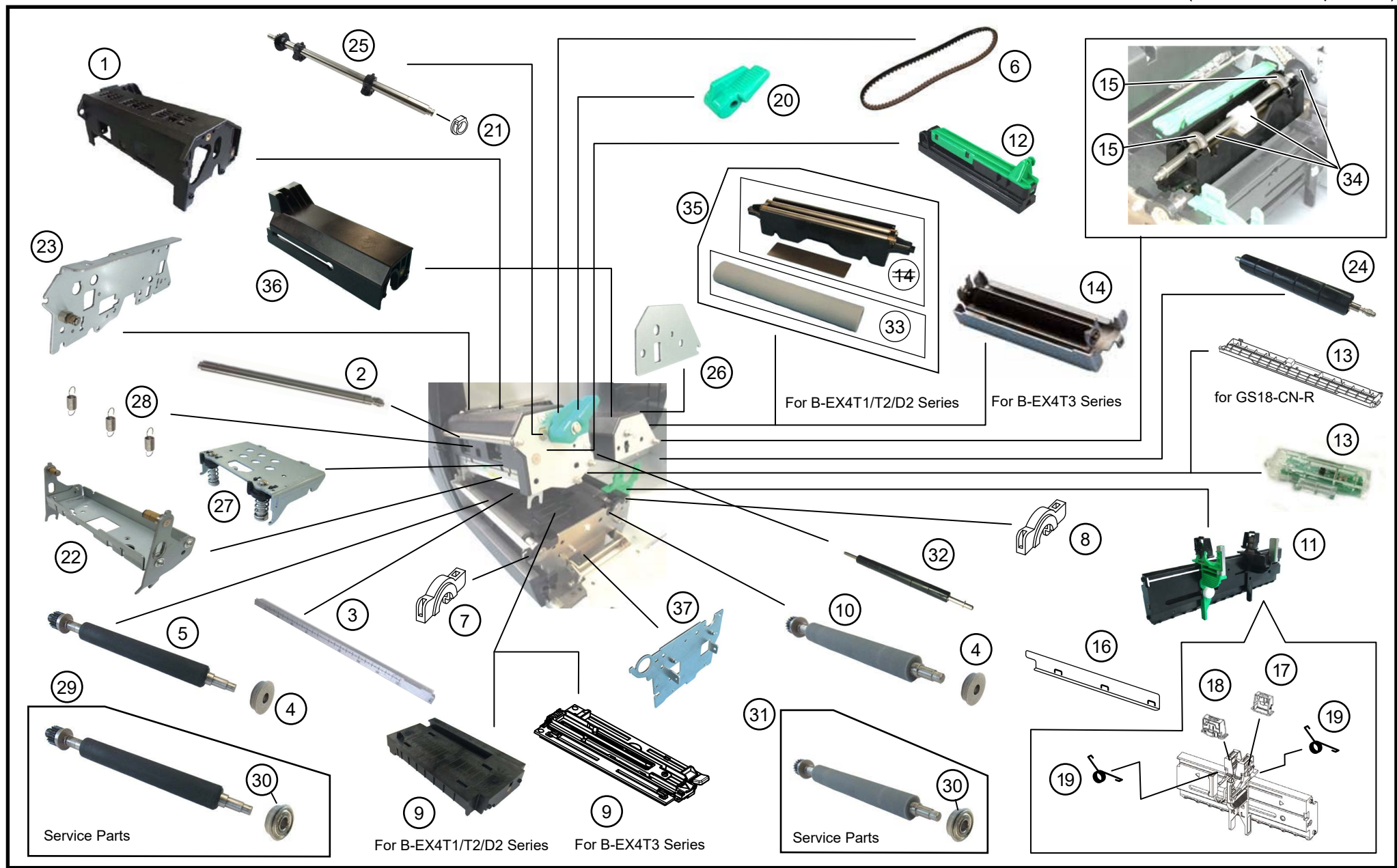
Ref. No.	Part No.	Description	Remarks	MOQ	A	B	C	D	E	F	G	H	I	J	K	L	M	O	P	Recommended Parts
2-1	0FMHE0009801F FMHE0009801	Supply holder (L)	T1/T3 change 31 May 2012	1	1	1	1	1	0	0	0	0	0	0	0	0	1	1	1	
2-2	0FMBC0085004F FMBC0085001	Supply holder (R) Ass'y	T1/T3 change 31 May 2012	1	1	1	1	1	0	0	0	0	0	0	0	0	1	1	1	
2-3	0TSHD0044404F	Paper Gide	T2/D2	1	0	0	0	0	1	1	1	1	1	1	1	1	0	0	0	
2-4	7FM00179000	Ribbon Stopper Ass'y	T1/T2 same as B-SX4T Series	1	2	2	2	2	2	2	2	2	2	2	2	2	0	0	2	
	0TSBC0176901F FMBD0041202	ASYB EX4T3 RBN FLANGE FRU (ROHS)	T3 Added Jul., 2016	1	0	0	0	0	0	0	0	0	0	0	0	0	2	2	0	
2-5	0FMBD0041205F FMBD0041205	Supply holder Sub-Ass'y Sensor Holder Ass'y	T1 Changed: 2/20	1	1	1	1	1	0	0	0	0	0	0	0	1	0	0	1	C
		SUPPLY HOLDER BK	Corrected: 5/21																	
	0TSBC0177001F	EX4T3 SUPPLY HOLDER BK FRU (ROHS)	T3 Added Jul., 2016	1	0	0	0	0	0	0	0	0	0	0	0	0	1	1	0	
2-6	0TSBC0136604F	Supply holder Ass'y	T2 Changel Aug., 2013	1	0	0	0	0	1	1	1	1	1	1	1	0	0	0	0	
	0TSBC0136602F	Supply holder Ass'y (for 40mm / 76mm core)	Changed Aug., 2013																	
2-7	FMQB0036201	Ribbon Holder Stopper (T1)	T1/T3 Added 1 Aug., 2013	1	2	2	2	2	0	0	0	0	0	0	0	0	2	2	2	
	0TSEB0039401F	Ribbon Holder Stopper (T2)	Added 1 Aug., 2013																	
	0TSEB0039402F		T2/D2 Change 1 Aug., 2013	1	0	0	0	0	2	2	2	2	2	2	2	2	0	0	0	
2-8	FMDC0005701	Ribbon Shaft	same as B-SX4T Series																	
	0TSDC0042503F	EX4T1 SF RBN DRIVE FRU (ROHS)	Changed Jul., 2016	1	2	2	2	2	2	2	2	2	2	2	2	2	2	2	2	
2-9	FMCB0060504	Ribbon Holder	same as B-SX4T Series	1	2	2	2	2	2	2	2	2	2	2	2	2	2	2	2	
2-10	FMHB0020401	Dummy Spacer	same as B-SX4T Series																	
	0TSHC0077401F	EX4T1 MO KEEPER DUMMY FRU (ROHS)	Changed Jul., 2016	1	2	2	2	2	2	2	2	2	2	2	2	2	2	2	2	
2-11	0TSHC0101402F	EX4T1 MO LOCK LEVER GUIDE FRU (ROHS)	Added Apr., 2014	1	1	1	1	1	1	1	1	1	1	1	1	1	1	1	1	
	7FM08422000	EX4T1-LOCK-LEVER-GUIDE	Changed: 4/23																	
2-12	0TSBC0112701F	ASYB EX4T1 PT DRV HLDR BK FRU (ROHS)	T1-QM Added Feb., 2015																	
		ASYB EX4 (T1-QM) PT DRV HLDR BK FRU (ROHS)	changed: 5/15	1	1	1	0	0	0	0	0	0	0	0	0	0	0	0	0	
	0TSBC0112702F	ASYB EX4T1 PT DRV HLDR BK FRU (ROHS)	T1-CN / T2-CN Added Feb., 2015																	
		ASYB EX4 (T1-CN/T2-CN) PT DRV HLDR BK	changed: 5/15	1	0	0	1	1	0	0	0	1	1	1	0	0	0	0	1	
	0TSBC0112703F	ASYB EX4T1 PT DRV HLDR BK FRU (ROHS)	T1-JP / T2-QM Added Feb., 2015																	
		ASYB EX4 (T1-JP/T2-QM) PT DRV HLDR BK	changed: 5/15	1	0	0	0	0	1	1	1	0	0	0	0	0	0	0	0	
	0TSBC0112705F	ASYB EX4T1 PT DRV HLDR BK FRU (ROHS)	T3-JP Added Feb., 2015																	
		ASYB EX4 (T3-JP) PT DRV HLDR BK FRU (ROHS)	changed: 5/15	1	0	0	0	0	0	0	0	0	0	0	0	0	1	0	0	
	TBA	ASYB EX4 (T3-CN) PT DRV HLDR BK FRU (ROHS)		1	0	0	0	0	0	0	0	0	0	0	0	0	0	1	0	

A: B-EX4T1-GS12-QM-R B: B-EX4T1-TS12-QM-R C: B-EX4T1-GS12-CN-R D: B-EX4T1-TS12-CN-R  
E: B-EX4T2-GS12-QM-R F: B-EX4T2-TS12-QM-R G: B-EX4T2-HS12-QM-R H: B-EX4T2-GS-12-CN-R I: B-EX4T2-TS12-CN-R J: B-EX4T2-HS12-CN-R  
K: B-EX4D2-GS12-QM-R L: B-EX4D2-GS12-QQ-R  
M: B-EX4T3-HS12-QM-R O: B-EX4T3-HS12-CN-R P: B-EX4T1-GS18-CN-R



# 3. INTERIOR PARTS (2)

EO8-33031  
 B-EX4 Series FEB., 2011  
 (Revision Date: Apr, 2023)



### 3. INTERIOR PARTS (2-1)

E08-33031  
B-EX4 Series FEB., 2011  
(Revision Date: Apr., 2022)

Ref. No.	Part No.	Description	Remarks	MOQ	A	B	C	D	E	F	G	H	I	J	K	L	M	O	P	Recommended Parts	
3-1	0TSCC0193702F 7FM08302000	ASYS EX4T1 MO PRINT ENG COV	Added Oct., 2013 Changed: 4/22	1	1	1	1	1	1	1	1	1	1	1	1	1	1	1	1		
3-2	0TSDC0039902F	EX4T1 SF RBN GUIDE FRU (ROHS)	Added 11 Jun., 2013 Corrected: 12/18	**	4 3	4 3	4 3	4 3	4 3	4 3	4 3	4 3	4 3	4 3	0	0	4 3	4 3	4 3		
3-3	7FM04969000 0TSQD0017801F	PEEL OFF BAR STRIP (with scale) EX4T1-BAR-STRIP-FRU (without scale)	T1/T3 T2/D2, T1-CN Added 24 May. 2013	1	1	1	0	0	0	0	0	0	0	0	0	0	1	1	0		
3-4	0TSQB0127901F	EX4T1 BUSH PLATEN A FRU (ROHS)	Added Nov., 2013	**	4	4	4	4	4	4	4	4	4	4	4	4	4	4	4		
3-5	0TSBC0112401F 7FM08165000 7FM05008000 7FM08166000	Platen Roller (with gear) PLATEN ROLLER FRU PLATEN ROLLER W118 PLATEN ROLLER W118	T1/T2/D2 T1/T2/D2 Changed: 1/22 T3 Added Jul., 2016 T3 Changed 1/22	1	1	1	1	1	1	1	1	1	1	1	1	1	0	0	1	B	
3-6	0TSQC0139402F 0TSQC0139403F	EX4T1 PNCH RLR BELT FRU (ROHS) EX4T2 PNCH RLR BELT FRU (ROHS)	T1/T3 Added 24 May. 2013 T2/D2 Added 24 May. 2013	20	1	1	1	1	0	0	0	0	0	0	0	0	1	1	1		
3-7	7FM00102000	Platen Holder	same as B-SX4T Series	1	1	1	1	1	1	1	1	1	1	1	1	1	1	1	1		
3-8	7FM00055000	Feed Roller Holder	same as B-SX4T Series	1	1	1	1	1	1	1	1	1	1	1	1	1	1	1	1		
3-9	0TSCC0194102F 7FM08158000 06LB55239001F 7FM07367000	ASYS-EX4T1-MO-FEED-FRM-TOP-AK-TI-30210 EX4T1-MO-FEED-FRM-TOP-FRU * ASYS-EX4T3-MO-FD-FRM-TOP-FRU (ROHS) PAPER-FRONT-GID-T3	T4/T2 Added 16 Jul., 2013 T1/T2 Changed 1/22 T3 Added Jul., 2016 Changed: May, 2018	1	1	1	1	1	1	1	1	1	1	1	1	1	0	0	1		
3-10	0TSBC0112501F 7FM05242000 7FM08298000	Pinch Roller Lower ass'y (with gear) PINCH ROLLER LOWER ASSY-T3 PINCH ROLLER LOWER ASY T3	T1/T2 Added 16 Jul., 2013 T3 Added Jul., 2016 Changed: 4/22	1	1	1	1	1	1	1	1	1	1	1	1	1	0	0	1	B	
3-11	0TSBC0112502F 7FM04976000 0TSBC0112603F 7FM08293200 0TSBC0136402F 7FM08296000 0TSBC0112602F 7FM08293100	Pinch Roller Lower ass'y (with gear) Paper Guide Ass'y ASYB-EX4T1-MO-FEED-GUIDE-BK-FRU (ROHS) PAPER-GUIDE-T1T3 ASYB-EX4T2-MO-FEED-GUIDE-BK-FRU (ROHS) PAPER-GUIDE-T2 ASYB-EX4T1-MO-FEED-GUIDE-BK-FRU (ROHS) PAPER-GUIDE-T1T3	deleted 23-Feb 2012 Add 5 Nov. 2012 T1 changed Jun., 2014 Changed: 4/22 T2 changed Jun., 2014 Changed: 4/22 T3 Added Jul., 2016 Changed: 4/22	1	1	1	1	1	0	0	0	0	0	0	0	0	0	0	0	1	B
3-12	0TSBC0112301F 0TSBC0127901F 0TSBC0175404F 7FM05245100	Media Sensor Ass'y (with Harness) Media Sensor Ass'y (with Harness) ASYB-EX4T3-LBL-SNSR-FRU (ROHS) MEDIA_SENSOR_ASSY-T3	T1 T2 T3 Added Jul., 2016 Changed: 3/19	1	1	1	1	1	0	0	0	0	0	0	0	1	0	0	1	B	
3-13	0TSBC0112001F 7FM04856000 0TSBC0112003F	Ribbon End Sensor Ass'y Ribbon End Sensor Ass'y ASYB EX4T1 RIBN END SNSR BK FRU (ROHS)	Changed Jul., 2016 Added: 2/17	1	1	1	1	1	1	1	1	1	1	1	0	0	1	1	0	B	

A: B-EX4T1-GS12-QM-R B: B-EX4T1-TS12-QM-R C: B-EX4T1-GS12-CN-R D: B-EX4T1-TS12-CN-R  
E: B-EX4T2-GS12-QM-R F: B-EX4T2-TS12-QM-R G: B-EX4T2-HS12-QM-R H: B-EX4T2-GS-12-CN-R I: B-EX4T2-TS12-CN-R J: B-EX4T2-HS12-CN-R  
K: B-EX4D2-GS12-QM-R L: B-EX4D2-GS12-QQ-R  
M: B-EX4T3-HS12-QM-R O: B-EX4T3-HS12-CN-R P: B-EX4T1-GS18-CN-R

### 3. INTERIOR PARTS (2-2)

E08-33031  
B-EX4 Series FEB., 2011  
(Revision Date: Apr., 2022)

Ref. No.	Part No.	Description	Remarks	MOQ	A	B	C	D	E	F	G	H	I	J	K	L	M	O	P	Recommended Parts
3-14	0TSBC0111701F	ASYB-EX4T1-PINCH BELT BK FRU (ROHS) Pinch Roller Upper ass'y (with roll sheet)	T1/T2/D2																	E
	7FM04853000	PINCH ROLLER UPPER ASSY	T1/T2/D2 Changed Jul., 2016	4	4	4	4	4	4	4	4	4	4	4	4	4	0	0	4	
	7FM07612000	PNCH-RLR-EX4T-NON-RUBR	T1 Changed: 4/19	4	4	4	4	4	0	0	0	0	0	0	0	0	0	0	4	
	7FM07612100	PNCH-RLR-EX4T-NON-RUBR	T1 Deleted: 8/20 T2/D2 Changed: 4/19	4	0	0	0	0	4	4	4	4	4	4	4	4	0	0	0	
	7FM05243000	PINCH ROLLER UPPER-T3	T2/D2 Deleted: 8/20																	
	7FM08141000	PINCH-ROLLER-UPPER-T3	T3 Added Jul., 2016 T3 Changed 1/22	1	0	0	0	0	0	0	0	0	0	0	0	0	1	1	0	
3-15	0TSKB0046701F	EX4T2 SPG RLR PNCH UP (A) FRU (ROHS)	T1/T2/D2 Added 5 Sep., 2013	1	2	2	2	2	2	2	2	2	2	2	2	2	0	0	2	
	06LB55429000F	EX4T3-SP-PINCH-30 FRU (ROHS)	T3 Added Jul., 2016	1	0	0	0	0	0	0	0	0	0	0	0	0	2	2	0	
3-16	0TSEB0041401F	EX4T1 PT GUIDE PRESS FRU (ROHS)	T1 Added Jun., 2014	1	1	1	1	1	0	0	0	0	0	0	0	0	0	0	1	
	0TSEB0041501F	EX4T2 PT GUIDE PRESS FRU (ROHS)	T2 Added Jun., 2014	1	0	0	0	0	1	1	1	1	1	1	1	1	0	0	0	
3-17	0TSHC0101503F	EX4T1 MO GUIDE SUPPORT L FRU (ROHS)	Added Jun., 2014	1	1	1	1	1	1	1	1	1	1	1	1	1	1	1	1	
3-18	0TSHC0100903F	EX4T1 MO GUIDE SUPPORT R FRU (ROHS)	Added Jun., 2014	1	1	1	1	1	1	1	1	1	1	1	1	1	1	1	1	
3-19	0TSKB0048602F	EX4T1 SPG GUIDE SUPPORT FRU (ROHS)	Added Jun., 2014	1	2	2	2	2	2	2	2	2	2	2	2	2	2	2	2	
	0TSKB0048603F		Changed Aug., 2014																	
3-20	7FM00144000	Print Head Lever	Added Aug., 2014	1	1	1	1	1	1	1	1	1	1	1	1	1	1	1	1	
3-21	0TSQB0016801F	METAL CAM FRU (ROHS)	T1 Added Aug., 2014	1	1	1	1	1	0	0	0	0	0	0	0	0	0	0	1	
3-22	0TSBC0111201F	ASYB EX4T1 BASE HEAD BK FRU (ROHS)	T1 Added Feb., 2015	1	1	1	1	1	0	0	0	0	0	0	0	0	0	0	1	
	0TSBC0136001F	ASYB EX4T2 BASE HEAD BK FRU (ROHS)	T2 Added Feb., 2015	1	0	0	0	0	1	1	1	1	1	1	0	0	0	0	0	
	0TSBC0136002F	ASYB EX4T2 BASE HEAD BK FRU (ROHS)	D2 Added Feb., 2015	1	0	0	0	0	0	0	0	0	0	0	1	1	0	0	0	
	0TSBC0136003F	ASYB EX4T2 BASE HEAD BK FRU (ROHS)	T3 Added Jul., 2016	1	0	0	0	0	0	0	0	0	0	0	0	0	1	1	0	
3-23	0TSBC0214801F	EX4T2 PT ENG BLK BASE AK FRU (ROHS)	T1/T2/D2 Added Apr., 2016	4	4	4	4	4	4	4	4	4	4	4	4	0	0	4		
		EX4T2 PT ENG BLK BASE AK FRU (with Roller)	T2/D2 Changed: 12/18	1	0	0	0	0	1	1	1	1	1	1	1	0	0	0		
	0TSBC0238901F	EX4T1 PT ENG BLK BASE AK FRU (without Roller)	T1 Added: 12/18	1	1	1	1	1	0	0	0	0	0	0	0	0	0	0	1	
	06LB55434002F	ASYS-EX4T3-PT-ENG-BLK-BS FRU (ROHS)	T3 Added Jul., 2016	1	0	0	0	0	0	0	0	0	0	0	0	0	1	1	0	
	0TSBC0239001F	EX4T3 PT ENG BLK BASE AK FRU (without Roller)	Changed: 12/18																	
3-24	0TSBC0112101F	ASYB EX4T1 SF GUIDE RLR BK FRU (ROHS)	Added Feb., 2017	1	1	1	1	1	1	1	1	1	1	1	1	1	1	1	1	
3-25	0TSCC0193501F	ASYS EX4T1 SF HEAD CAM BK FRU	Added: 2/18	1	1	1	1	1	1	1	1	1	1	1	1	1	1	1	1	
	7FM08301000	ASYS EX4T1 SF HEAD CAM BK FRU	Changed: 4/22																	
3-26	0TSEC0120905F	EX4T1 PT COV PNCH SID FRU (ROHS)	Added: 3/18	1	1	1	1	1	0	0	0	0	0	0	0	0	0	0	1	
	0TSEC0153303F	EX4T2 PT COV PNCH SID FRU (ROHS)	Added: 3/18	1	0	0	0	0	1	1	1	1	1	1	1	1	0	0	0	
	06LB55436001F	ASYS-EX4T3-PT-CV-PNCH-SID FRU (ROHS)	Added: 3/18	1	0	0	0	0	0	0	0	0	0	0	0	0	1	1	0	
3-27	0TSBC0111501F	ASYB EX4T1 PT HEAD BASE BK	T1/T2/D2 Added: 7/18	1	1	1	1	1	1	1	1	1	1	1	0	1	0	0	1	
	0TSBC0111503F	ASYB EX4T1 PT HEAD BASE BK	D2 Added: 7/18	4	0	0	0	0	0	0	0	0	0	0	4	4	0	0	0	
	0TSBC0111504F	ASYB EX4T1 PT HEAD BASE BK	T3 Added: 7/18	1	0	0	0	0	0	0	0	0	0	0	0	0	1	1	0	
	0TSBC0111505F	ASYB EX4T1 PT HEAD BASE BK	T3 Added: 7/18																	
3-28	0TSKB0042002F	EX4T1 SPG HEAD UP FRU	Added: 7/18	1	3	3	3	3	3	3	3	3	3	3	3	3	3	3	3	

A: B-EX4T1-GS12-QM-R B: B-EX4T1-TS12-QM-R C: B-EX4T1-GS12-CN-R D: B-EX4T1-TS12-CN-R  
E: B-EX4T2-GS12-QM-R F: B-EX4T2-TS12-QM-R G: B-EX4T2-HS12-QM-R H: B-EX4T2-GS-12-CN-R I: B-EX4T2-TS12-CN-R J: B-EX4T2-HS12-CN-R  
K: B-EX4D2-GS12-QM-R L: B-EX4D2-GS12-QQ-R  
M: B-EX4T3-HS12-QM-R O: B-EX4T3-HS12-CN-R P: B-EX4T1-GS18-CN-R

### 3. INTERIOR PARTS (2-3)

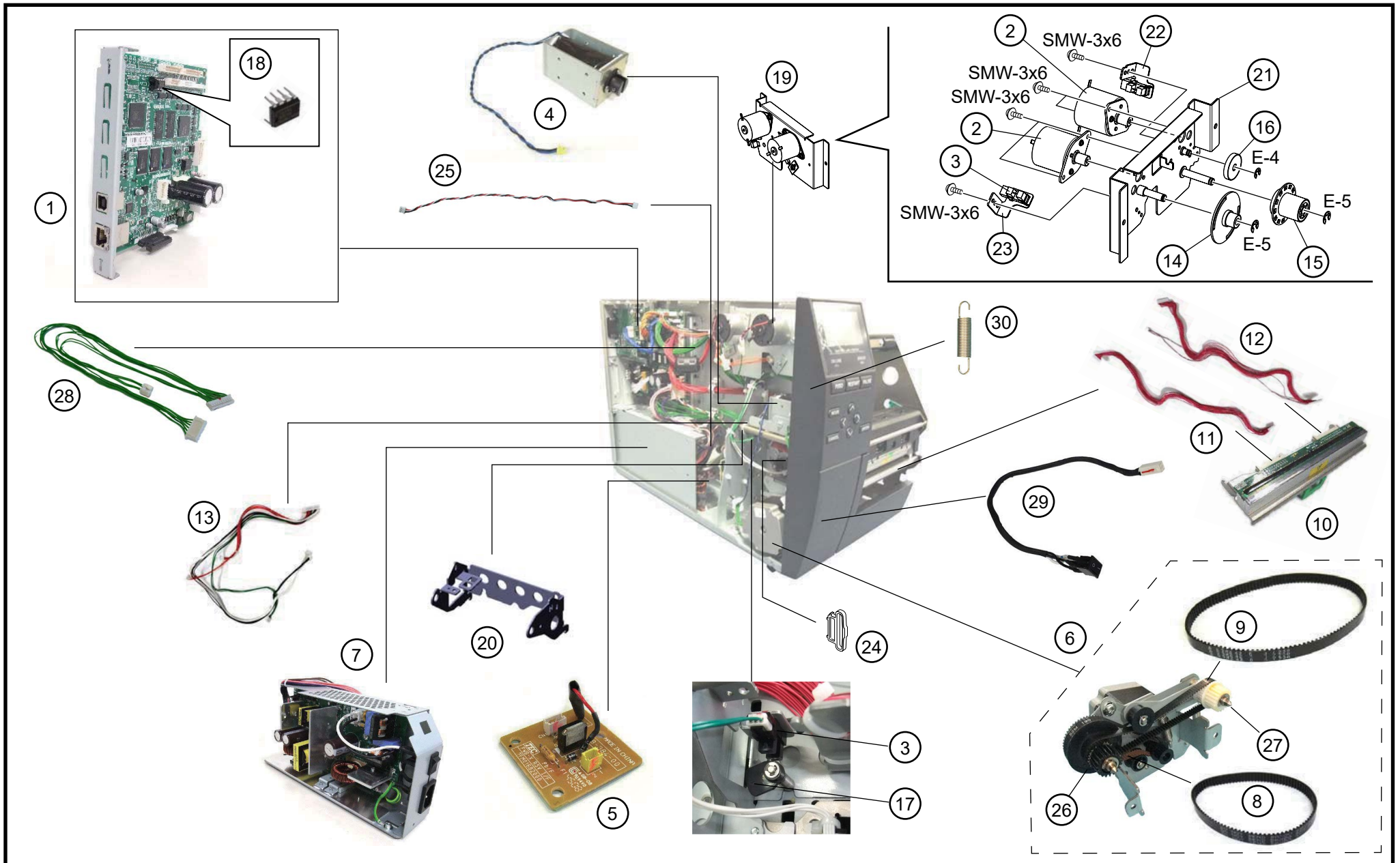
E08-33031  
B-EX4 Series FEB., 2011  
(Revision Date: Apr., 2022)

Ref. No.	Part No.	Description	Remarks	MOQ	A	B	C	D	E	F	G	H	I	J	K	L	M	O	P	Recommended Parts
3-29	7FM07374000	ASYB-PLATEN-RLR-4TJP-BRG FRU	Service part, Added: 10/18	1	0	0	0	0	0	0	0	0	0	0	0	0	(1)	(1)	0	
	7FM08155000	ASYB-PLATEN-RLR-4TJP-BRG	Service part, Changed: 1/22																	
	7FM07375000	ASYB-PLATEN-RLR-4T-BRG FRU	Service part, Added: 10/18	1	(1)	(1)	(1)	(1)	(1)	(1)	(1)	(1)	(1)	(1)	(1)	(1)	0	0	(1)	
	7FM08156000	ASYB-PLATEN-RLR-4T-BRG	Service part, Changed: 1/22																	
3-30	F0-00905000	Bearing RNR-1760X2ZZ	Service part, Added: 10/18	**	-	-	-	-	-	-	-	-	-	-	-	-	-	-	-	
3-31	7FM07395000	ASYB-PINCH-RLR-LOW-4T-BRG FRU	Service part, Added: 10/18	1	0	0	0	0	0	0	0	0	0	0	0	0	(+)	(+)	0	
			Corrected: 6/20		(1)	(1)	(1)	(1)	(1)	(1)	(1)	(1)	(1)	(1)	(1)	(1)	0	0	(1)	
	7FM08157000	ASYB-PNCH-RLR-LOW-4T-BRG	Service part, Changed: 1/22 T1/T2/D2																	
	7FM07396000	ASYB-PINCH-RLR-LOW-4T3-BRG FRU	Service part, Added: 10/18	1	(+)	(+)	(+)	(+)	(+)	(+)	(+)	(+)	(+)	(+)	(+)	(+)	0	0	(+)	
			Corrected: 6/20		0	0	0	0	0	0	0	0	0	0	0	0	(1)	(1)	0	
	7FM08159000	ASYB-PNCH-RLR-LOW-4T3-BRG	Service part, Changed: 1/22 T3																	
3-32	0TSBC0144401F	ASYB EX4T2 SF GUIDE RLR BK FRU	T2/D2/T3 Added: 10/18	1	0	0	0	0	1	1	1	1	1	1	1	1	1	1	0	
3-33	7FM07613000	PINCH-BELT-RLR-EX4T	T1/T2/D2 Added: 4/19	1	1	1	1	1	1	1	1	1	1	1	1	1	0	0	1	
3-34	0TSCC0193601F	ASYS EX4T1 SF PNCH CAM BK FRU	T1/T2/D2 Added: 4/19	1	1	1	1	1	1	1	1	1	1	1	1	1	0	0	1	
	0TSCC0273401F	ASYS EX4T3 SF PNCH CAM BK FRU	T3 Added: 4/19	1	0	0	0	0	0	0	0	0	0	0	0	0	1	1	0	
3-35	7FM04853000	PINCH ROLLER UPPER ASSY	T1 Added: 6/20	1	1	1	1	1	0	0	0	0	0	0	0	0	0	0	1	
	7FM07876000	PINCH ROLL UP 4TD ASSY	T2/D2 Added: 6/20	1	0	0	0	0	1	1	1	1	1	1	1	1	0	0	0	
3-36	0TSCC0195702F	ASYS EX4T1 MO-PNCH-RLR COV AK FRU	T1/T2/D2 Added: 7/20	1	1	1	1	1	1	1	1	1	1	1	1	1	0	0	1	
	7FM08304000	ASY-EX4T1- MO-PNCH-RLR-CV	Changed: 4/22																	
3-37	0TSCC0194002F	ASYS EX4T1 PT FEED FRM R AK FRU	T1 Added: 9/20	1	1	1	1	1	0	0	0	0	0	0	0	0	0	0	1	
	0TSCC0232601F	ASYS EX4T2 PT FEED FRM R AK FRU	T2/D2 Added: 9/20	1	0	0	0	0	1	1	1	1	1	1	1	1	1	1	0	

A: B-EX4T1-GS12-QM-R B: B-EX4T1-TS12-QM-R C: B-EX4T1-GS12-CN-R D: B-EX4T1-TS12-CN-R  
 E: B-EX4T2-GS12-QM-R F: B-EX4T2-TS12-QM-R G: B-EX4T2-HS12-QM-R H: B-EX4T2-GS-12-CN-R I: B-EX4T2-TS12-CN-R J: B-EX4T2-HS12-CN-R  
 K: B-EX4D2-GS12-QM-R L: B-EX4D2-GS12-QQ-R  
 M: B-EX4T3-HS12-QM-R O: B-EX4T3-HS12-CN-R P: B-EX4T1-GS18-CN-R

# 4. INTERIOR PARTS (3)

EO8-33031  
B-EX4 Series FEB., 2011  
(Revision Date: Apr., 2023)



#### 4. INTERIOR PARTS (3-1)

E08-33031  
B-EX4 Series FEB., 2011  
(Revision Date: Jan., 2022)

Ref. No.	Part No.	Description	Remarks	MOQ	A	B	C	D	E	F	G	H	I	J	K	L	M	O	P	Recommended Parts	
4-1	0TSBC0113801F	Main PC Board Ass'y	T1-QM-R <sup>*1</sup>	1	1	1	0	0	0	0	0	0	0	0	0	0	0	0	0	E	
	0TSBC0113802F	Main PC Board Ass'y	T1-CN-R <sup>*1</sup>	1	0	0	1	1	0	0	0	0	0	0	0	0	0	0	1	E	
	7FM07960000	Main PC Board Ass'y-VU	T1-QM-R/T1-CN-R <sup>*2</sup> Added: Mar., 2022	1	1	1	1	1	0	0	0	0	0	0	0	0	0	0	1	E	
	0TSBC0113803F	Main PC Board Ass'y	for JAPAN T1 model <sup>*1</sup>	--	--	--	--	--	--	--	--	--	--	--	--	--	--	--	--	E	
	7FM07959000	Main PC Board Ass'y-VU-JP	for JAPAN T1 model <sup>*2</sup> Added: Mar., 2022	--	--	--	--	--	--	--	--	--	--	--	--	--	--	--	--	E	
	0TSBC0113807F	Main PC Board Ass'y	T2-GS/T2-TS-QM-R	1	0	0	0	0	1	1	0	0	0	0	4	0	0	0	0	E	
	0TSBC0113806F	Main PC Board Ass'y	T2-GS/T2-TS-CN-R	1	0	0	0	0	0	0	0	1	1	0	0	0	0	0	0	E	
	0TSBC0113808F	Main PC Board Ass'y	T2-HS-CN-R	1	0	0	0	0	0	0	0	0	0	1	0	0	0	0	0	E	
	0TSBC0113809F	Main PC Board Ass'y	T2-HS-QM-R	1	0	0	0	0	0	0	1	0	0	0	0	0	0	0	0	E	
	0TSBC0113812F	Main PC Board Ass'y	D2-GS-QM-R	1	0	0	0	0	0	0	0	0	0	0	1	0	0	0	0	E	
	0TSBC0113817F	Main PC Board Ass'y	D2-GS-QQ-R	1	0	0	0	0	0	0	0	0	0	0	1	0	0	0	0	E	
	0TSBC0175802F	ASYS EX4T3 MAIN PCB FRU (ROHS)	T3-QM/CN <sup>*1</sup> Added Jul., 2016	1	0	0	0	0	0	0	0	0	0	0	0	0	1	1	0	E	
	7FM07961000	Main PC Board Ass'y-VU-T3	T3-QM/CN <sup>*2</sup> Added: Mar., 2022	1	0	0	0	0	0	0	0	0	0	0	0	0	1	1	0	E	
<p><b>NOTE:</b> The memory expansion model "B-EX4T Version Up printer" has been added. Main PC Board Ass'y with "<sup>*1</sup>" attached is dedicated to the conventional models, and the one with "<sup>*2</sup>" attached is dedicated to the memory expansion models. Since there is no interchangeability between the conventional and new main boards, use the conventional firmware for the conventional models, and the new one for the memory expansion models. On how to identify the two types of main boards, refer to the maintenance manual.</p>																					
4-2	0TSCB0238701F	Ribbon Motor (FEED/ TAKE UP)		1	2	2	2	2	2	2	2	2	2	2	0	0	2	2	2	D	
4-3	0C0-17530000F 0C0-12020000F C0-12020000 C0-16141000	Slit sensor Ass'y Slit Sensor GP1S173LCS2F	changed Corrected: Mar., 2017 changed 31 May 2012 changed Jul., 2014	1	3	2	3	2	3	2	3	2	3	2	1	0	1	3	2	3	B
4-4	07FM01215000F 7FM01215000	Ribbon save magnet Ass'y (with harness)	T1 changed 31 May 2012	**	1	1	1	1	0	0	0	0	0	0	0	0	0	0	1	D	
4-5	0TSPC0031301F 0TSCB0244404F 0TSCB0244102F	Ribbon save magnet CNT PC Board	T1 changed changed March 01,	1	1	1	1	1	0	0	0	0	0	0	0	0	0	0	1	D	
4-6	0TSBC0112801F 0TSBC0136501F 0TSBC0136502F	Stepping Motor Ass'y Stepping Motor Ass'y Stepping Motor Ass'y	T1 T2 Corrected: Mar., 2017 T3 Added Jul., 2016	1	1	1	1	1	0	0	0	0	0	0	0	0	0	1	0	E	
4-7	0TSBC0113901F 0TSBC0113904F 7FM08025000	PS Unit Ass'y PS Unit Ass'y EX4T3-PS-UNITASSY-JP	T1/T2/D2 Corrected: Mar., T3 Added Jul., 2016 T3 Changed Jan., 2022	1	1	1	1	1	1	1	1	1	1	1	1	0	1	0	1	E	
4-8	0TSQC0139503F	Timing belt (60S2M190U)	Corrected: Mar., 2017	1	1	1	1	1	1	1	1	1	1	1	1	0	1	1	1	B	
<p>A: B-EX4T1-GS12-QM-R B: B-EX4T1-TS12-QM-R C: B-EX4T1-GS12-CN-R D: B-EX4T1-TS12-CN-R E: B-EX4T2-GS12-QM-R F: B-EX4T2-TS12-QM-R G: B-EX4T2-HS12-QM-R H: B-EX4T2-GS-12-CN-R I: B-EX4T2-TS12-CN-R J: B-EX4T2-HS12-CN-R K: B-EX4D2-GS12-QM-R L: B-EX4D2-GS12-QQ-R M: B-EX4T3-HS12-QM-R O: B-EX4T3-HS12-CN-R P: B-EX4T1-GS18-CN-R</p>																					

#### 4. INTERIOR PARTS (3-2)

E08-33031  
B-EX4 Series FEB., 2011  
(Revision Date: Apr., 2023)

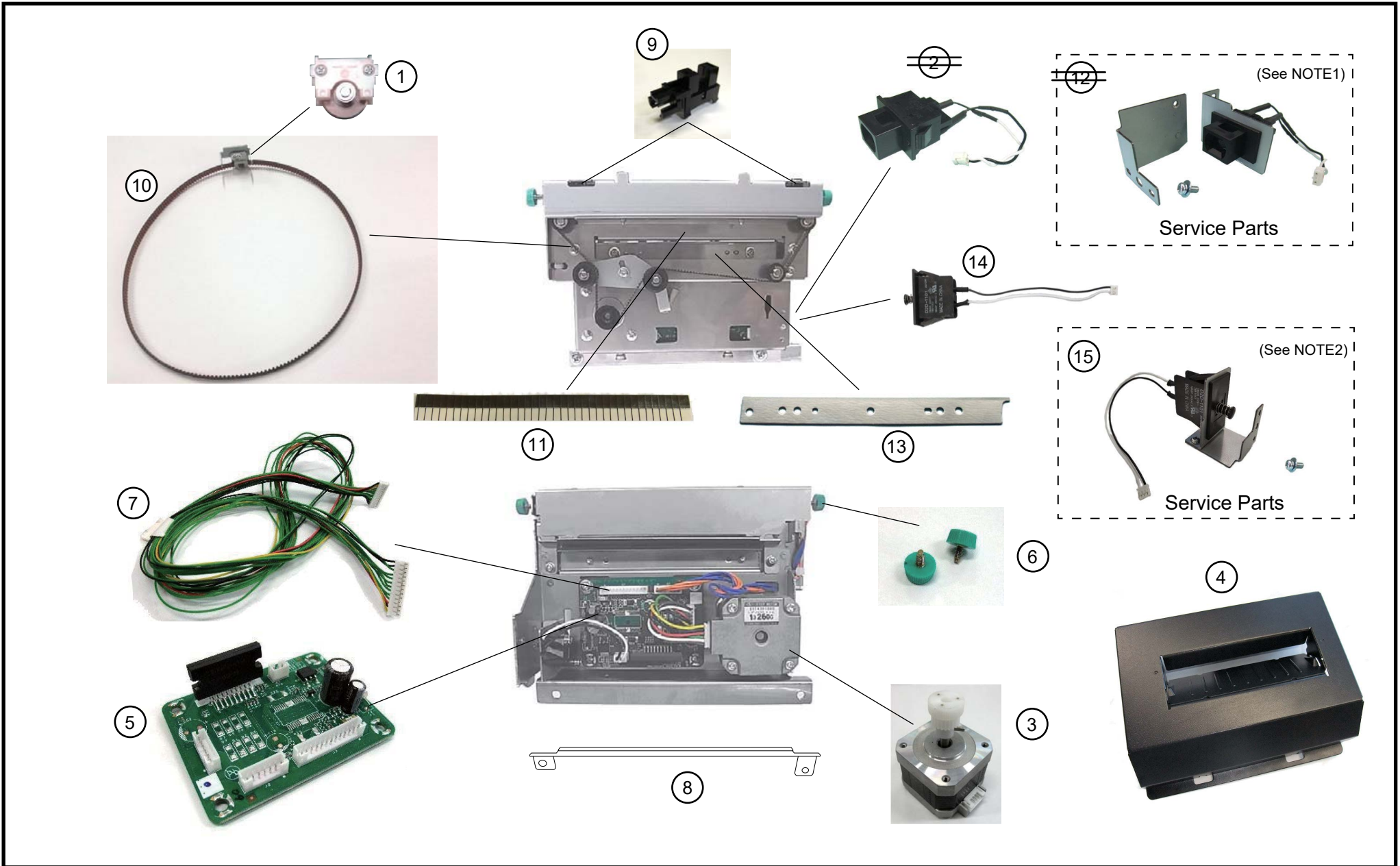
Ref. No.	Part No.	Description	Remarks	MOQ	A	B	C	D	E	F	G	H	I	J	K	L	M	O	P	Recommended Parts
4-9	0TSQC0139504F	EX4T1 FEED BELT 602M242U FRU (ROHS) Timing belt (60S2M242U)	T1	10	1	1	1	1	0	0	0	0	0	0	0	0	0	0	1	B
	0TSQC0139507F	Timing belt (60S2M262U)	T2/D2/T3 Corrected: Mar., 2017	**	0	0	0	0	1	1	1	1	1	1	1	0	1	1	0	B
4-10	0TSBC0117001F	B-EX704-TPHE2-QM-R FRU (ROHS) (Print Head Ass'y (200 dpi))	T1	1	1	0	1	0	0	0	0	0	0	0	0	0	0	0	1	A
		EX4T1 HEAD 200DPI FRU (ROHS)	changed Feb., 2015																	
	0TSBC0117201F	B-EX704-TPHE3-QM-R FRU (ROHS) (Print Head Ass'y (300 dpi))	T1	1	0	1	0	1	0	0	0	0	0	0	0	0	0	0	0	A
		EX4T1 HEAD 300DPI FRU (ROHS)	changed Feb., 2015																	
	0TSBC0145001F	Print Head Ass'y (200 dpi)	T2-GS, D2-GS Corrected: Mar., 2017	1	0	0	0	0	1	0	0	1	0	0	1	0	0	0	0	A
		Print Head Ass'y (300 dpi)	T2-TS	1	0	0	0	0	0	1	0	0	1	0	0	0	0	0	0	A
	0TSBC0145201F	Print Head Ass'y (600 dpi)	T2-HS	1	0	0	0	0	0	0	1	0	0	1	0	0	0	0	0	A
	7FM05244000	EX4T3_HEAD_600DPI_JP_FRU (ROHS)	T3-HS Added Jul., 2016	1	0	0	0	0	0	0	0	0	0	0	0	0	1	1	0	
4-11	0TSCB0225503F	B-EX HARNESS PWR K FRU (ROHS)	T1/T2/D2 Added Nov., 2013 Corrected: Mar., 2017	**	1	1	1	1	1	1	1	1	1	1	1	0	1	0	0	1
		B-EX HARNESS PWR K FRU (ROHS)	T3 Added Jul., 2016		0	0	0	0	0	0	0	0	0	0	0	0	1	1	0	
4-12	0TSCB0225704F	B-EX HARNESS SIG K FRU (ROHS)	Added Nov., 2013 Corrected: Mar., 2017	**	1	1	1	1	1	1	1	1	1	1	1	0	1	1	1	
4-13	0TSCB0225604F	B-EX SENSOR K FRU (ROHS)	Added Dec., 2013 Corrected: Mar., 2017	**	1	1	1	1	1	1	1	1	1	1	1	0	0	0	1	
		(Sensor Harness)	Added: 4/23 (Supplementary description)																	
	0TSBCB012004F	HRN-BEX4T3-SENSOR-K FRU (ROHS)	T3 Added Jul., 2016		0	0	0	0	0	0	0	0	0	0	0	0	1	1	0	
	0TSBB0120001F		Corrected: Apr. 2017																	
4-14	FMHC0008201	Ribbon Take-up Slit Gear	Same as B-SX4T SERIES	1	1	1	1	1	1	1	1	1	1	1	0	0	1	1	1	
4-15	FMHC0026201	Ribbon Feed Slit Gear	Same as B-SX4T SERIES	1	1	1	1	1	1	1	1	1	1	1	0	0	1	1	1	
4-16	FMHB0018301	Idler Gear	Same as B-SX4T SERIES	1	1	1	1	1	1	1	1	1	1	1	0	0	1	1	1	
4-17	0TSHC0073302F	EX4T1 MO SNSR LEVER FRU (ROHS)	Added Jun., 2014	1	1	1	1	1	1	1	1	1	1	1	1	1	1	1	1	
4-18	0C0-17479000F	AT24C02-PUM FRU (ROHS)	Added Jul., 2014	1	1	1	1	1	1	1	1	1	1	1	1	1	1	1	1	
4-19	0TSBC0149001F	ASYB EX4T2 RIBN BK FRU (ROHS)	Added Jul., 2014	1	1	1	1	1	1	1	1	1	1	1	0	0	0	0	1	E
	TBA	ASYB EX4T3 RIBN BK FRU (ROHS)		1	0	0	0	0	0	0	0	0	0	0	0	0	1	1	0	
	0TSBC0232104F	ASYB EX4T RIBN BK FRU	Added: 4/18																	
	7FM08300000	ASYB EX4T RIBN BK FRU	Changed: 4/22																	
4-20	0TSED0086607F	EX4T1 PT PRINT ROTOR FRU (ROHS)	Added Sep., 2014	1	1	1	1	1	1	1	1	1	1	1	1	1	1	1	1	
4-21	07FM00105000F	ASYS-RIBBON-GEAR-FRAME-SX FRU (ROHS)	Added Jan., 2015	1	1	1	1	1	1	1	1	1	1	1	0	0	1	1	1	
4-22	7FM00061000	Slit Sensor Mounting Plate (Feed)	Added Jul., 2014	1	1	1	1	1	1	1	1	1	1	1	0	0	1	1	1	
	7FM08000000	ASY-ATC-PLATE-A-SLIT-SNR	Changed: 7/21																	
4-23	7FM00066000	Slit Sensor Mounting Plate (Take-up)	Added Jul., 2014	1	1	1	1	1	1	1	1	1	1	1	0	0	1	1	1	
4-24	0TSHC0072604F	EX4T1 MO STOPPER FRU (ROHS)	Added Apr., 2016	1	1	1	1	1	1	1	1	1	1	1	1	1	1	1	1	
4-25	0TSCB0225406F	B-EX SOLENOID K FRU	Added: 5/17	1	1	1	1	1	1	1	1	1	1	1	1	1	1	1	1	
	7FM07510000	HRNS-SOLENOID-EX	Changed: 3/19																	
4-26	0TSHD0039402F	EX4T1 MO FEED PULLEY FRU (Black)	Added: 4/19	1	1	1	1	1	1	1	1	1	1	1	1	1	1	1	1	
4-27	0TSHD0043101F	EX4T1 MO PLATEN PULLEY FRU	Added: 4/19	1	1	1	1	1	1	1	1	1	1	1	1	1	1	1	1	

A: B-EX4T1-GS12-QM-R B: B-EX4T1-TS12-QM-R C: B-EX4T1-GS12-CN-R D: B-EX4T1-TS12-CN-R  
 E: B-EX4T2-GS12-QM-R F: B-EX4T2-TS12-QM-R G: B-EX4T2-HS12-QM-R H: B-EX4T2-GS-12-CN-R I: B-EX4T2-TS12-CN-R J: B-EX4T2-HS12-CN-R  
 K: B-EX4D2-GS12-QM-R L: B-EX4D2-GS12-QQ-R  
 M: B-EX4T3-HS12-QM-R O: B-EX4T3-HS12-CN-R P: B-EX4T1-GS18-CN-R



# 5. Circle cutter module (B-EX204-QM-R)

EO8-33031  
B-EX4 Series FEB., 2011  
(Revision Date: Jan., 2022)



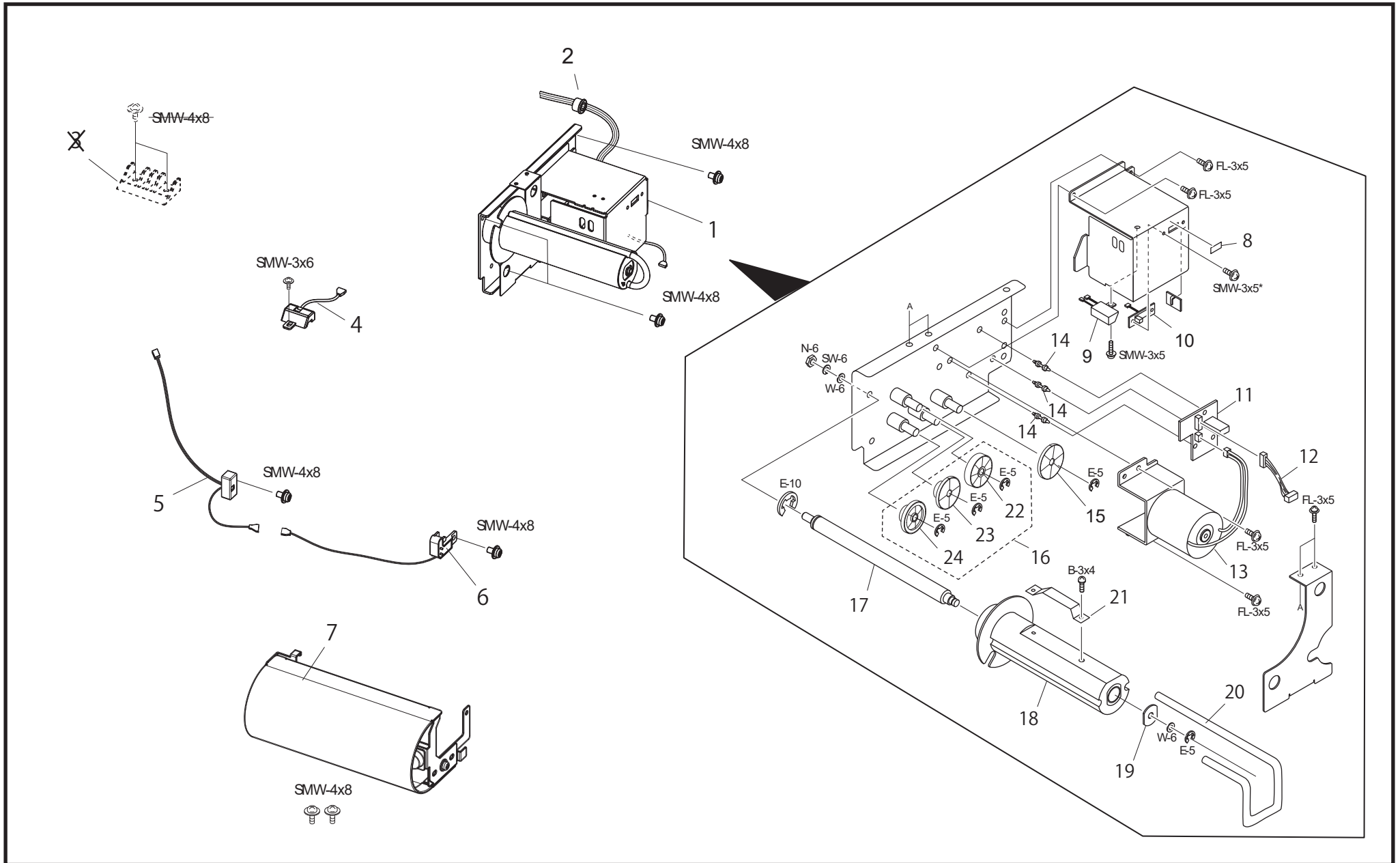
## 5. Circle cutter module (B-EX204-QM-R)

E08-33031  
B-EX4 Series FEB., 2011  
(Revision Date: Mar., 2022)

Ref. No.	Part No.	Description	Remarks	MOQ	A								Recommended Parts
5-1	0TSBC0126801F	Carrier Ass'y		1	1								E
		ASYB-EX204-CARR-DISK-FRU(ROHS)	Configuration change Nov., 2014										
	7FM04977000	DISK CUTTER CARRIER ASS'Y	Changed: 3/18										
5-2	0TSCB0252101F	Home position switch		4	4								E
	7FM04978000	INTERLOCK SW ASS'Y	Changed: 3/18										
	7FM07381000	EX204-INTERLOCK-SW	Changed: 9/18										
	Ref. No. 5-2 was discontinued and replaced with Ref. No. 5-14.		Deleted: 3/22										
5-3	0TSBC0126501F	Stepping motor		1	1								E
	7FM04979000	DISK CUTTER MOTOR	Changed: 3/18										
5-4	0TSCC0201401F	Cutter cover		1	1								
		ASYS-EX204-PT-FRT-COV (ROHS)-FRU	changed Mar., 2016										
	7FM04980000	DISK CUTTER COVER	Changed: 3/18										
5-5	0TSCC0196001F	Disk cutter I/F PCB Board		1	1								E
	7FM04981000	DISK CUTTER PCB ASSY	Changed: 3/18										
5-6	07FM01620100F	Screw		1	2								A
	7FM01620100		changed May 31 2012										
	7FM04982000		changed Jun 11 2013										
5-7	0TSCB0194903F	Cutter harness-		1	1								E
	7FM04983000		changed Jun 11 2013										
	7FM07509000	HRNS-DISK-CUTTER-EX	Changed: 3/19										
5-8	0TSEC0142102F	EX-204 PT GUIDE UPR T2 FRU (ROHS) (Accessory for B-EX4T2 Series Printer)		1	1								
5-9	C0-16141000	Slit Sensor GP1S173LCS2F		1	2								
5-10	0TSBC0126601F	ASYB BELT CARR FRU(ROHS)	Configuration change Nov., 2014	1	1								
5-11	0FMQB0043601F	CUTTER ANTI STATIC BRUSH 8.5 FRU (ROHS)		1	1								
	FMQB0043601		Added Mar, 2016										
			Changed 6/20										
5-12	7FM07382000	EX204-INTERLOCK-SW-SET (see NOTE1)	Service part, Added: 9/18	**	-								
	Ref. No. 5-12 was discontinued and replaced with Ref. No. 5-15.		Deleted: 3/22										
5-13	0TSEC0134205F	EX204 PT BLADE FRU		1	1								
5-14	7FM08225000	EX204-INTERLOCK-SW	Added: 2/20	1	1								
5-15	7FM08115000	ASYB-EX204-SWITCH	Added: 3/22	1	1								
			Service part, Added: 3/22	**	-								
	<p>NOTE1: Interlock switch changed in August 2018. To replace the interlock switch of the previous cutter unit serial number # 2318P240294, please use # 5-12 "EX204-INTERLOCK SW-SET".</p> <p>NOTE2: The current interlock switch has been discontinued in December 2021, and the new one has been applied from January 2022. To replace the interlock switch with new one, use # 5-15 "ASYB-EX204-SWITCH".</p>												

# 6. Peel off module (B-EX904-H-QM-R)

EO8-33031  
B-EX4 Series SEP., 2021



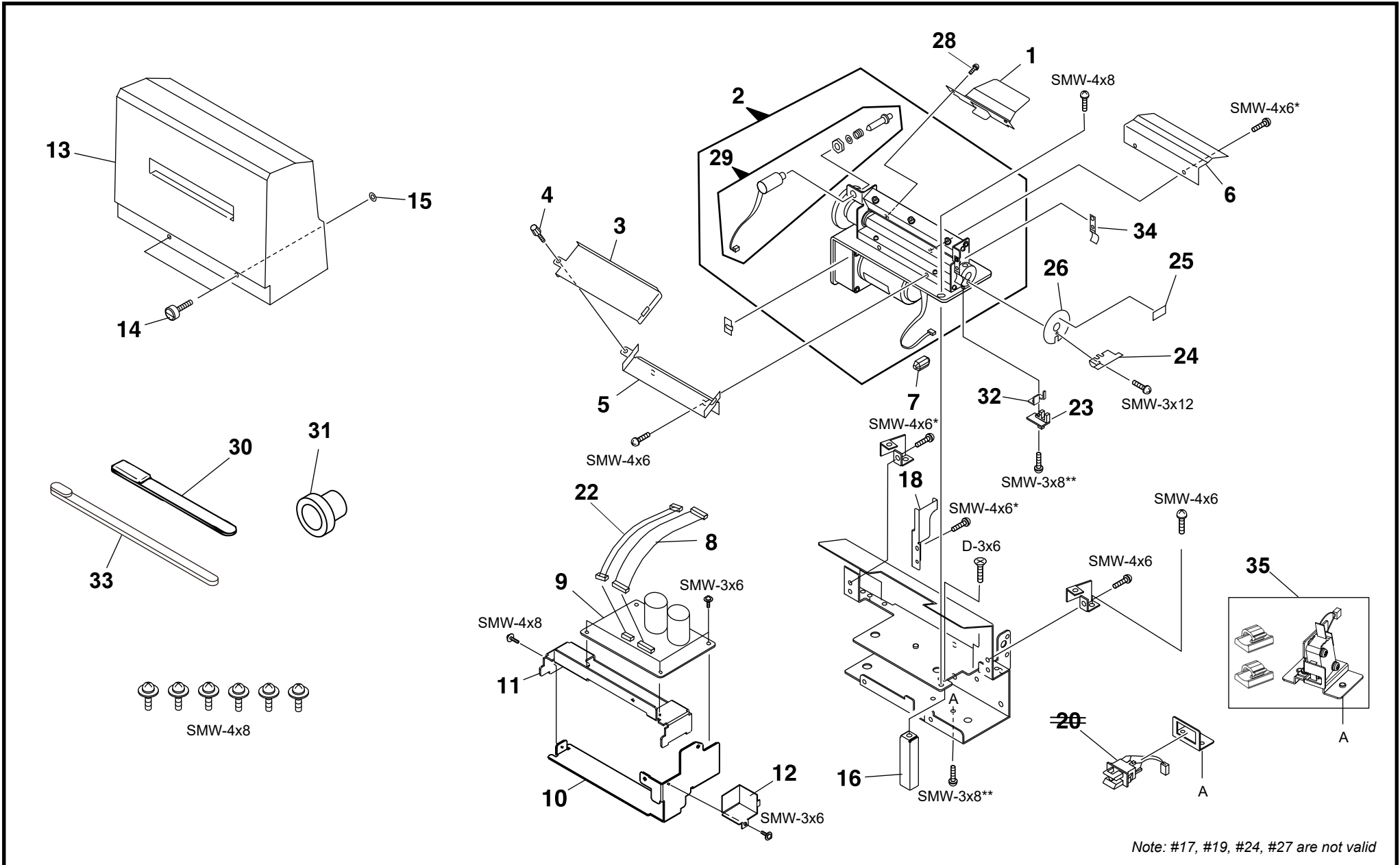
## 6. Peel off module (B-EX904-H-QM-R)

E08-33031  
B-EX4 Series FEB., 2011  
(Revision Date: Jan., 2022)

Ref. No.	Part No.	Description	Remarks	MOQ	A								Recommended Parts
6-1	FMBD0024703	Rewinder Ass'y	sama as B-9904-H-QM-R	**	1								
	<del>0FMBD0024704E</del>	<del>BACKING PAPER WIND BLOCK B ASSY FRU (ROHS)</del>	<del>changed: 01/'16</del>										
	7FM07067000	ASYB-REWIND-BLOCK-B-EX	Changed: 01/'18										
	7FM07067100	ASYB-REWIND-BLOCK-B-EX	Changed: 3/'19										
	7FM08192000	ASYB-REWIND-BLOCK-B-EX	Changed: 1/'22										
6-2	F0-00168000	Cable Bush OLBT-13	sama as B-9904-H-QM-R	1	1								
6-3	FMHB0024804	Rewind Paper Guide	sama as B-9904-H-QM-R	4	4								
			Deleted: 3/'19										
6-4	FMBB0031502	Rewind Full Sensor (LED)	sama as B-9904-H-QM-R	1	1								E
6-5	7FM04994000	STRIP SENSOR(TR)EX		1	1								E
	7FM04991100	STRIP SENSOR(TR)EX	Changed: 3/'19										
6-6	7FM04990000	STRIP SENSOR(LED)EX		1	1								E
6-7	FMBD0034502	Rewinder Guide Plate	sama as B-9904-H-QM-R	1	1								
6-8	FMMB0044201	Slide Switch Label	sama as B-9904-H-QM-R	1	1								
6-9	FMBB0034402	Rewind Full Sensor (TR)	sama as B-9904-H-QM-R	1	1								E
	7FM07542000	ASYS-BACK-PAPER-FL-SENS-X	Changed: 3/'19										
	7FM07467000	ASYB-REWIND-FULL-SENS	Changed: 6/'19										
	7FM07512000	ASYS-BACK-PAPER-FL-SENS-X	Corrected: 8/'19										
6-10	7FM04562000	Slide Switch	sama as B-9904-H-QM-R	1	1								
	7FM07511000	ASYS-TORQUESW-X	Changed: 3/'19										
6-11	attach	PWA-SX-PC-Board Ass'y	sama as B-9904-H-QM-R	1	1								E
	7FM01489100	PWA-SX-PWM-R	Changed: 01/'18										
	7FM07470000	PWA-SX-PWM-R	Changed: 3/'19										
6-12	FMCB0056602	Motor Drive Harness	sama as B-9904-H-QM-R	4	4								
	7FM04989000	PEEL-OFF HARNESS	collection MAR,'13	1	1								
6-13	7FM00328100	Rewinder Motor	sama as B-9904-H-QM-R	1	1								E
6-14	F0-00144000	Locking Support LCBT-3S	sama as B-9904-H-QM-R	1	3								
6-15	FMHB0018201	Idler Gear	sama as B-9904-H-QM-R	1	1								
6-16	FMHB0019704	Take-up Gear	sama as B-9904-H-QM-R	4	3								
	7FM08086000	WIND GEAR SET FRU	Changed: 10/'21	1	1								
6-17	FMDC0005601	Take-up Shaft	sama as B-9904-H-QM-R	1	1								
6-18	FMCB0060602	Take-up Holder	sama as B-9904-H-QM-R	1	1								
6-19	FMEB0084502	Ribbon Shaft Stopper	sama as B-9904-H-QM-R	1	1								
6-20	7FM05007000	EX904-SHAFT-STOPPER		1	1								
6-21	FMQB0036201	Holder Stopper	sama as B-9904-H-QM-R	1	1								
6-22	7FM07015000	WIND-IDLE-GEAR-FRU	white-single-gear	1	1								
6-23	FMHB0019701	Take-up Gear	black-double-gear	1	1								
6-24	7FM07014000	WIND-GEAR-B FRU	white-double-gear	1	1								

# 7. Rotary cutter module (B-EX204-R-QM-R)

EO8-33031  
 B-EX4 Series FEB., 2011  
 (Revision Date: Nov., 2021)



## 7. Rotary cutter module (B-EX204-R-QM-R)

E08-33031  
B-EX4 Series FEB., 2011  
(Revision Date: Oct., 2022)

Ref. No.	Part No.	Description	Remarks	MOQ	A								Recommended Parts
7-1	FMEC0069104	Cutter Paper Guide C											
	FMEC0083601	Cutter Guide SX	Changed: 6/15	1	1								
7-2	G0-00416000	Cutter Unit											
	G0-00701000	Cutter Unit (#YZ3-32479902) *See Note	Changed: 1/12										
	7FM07040000	ASYB-EX204-CUTTER-BK	Changed: 6/15	1	1								
7-3	FMBB0043601	Paper Guide A		1	1								
7-4	7FM01620000	White Screw M-3x4		1	1								
7-5	FMBB0043704	Paper Guide B											
	FMEC0046101	Paper Guide B	Changed: 6/15	1	1								
7-6	FMBB0102404	B-SX Cutter Paper Guide C											
	FMEC0069201	N Cutter Guide D	Changed: 6/15	1	1								
7-7	D0-04583000	Ferrite Bead SFC-4		1	1								
	D0-34918000	Ferrite Bead GRFC-4	Changed: 1/19										
7-8	7FM04987000	ROTARY CUTTER HARNESS											
	7FM07042000	HRNS-B-EX-RCUTTER-MAIN	Changed: 6/15	1	1								
7-9	7FM01497000	Rotary Cutter PC Board Ass'y (Service No. B-386-00)											
	7FM01497100	Rotary Cutter PC Board Ass'y (Service No. B-386-01) *See	Changed: 1/12										
	7FM07043000	PWA-ROTARY-CUTTER	Changed: 6/15	1	1								
7-10	7FM01068000	Rotary Cutter Frame B		1	1								
7-11	7FM01067000	Rotary Cutter Frame A		1	1								
7-12	FMEC0069402	Rotary Cutter PC Board Cover											
	7FM07044000	N-CUTTER-PCB-COVER	Changed: 6/15	1	1								
7-13	7FM04986000	ROTARY CUTTE COVER EX											
	7FM07045000	ASYS-EX204-R-COVER-COAT	Changed: 6/15	1	1								
	7FM07045100		Changed: 1/19										
7-14	F0-00062000	Cover Holding Screw TL-233 No. 4											
	7FM07046000	M4-THUMB-SCREW	Changed: 6/15	1	2								
7-15	F0-00070000	Speed Nut TM-147-2		1	2								
7-16	FMEB0106302	Cutter Support Plate A											
	7FM07047000	CUTTER-SUPPORT-PLATE-A	Changed: 6/15	1	1								
7-17	FMCC0050102	Main Frame	Deleted: 6/15	4	4								
7-18	FMEB0126702	Cutter Support Plate											
	7FM07048000	N-CUTTER-PCB-COVER	Changed: 6/15	1	1								
7-19	FMEC0069302	Rotary Cutter Frame B	Deleted: 6/15	4	2								
7-20	7FM01554000	Cutter Interlock Switch											
	7FM07049000	B-EX ROTARY CUTTER SW	Changed: 6/15	4	4								
	7FM07049100		Changed: 1/19										
	Ref. No. 7-20 was discontinued and replaced with Ref. No. 7-35.		Deleted: 12/21										

A: B-EX204-R-QM-R

## 7. Rotary cutter module (B-EX204-R-QM-R)

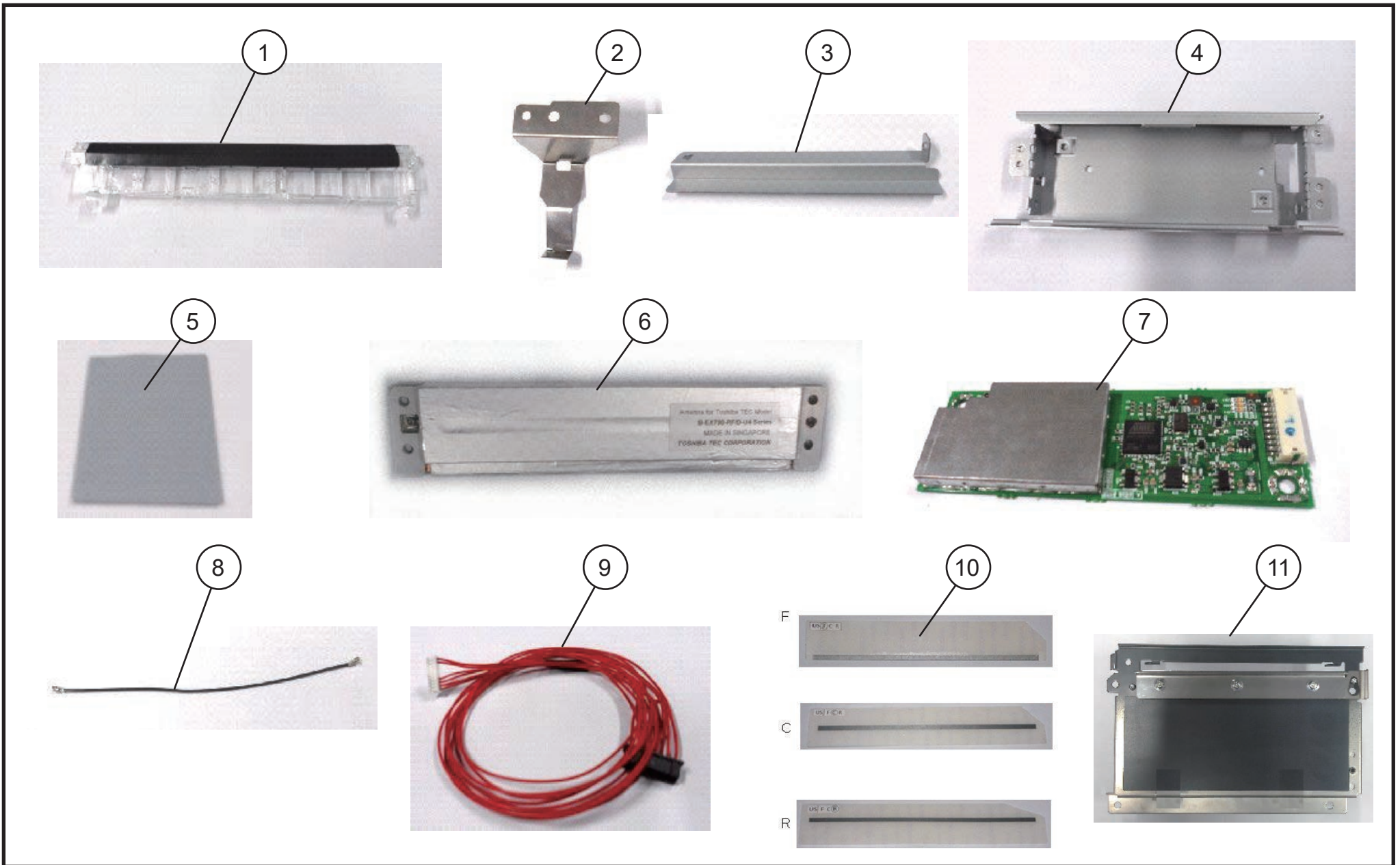
E08-33031  
B-EX4 Series FEB., 2011  
(Revision Date: Oct., 2022)

Ref. No.	Part No.	Description	Remarks	MOQ	A									Recommended Parts
7-21	FMEB0103002	Switch Plate	Deleted: 6/15	4	4									
7-22	FMCB0072401	Cutter Harness												
	7FM07050000	HRNS-RCUTDRV-CHP-SENR	Changed: 6/15	1	1									
7-23	7FM01574000	Home Position Sensor												
	7FM07051000	RCUTDRV-CHP-SENR	Changed: 6/15	1	1									
7-24	FMEB0106201	Release Lever												
	7FM07052000	CUTTER-RELEASE-LEVER	Changed: 6/15	1	1									
7-25	FMMB0050101	Jam Clear Label		1	1									
7-26	FMEB0102802	Sensor Plate												
	7FM07053000	CUTTER- SENSOR-PLATE	Changed: 6/15	1	1									
7-27	FMCB0101501	Cutter DRV Harness B	Deleted: 6/15	4	4									
7-28	7FM01618200	Set Screw M 4x6												
	7FM07054000	M4X6-SEMS-ZC	Changed: 6/15	1	2									
7-29	ZBA-2318001	Trigger Solenoid		1	1									
	G0-00484000		Corrected: 10/22											
7-30	FMQB0051601	Cleaner												
	7FM06783000	HEAD-CLEANER-THCB-3N	Changed: 3/15	1	1									
7-31	F0-00168000	Cable Bush OLBT-13		1	1									
7-32	FDB-0081001	Spacer PS-303												
	7FM07055000	CUTTER-HP-SENSOR-PLATE	Changed: 6/15	1	1									
7-33	7FM06784000	HEAD-CLEANER-THCB-4N		1	1									
	7FM07055000	CUTTER-HP-SENSOR-PLATE	Changed: 6/15	1	1									
7-34	G0-00798000	3247-DETENT-SPRING	Added: 6/19											
7-35	7FM08098000	ASYB-EX204-R-SWITCH	Added: 12/21	1	1									

Note: Change of Cutter Unit and Rotary Cutter PC Board Ass'y has the important compatibility.  
Refer to the Technical Information #SVO14A1008B

# 8. RFID module (B-EX700-RFID-U4 Series)

EO8-33031  
B-EX4 Series FEB., 2011  
(Revision Date: Aug. 2020)



## 8. RFID module (B-EX700-RFID-U4)

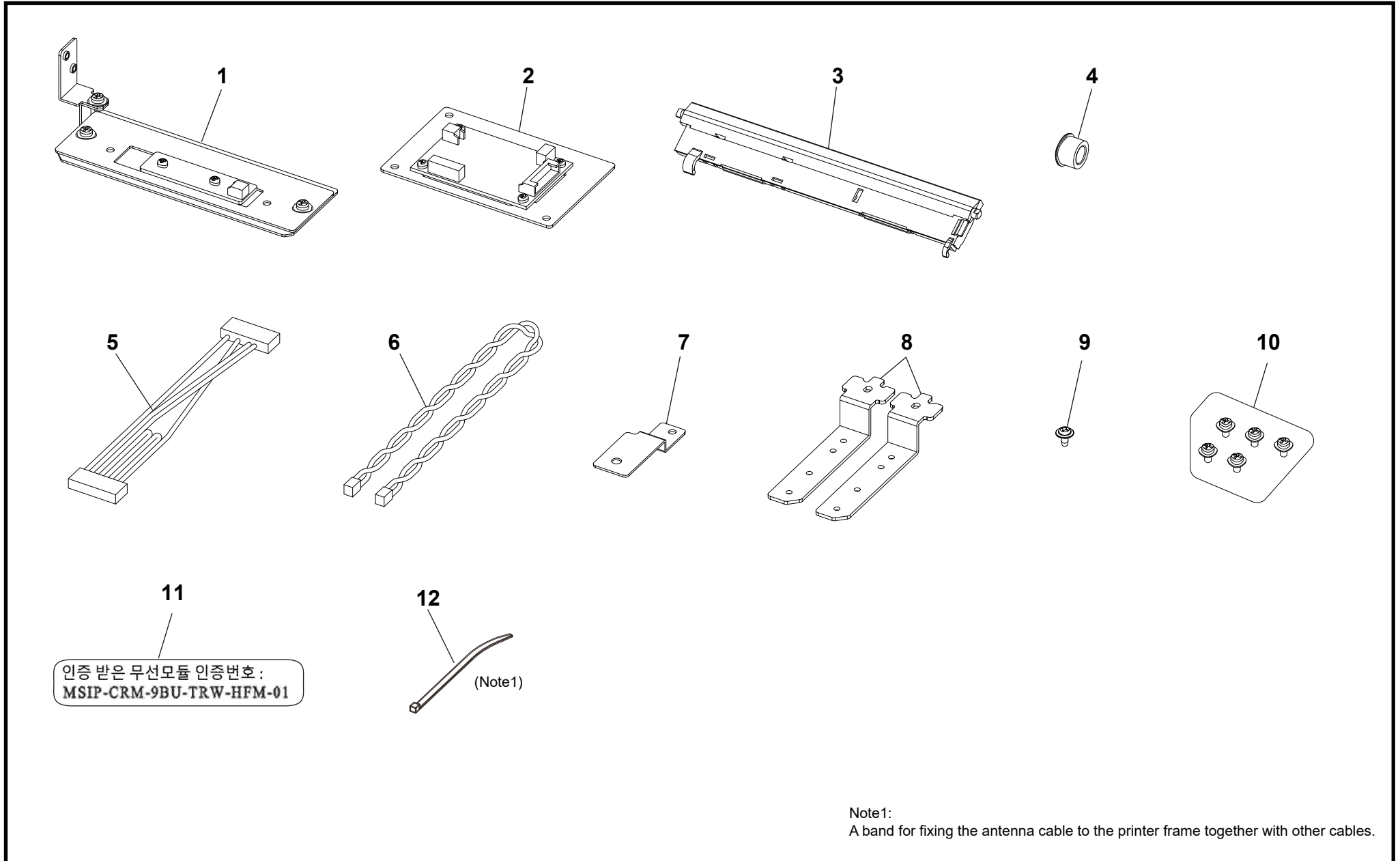
E08-33031  
B-EX4 Series FEB., 2011  
(Revision Date: Jun., 2023)

Ref. No.	Part No.	Description	Remarks	MOQ	A	B	C	D	E	F	Recommended Parts
8-1	0TSBC0152901F	ASYB-GUIDE-RBN-RFID-BK FRU (ROHS)		1	1	1	1	1	1	1	
8-2	0TSEC0161001F	EX700 RFID EARTH PLATE TYPE1 FRU (ROHS)	for Type1	1	1	1	1	1	1	1	
	0TSEC0161101F	EX700 RFID EARTH PLATE TYPE2 FRU (ROHS)	for Type2	0	0	0	0	0	0	0	
8-3	0TSEC0158602F	EX700 RFID PT SHIELD FRU (ROHS)		1	1	1	1	1	1	1	
8-4	0TSEC0158504F	EX700 RFID PT COVER ANT U FRU (ROHS)		1	1	1	1	1	1	1	
8-5	0TSQC0163702F	EX700 RFID HEAT RADIATION SHEET FRU (ROHS)		1	1	1	1	1	1	1	
8-6	0TSBC0153001F	ASYB-ANT-U-RFID-BK FRU (ROHS)		1	1	1	1	1	1	1	
	7FM07504000	ASYB-ANT-U-RFID	Changed: 3/19								
8-7	<del>0TSBC0160601F</del>	<del>ASYB-RFID-PWA-TRW-EU-BK FRU (ROHS)</del>	for EU	1	1	0	0	0	0	0	
	7FM08231000	ASYB-RFID-PWA-TRW-EU-FRU	Changed: 5/22								
	<del>0TSBC0160701F</del>	<del>ASYB-RFID-PWA-TRW-US-BK FRU (ROHS)</del>	for US	1	0	1	0	1	0	1	
	7FM08232000	ASYB-RFID-PWA-TRW-US-FRU	Changed: 5/22								
	7FM08428000	ASYB-RFID-PWA-TRW-US2	Added: 6/23 (Conforming to Taiwan NCC certification)	1	0	1	0	1	0	1	
	<del>0TSBC0160801F</del>	<del>ASYB-RFID-PWA-TRW-CN-BK FRU (ROHS)</del>	Added Feb., 2017 for GS18-CN-R	1	0	0	1	0	1	0	
	7FM08233000	ASYB-RFID-PWA-TRW-CN-FRU	Changed: 5/22								
8-8	<del>0E0-14404000F</del>	<del>AYU1-1S13-D0120-000 (LF) FRU (ROHS)</del>		1	1	1	1	1	1	1	
	7FM07469000	CABLE-RFID	Changed: 3/19								
8-9	<del>0TSCB0251202F</del>	<del>HRNS-EX-RFID-U3 FRU (ROHS)</del>		1	1	1	1	1	1	1	
	7FM07514000	HRNS-RFID-U3-EX	Changed: 3/19								
8-10	0TSBC0160901F	SHIELD LABEL SET (EU) FRU (ROHS)	for EU	1	1	0	1	0	1	0	
	0TSBC0161001F	SHIELD LABEL SET (US) FRU (ROHS)	for US	1	0	1	0	1	0	1	
8-11	7FM05040000	B-EX700-RFID-U4-FRAM FRU (ROHS)	Added Jan., 2014	1	1	1	1	1	1	1	
<p>Note :</p> <p>C: RFID module mounted in B-EX4T1-GS18-CN-R</p> <p>E: RFID module mounted in B-EX4T1-TS18-CN-R</p> <p>F: RFID module mounted in B-EX4T1-TS12-QM-R (UR)</p>											

A: B-EX700-RFID-U4-EU-R B: B-EX700-RFID-U4-US-R C: B-EX4T1-GS18-CN-R D: B-EX700-RFID-U4-AU-R E: B-EX4T1-TS18-CN-R F: B-EX4T1-TS12-QM-R (UR)

# 9. RFID module (B-EX700-RFID-H3)

EO8-33031  
B-EX4 Series JAN., 2017  
Revised: JAN., 2023

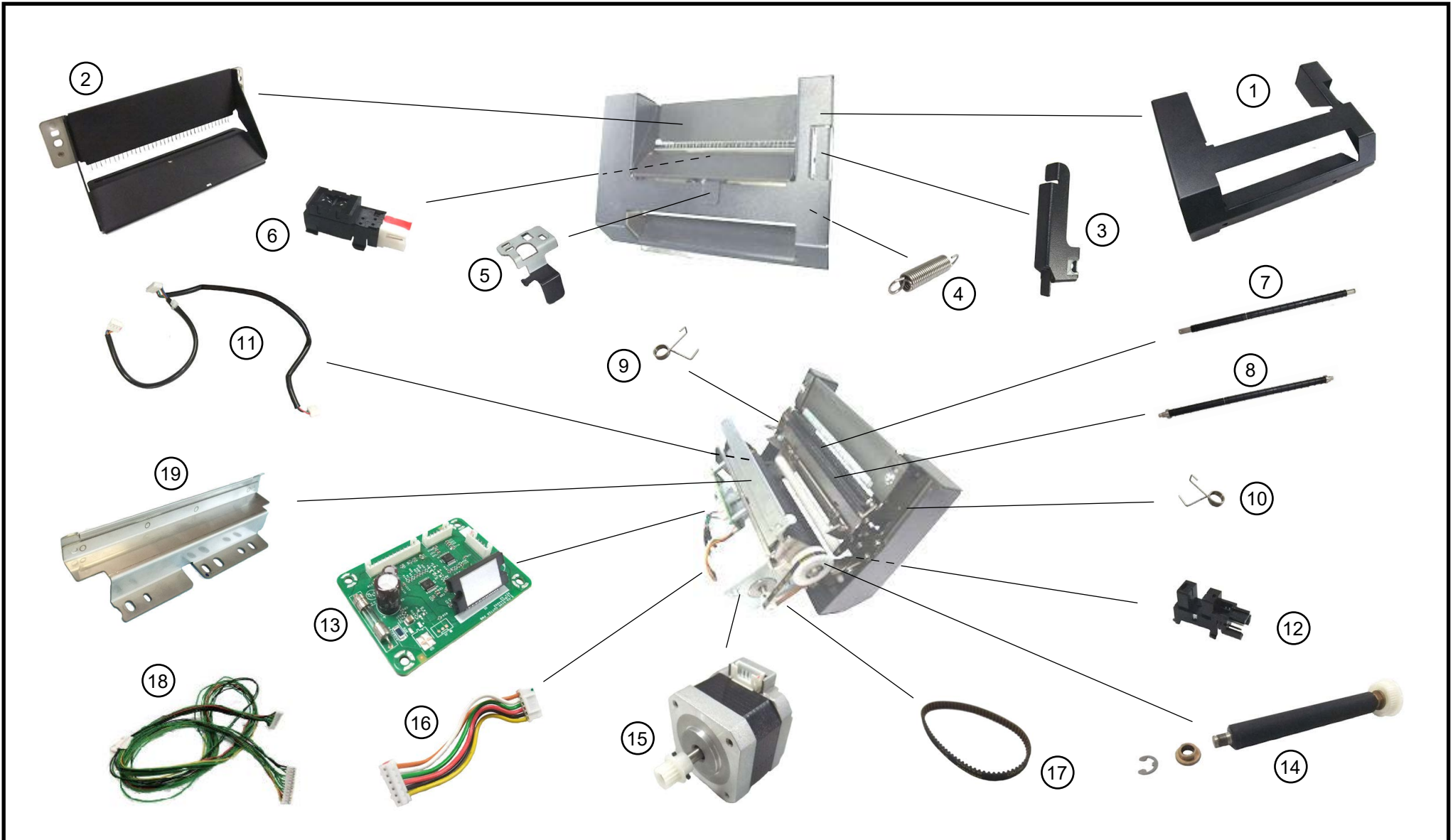


Note1:  
A band for fixing the antenna cable to the printer frame together with other cables.



# 10. High Precision Peel-Off module (B-EX904-HH-QM-R)

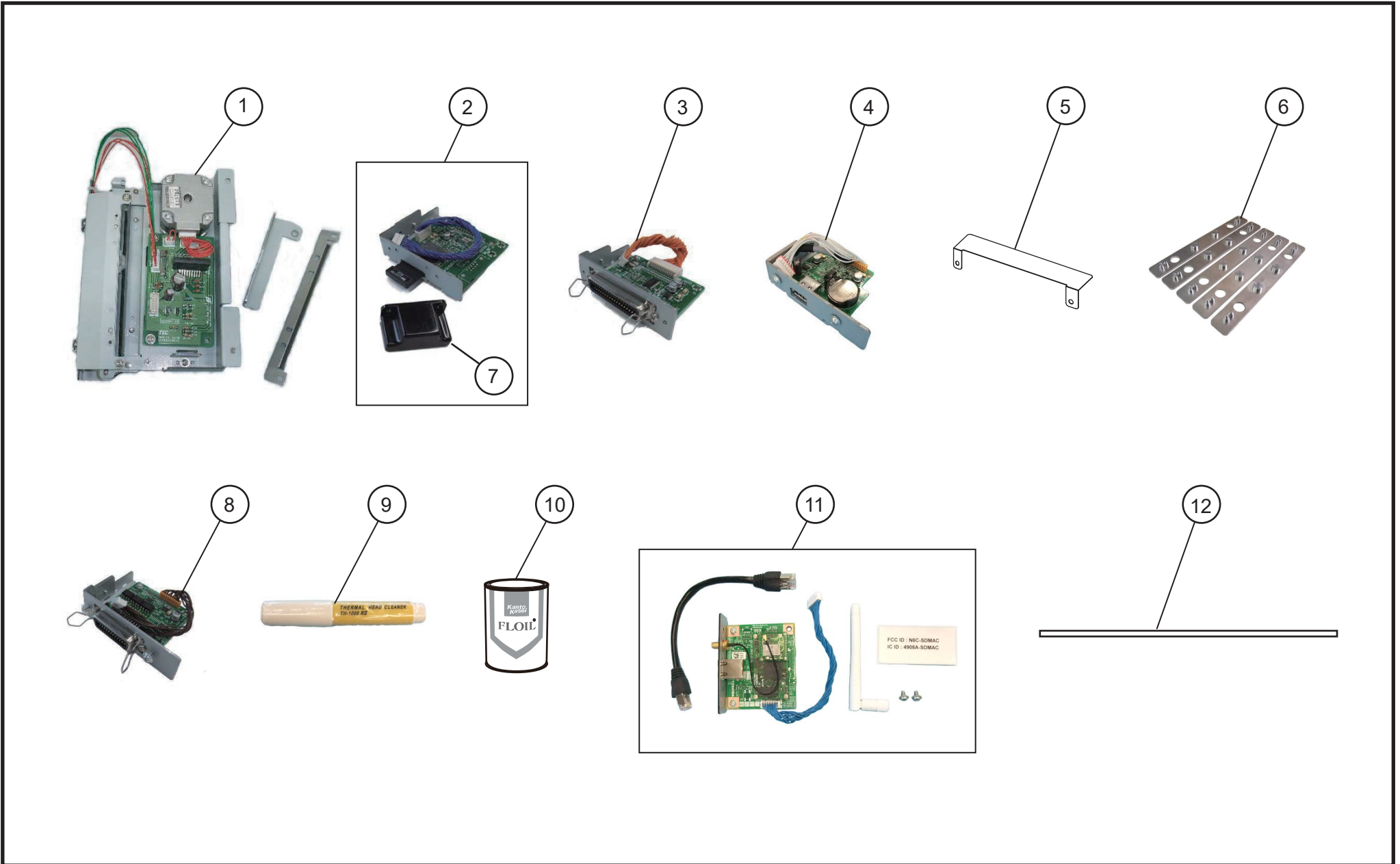
EO8-33031  
B-EX4 Series FEB., 2011  
(Revision Date: Jul., 2022)



**NOTE:** We will not supply any parts other than those listed in the parts list. If you need unpublished parts, please purchase the whole unit.



# 30. OPTIONS

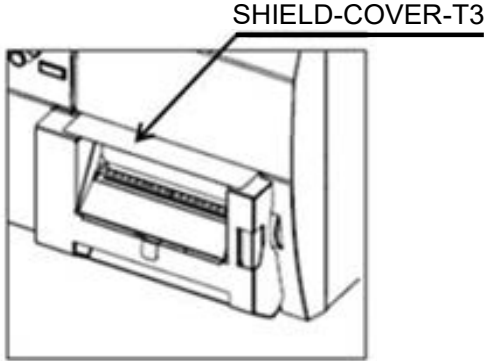


# 30. OPTIONS

E08-33031  
 B-EX4 Series FEB., 2011  
 (Revision Date: Apr., 2023)

Ref. No.	Part No.	Description	Remarks	MOQ											Recommended Parts
30-1	-----	Cutter unit (disc. type)	B-EX204-QM-R												
30-2	-----	Wireless LAN PC Board Ass'y	B-EX700-WLAN-QM-R	**											
30-3	-----	Centronics PC Board A'ssy	B-EX700-CEN-QM-R	**											
30-4	-----	UPS PC Board A'ssy	B-EX700-RTC-QM-R	**											
	-----	B-EX700-RTC-QM-R		**											
30-5	7FM06590000	SHIELD-COVER-T3	Added Sep., 2016 B-EX904-HH-QM-R	**											
30-6	7FM07187000	B-EX-HEAD-ADJUST-JIG	Added: 6/17	**											
30-7	0TSHC0079301F	EX4T1 MO WLAN COVER FRU	Added: 9/18												
30-8	-----	EXP IO PC Board A'ssy	B-EX700-IO-QM-R	**											
30-9	7KF01584000	HEAD-CLEANER-XXX	Added: 4/19	**											
30-10	W0-00916000	FLOIL HTM-308 1KG	Added: 1/20	**											
30-11	-----	ASYG-B-EX-OPTION	B-EX700-WLAN3-QM-S Added: 4/20 Deleted: 4/23 (Part No.)	**											
30-12	7FM04764000	EX700-SHIELD-BASE-RFID-US	B-EX700-RFID-U2-US-R Added: 4/22	**											

**Note:**  
 If the peel-off operation is performed while B-EX904-HH-QM-R (High Precision Peel-Off Module) is placed at the location where the lighting is too bright or the direct sunlight is received, the peel-off sensor will not work and thus labels may not be issued.  
 In such a case, slightly dim a light or attach the shield cover (SHIELD-COVER-T3) to the peel-off module as shown in the figure below.



The diagram shows a perspective view of a rectangular peel-off module. A separate, L-shaped shield cover is being positioned to fit over the top and side of the module. An arrow points from the label 'SHIELD-COVER-T3' to the cover. The module has a slot on its front face, likely for a sensor or label.