

TOSHIBA

TOSHIBA Portable Printer

B-EP4DL SERIES

Parts List

Document No. **EO8-33023Z**

Original Sep., 2008
(Revised Sep., 2021)

Minimum Order Quantity (MOQ) column has been added to this Parts List.
Please order the MOQ or the multiples of the MOQ per order .
Regarding the parts with two asterisks (**) entered in this column, over 4-month lead time may be required because a quotation of the unit price and the MOQ is requested at the receipt of order.

Toshiba Tec Corporation

TABLE OF CONTENTS

HOW TO USE THIS PARTS LIST

MECHANICAL PARTS

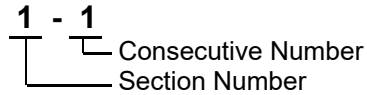
1.	COVER BLOCK (1)	-----	M1-1
2.	COVER BLOCK (2)	-----	M2-1
3.	COVER BLOCK (3)	-----	M3-1
4.	FRONT COVER ASS'Y	-----	M4-1
5.	MEDIA COVER ASS'Y	-----	M5-1
6.	PEEL-OFF ROLLER ASS'Y	-----	M6-1
7.	OTHER	-----	M7-1

CAUTION!

1. This manual may not be copied in whole or in part without prior written permission of Toshiba Tec Corporation.

HOW TO USE THIS PARTS LIST

- 1) Indication of Ref. No.



- 2) Remarks column indicates the following information:

- (1) Interchangeability of parts
- (2) Accessory
- (3) Service part
- (4) Date when the parts are added/deleted/changed
- (5) Minimum order

- 3) The columns from A through K indicate the quantity/unit for each model.
The letters A to K represent the model names which are described in the foot note.

- 4) The recommended parts column indicates the recommendation of parts stock.

	Q'ty/100 Units
Class A -----	10
Class B -----	7
Class C -----	5
Class D -----	3
Class E -----	1

- 5) Miscellaneous parts (screws, washers, etc.) shall be ordered in minimum lots of 100.
- 6) As a rule, parts not listed in this parts list cannot be ordered and we will not be responsible for problems concerning these parts.
- 7) The illustrations are provided by PDF files and attached to the list of each section. To refer to the illustrations, double-click on the PDF file icons.

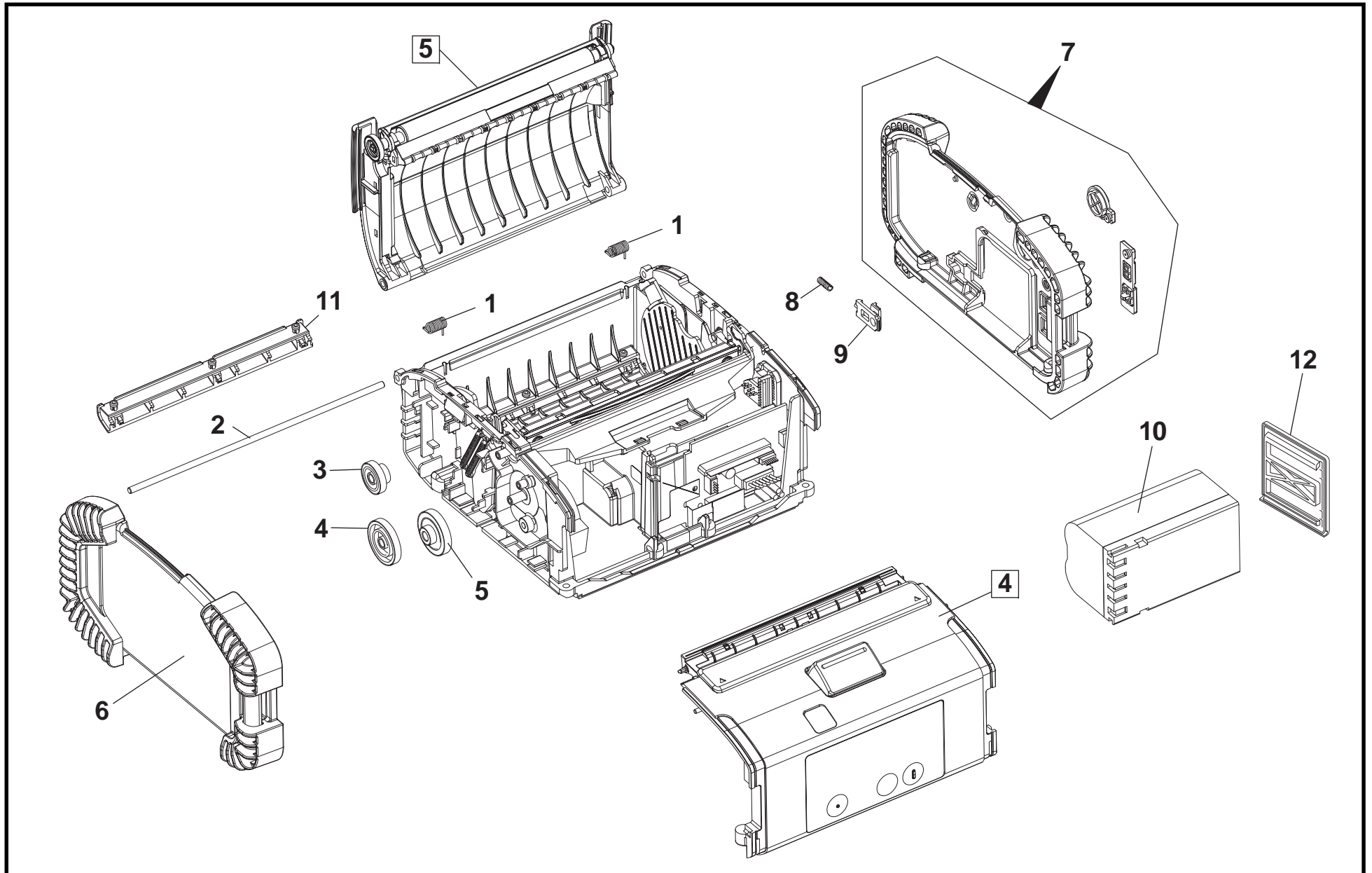
NOTES

1. *Parts with no Ref. No. and quantity are interchangeable parts.*
2. *The parts shown in this list may be modified by Toshiba Tec together with issuing the parts information, if necessary.*
3. *The illustrations in this parts list are provided for reference and may be different from the actual parts in shape.*
4. *For the underlined assembly parts, the components are available separately.*
5. *"-----" in the Part No. cell in place of a part number means that the part is an optional equipment and should be ordered from the Sales Department.*

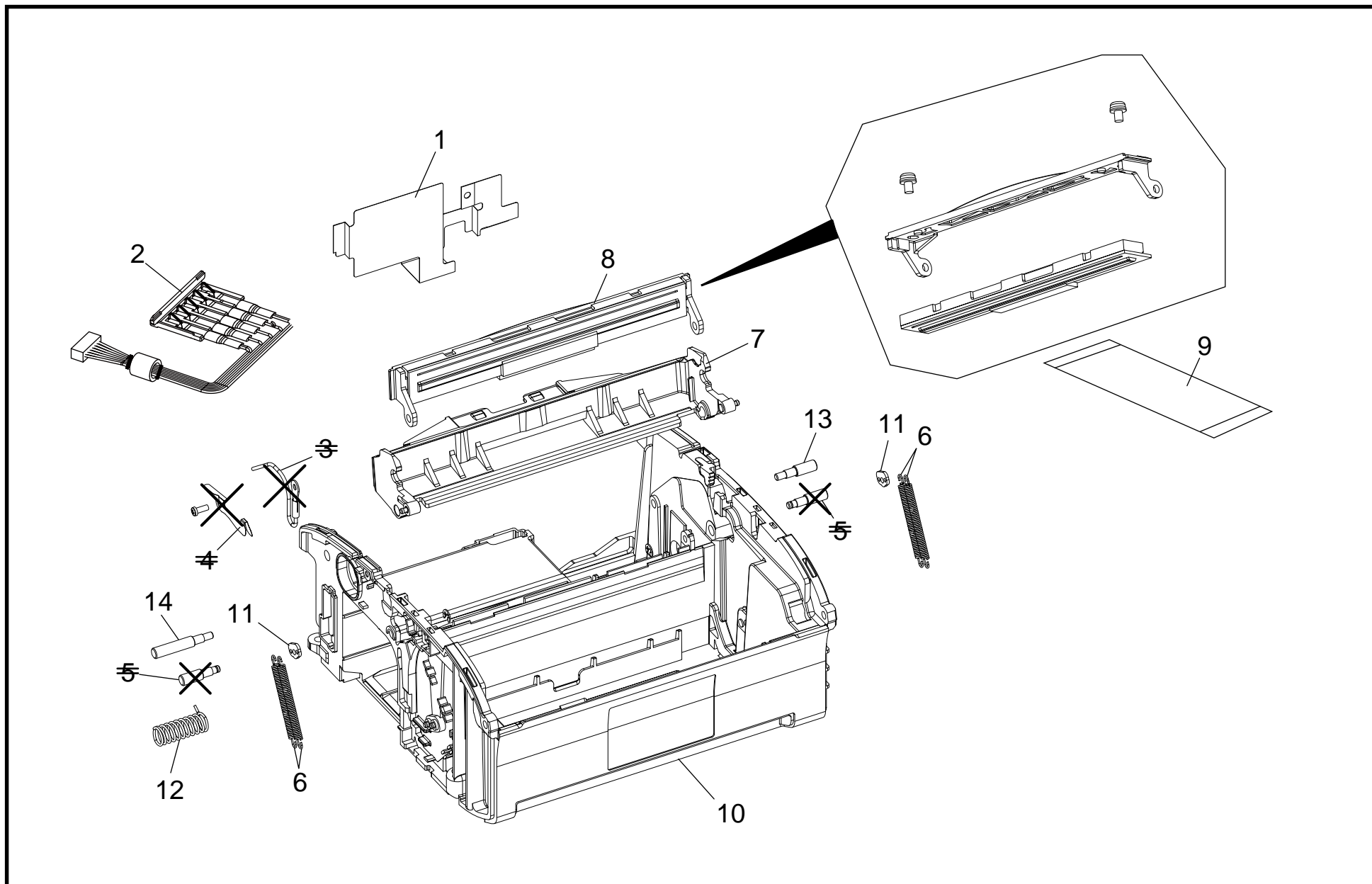
MECHANICAL PARTS

EO8-33023D
B-EP4DL SERIES SEP, 2008
(Revision Date: Nov., 2013)

1 COVER BLOCK (1)



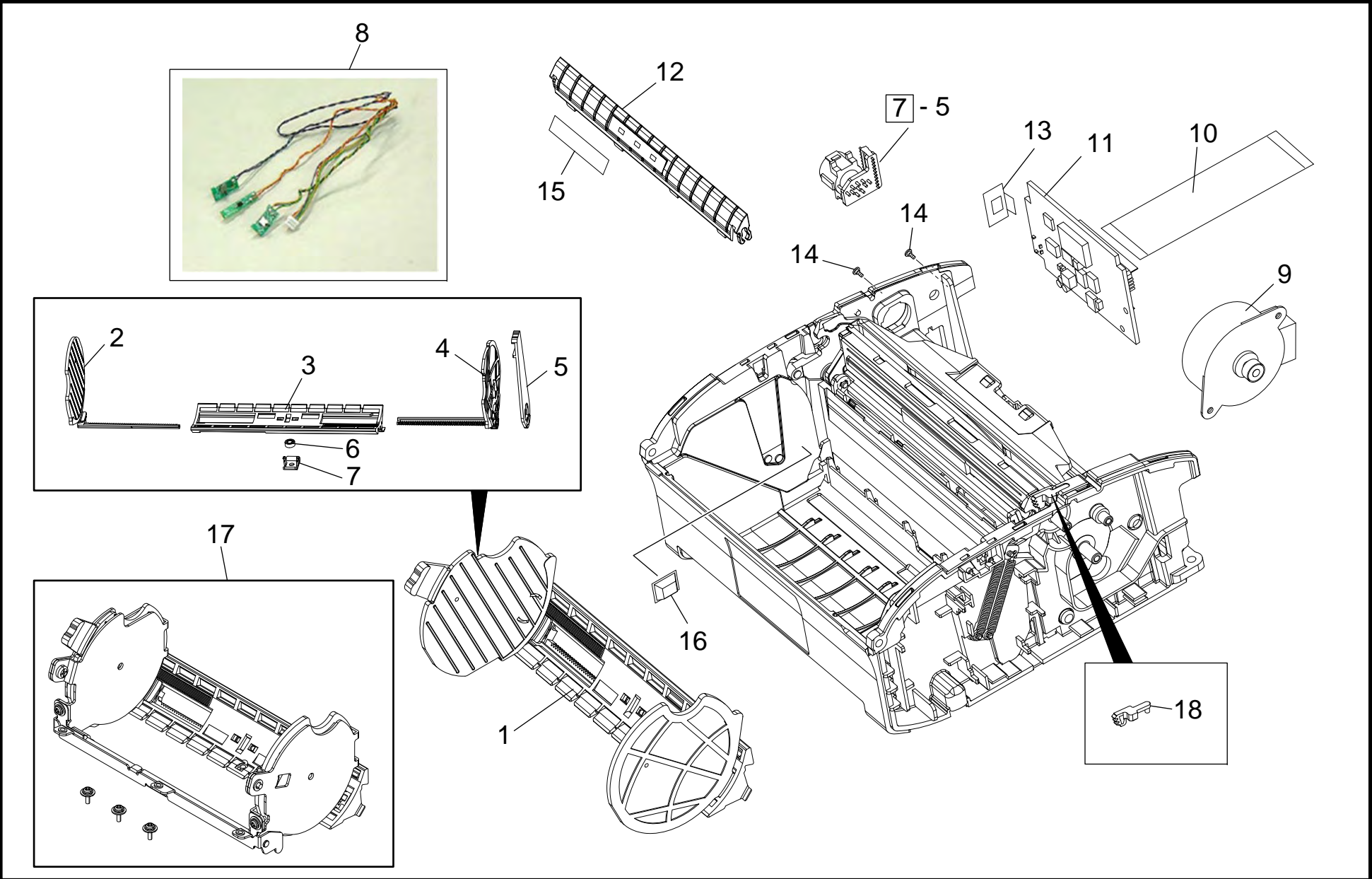
2 COVER BLOCK (2)

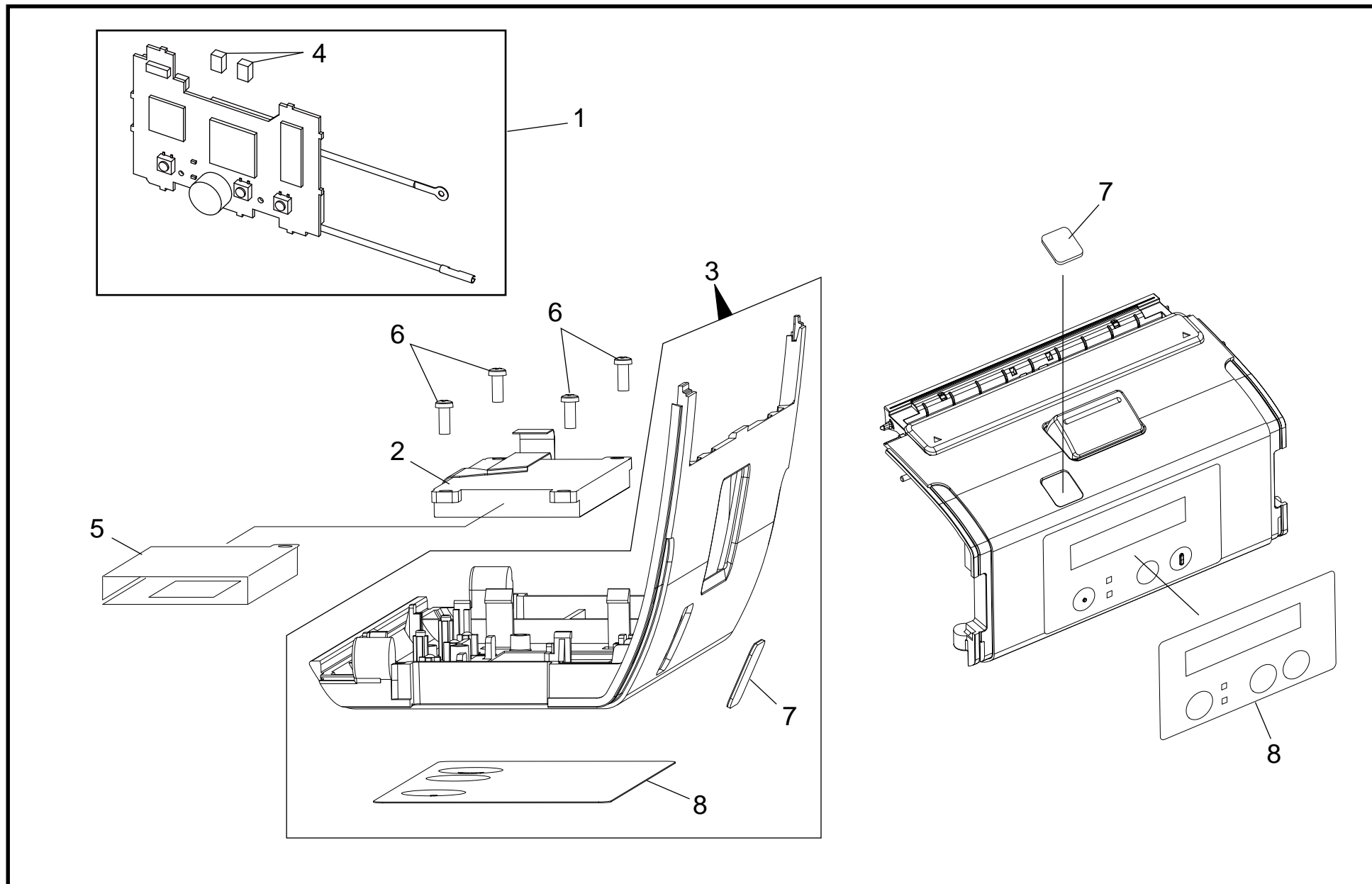


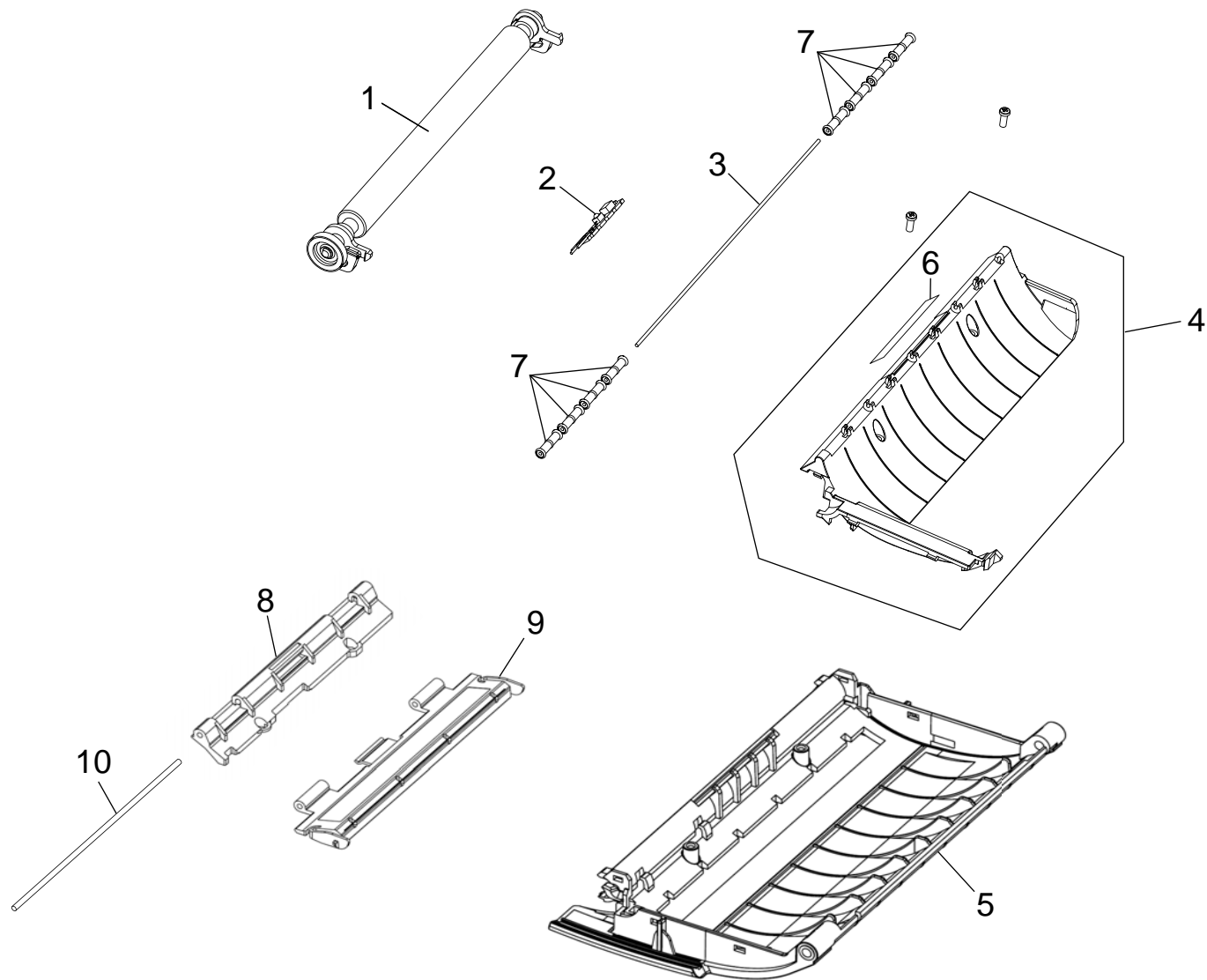
2. COVER BLOCK (2)

Ref. No.	Part No.	Description	Remarks	MOQ	A	B	C	D	E	F	G	Recommended Parts
2-1	7FM03720000	EP4D Shield Sheet		1	1	1	1	1	1			
2-2	7FM03627000	EP4D Battery Terminal (with Harness)		1	1	1	1	4	0	0		E
	0TSCB0143303F	BATTERY TERMINAL-AK FRU (ROHS)	Changed: 5/14									
	7FM03627100	BATTERY-TERMINAL-AK-EP4D	Changed: 11/19	0	0	0	0	1	1			
2-3	7FM03724000	EP4D Earth Cable	Deleted: 2/09									
2-4	7FM03678000	Earth Plate	Deleted: 2/09									
2-5	7FM03722000	EP4D Head Shaft It was changed to Ref.No.2-13,Ref.No.2-14.	Changed: 1/15	4	2	2	2	0	2			
2-6	7FM03723000	EP4D Lock Arm Spring										
		EP2D Lock Arm Spring	Corrected: 2/09									
	7FM03679000	EP2D/EP4D Lock Arm Spring	Changed: 4/13	1	4	4	4	0	4			
	0TSKB0040001F	SPG ARM LOCK EP4D F FRU (ROHS)	Added: 1/13	35	0	0	0	4	0			
2-7	7FM03724000	EP4D Lock Arm Ass'y		1	1	1	1	4	0	1		
	0TSCC0120103F	ARM LOCK EP4D AK FRU (ROHS)	Changed: 5/14	0	0	0	0	1	0			
2-8	7FM03639000	EP4D Print Head Ass'y 203DPI		1	1	1	1	4	0	1		A
	0TSBC0074305F	HEAD BRKT EP4D BK FRU (ROHS)	Changed: 5/14	0	0	0	0	1	0			
2-9	7FM03635000	EP4D Head FPC Cable (with folds)	Revived: 7/20	1	1	1	1	0	1			E
	7FM03635100	EP4D Head FPC Cable (with folds) Add Black Tape	Changed: 1/15 for JP model	-	-	-	-	-	-			
	0TSCB0202002F	PLEIADES HEAD FFC 4INCH FRU (ROHS)	Changed: 10/14									
	0TSCB0202003F	PLEIADES HEAD FPC 4INCH FRU (ROHS)	Changed: 1/15 for FedEx model	1	0	0	0	1	0			
2-10	7FM04192000	EP4D Body Ass'y	Added: 2/09	1	1	1	1	4	0	1		
	0TSCB0204803F	ASYS-BODY-EP4D FRU (ROHS)	Changed: 5/14	1	0	0	0	1	0			
2-11	7FM03723000	EP4D Spring Attach Plate	Added: 2/09	1	1	1	1	1	1			
2-12	0TSKB0045501F	SPG BATTERY EP4D A FRU (ROHS)	Added: 12/13	1	1	1	1	1	1			
2-13	0TSDC0052101F	SHAFT HEAD R EP4D FRU (ROHS)	Added: 4/14	1	0	0	0	1	0			
2-14	0TSDC0052001F	SHAFT HEAD L EP4D FRU (ROHS)	Added: 4/14	1	0	0	0	1	0			

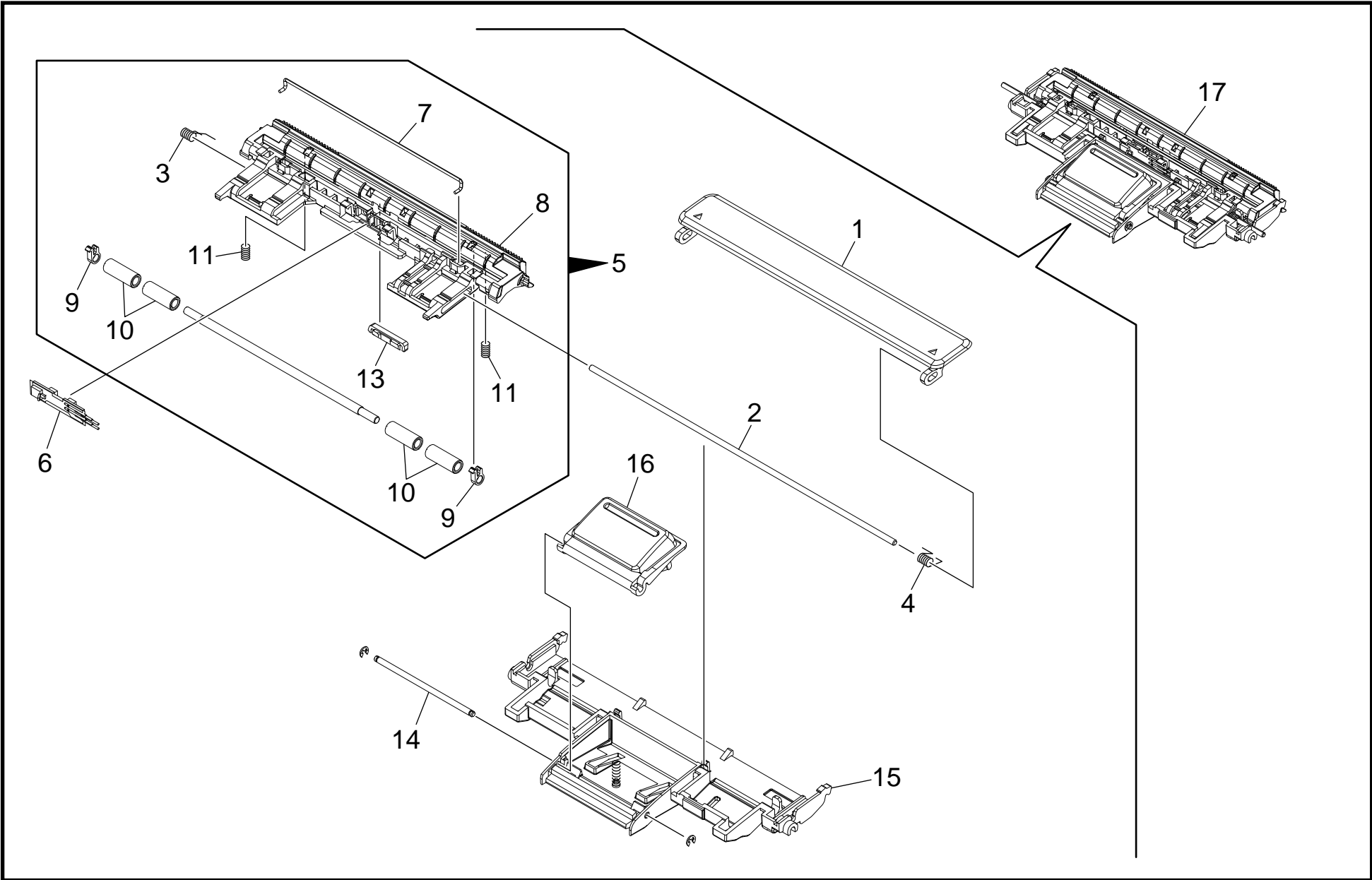
3 COVER BLOCK (3)







6 PEEL-OFF ROLLER ASS'Y

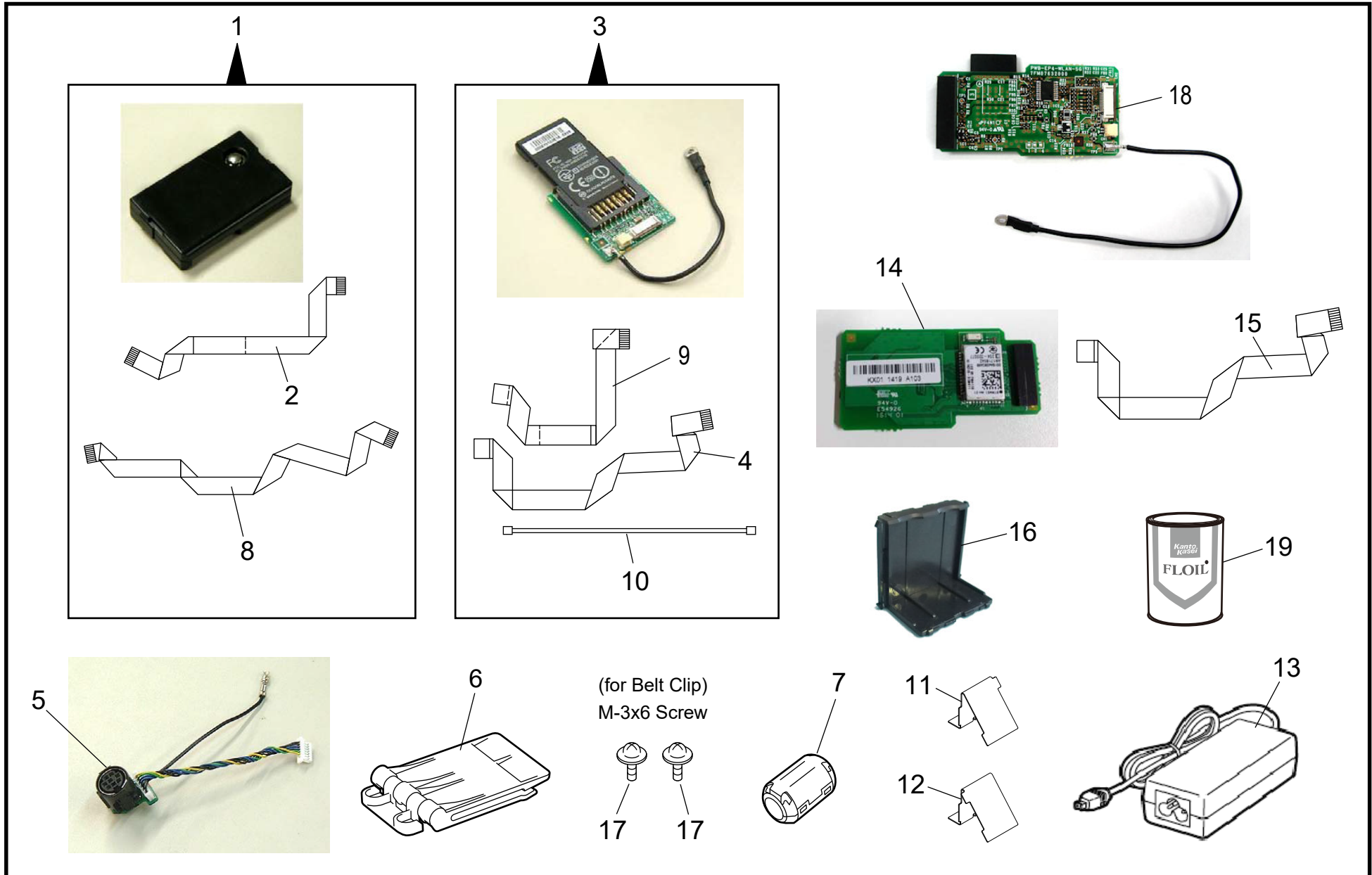


6. PEEL OFF ROLLER ASS'Y

E08-33023
B-EP4DL SERIES APR., 2013
(Revision Date: Nov., 2019)

Ref. No.	Part No.	Description	Remarks	MOQ	A	B	C	D	E	F	G	Recommended Parts
6-1	7FM03734000	EP4D Peel-off Sensor Cover		1	1	1	1	1	0	1		
	0TSHD0030811F	PLATE MARK EP4D FRU (ROHS)	Changed: 5/14									
	0TSHD0030812F	PLATE MARK EP4D FRU (ROHS)	Changed: 1/15	1	0	0	0	1	0			
6-2	7FM03735000	EP4D Cover Shaft		1	1	1	1	1	1			
6-3	7FM03695000	EP4D Peel-off Lever Spring L		1	1	1	1	1	1			
		EP2D/EP4D Peel-off Lever Spring L	Changed: 4/13									
6-4	7FM03696000	EP4D Peel-off Lever Spring R		1	1	1	1	1	1			
		EP2D/EP4D Peel-off Lever Spring R	Changed: 4/13									
6-5	7FM03736000	EP4D Peel-off Lever Ass'y		1	1	1	1	1	0	1		
	0TSCB0203003F	ASYB-LEVER-STRIP-RLR-EP4D FRU (ROHS)	Added: 1/15	1	0	0	0	1	0			
6-6	7FM03633000	EP4D Peel-off Sensor (with Harness)		1	1	1	1	1	1			B
6-7	7FM03737000	EP4D Mark Spring		1	1	1	1	1	1			
6-8	7FM03738000	EP4D Peel-off Lever		1	1	1	1	1	0	1		
	0TSCC0303501F	ASYS-LEVER-STRIP-EP4D-F FRU (ROHS)	Added: 1/15	1	0	0	0	1	0			
6-9	7FM03700000	EP4D Roller Clip										
		EP2D/EP4D Roller Clip	Changed: 4/13									
	00TSHC0057402	CLIP STRIP RLR EP2D	Changed: 6/15									
	0TSHC0057402F	CLIP STRIP RLR EP2D FRU (ROHS)	Corrected: 11/15									
	7FM03700000	EP2D/EP4D Roller Clip	Changed: 12/18	1	2	2	2	2	2			
6-10	7FM03701000	EP4D Peel-off Roller		1	2	2	2	2	2			
		EP2D/EP4D Peel-off Roller	Changed: 4/13									
6-11	7FM03702000	EP4D Roller Spring										
		EP2D/EP4D Roller Spring	Changed: 4/13									
	7FM06562000	SPG-STRIP-RLR-EP4D-ST2	Changed: 9/14	1	4	4	4	4	4			
6-12	7FM03717000	EP4D Roller Shaft		1	1	1	1	1	1			
6-13	7FM03704000	EP4D Sensor Prism		1	1	1	1	1	1			
		EP2D/EP4D Sensor Prism	Changed: 4/13									
6-14	7FM03718000	EP4D BTN Shaft		1	1	1	1	1	1			
6-15	7FM03707000	EP4D Lever Base Ass'y										
	00TSHD0030404	BASE LEVER EP4D	Changed: 6/15									
	0TSHD0030404F	BASE LEVER EP4D FRU (ROHS)	Corrected: 11/15	1	1	1	1	1	1			
6-16	7FM03740000	EP4D Top Cover Open Button		1	1	1	1	1	0	1		
	0TSHC0101202F	BTN OPEN EP4D LOW FRU (ROHS)	Changed: 5/14	1	0	0	0	1	0			
6-17	00TSBC0074705	LEVER STRIP EP4D-BK	Added: 6/15									
	0TSBC0074705F	LEVER STRIP EP4D BK (ROHS)	Corrected: 11/15	1	0	0	0	1	0			

7 OTHER



7. OTHER

Ref. No.	Part No.	Description	Remarks	MOQ	A	B	C	D	E	F	G	Recommended Parts
7-1	-----	Bluetooth Module (B-EP700-BLTH-QM-R)			0	4 0	0	4 0	0			
7-2	7FM03747000	EP4D BT FPC Cable (with folds)										
		EP2D/EP4D BT FPC Cable (with folds)	Changed: 4/13									
	7FM03746000	EP2D BT FPC Cable (with folds) (for B-EP2DL)	Changed: 8/15	**	0	1	0	1	0			
7-3	-----	Wireless LAN Board (B-EP700-WLAN-QM-R)			0	0	1	0	0			
7-4	7FM03749000	EP4D WL FPC Cable (with folds)										
	7FM03748100	EP4D WL FPC Cable (with folds)	Changed 9/08	1	0	0	1	0	1			
		EP2D/EP4D WL FPC Cable (with folds)	Changed: 4/13									
7-5	7FM03624000	EP4D RS232C Ass'y										
	7FM03624100	PLEIADES-RS232-AK-EP4D	Changed: 2/19	**	1	0	0	0	0			
7-6	7FM03709000	Belt Clip		1	1	1	1	1	1			
7-7	7FM04196000	Ferrite Core	listed 12/12	20	1	1	1	1	1			
7-8	7FM03746000	EP2D BT FPC Cable (with folds)										
		EP2D/EP4D BT FPC Cable (with folds)	Changed: 4/13									
	7FM03747000	EP4D BT FPC Cable (with folds) (for B-EP4DL)	Changed: 8/15	1	0	0	0	0	0			
7-9	7FM03748000	EP2D WL FPC Cable (with folds)		1	0	0	0	0	0			
		EP2D/EP4D WL FPC Cable (with folds)	Changed: 4/13									
7-10	7FM03759000	SDIO-Power Cable	Added 9/08									
	7FM03759100		Corrected: 2/20	100	0	0	1	0	1			
7-11	0TSEB0038102F	PLATE GUIDE SUPPORT R *1	Added 8/13	1	-	-	-	-	-			
7-12	0TSEB0038002F	PLATE GUIDE SUPPORT L *1	Added 8/13	1	-	-	-	-	-			
		*1. : Special parts for TOYOTA										
7-13	0G0-00715000F	AC adapter FSP150-ABAN1 (K34001-CCC) FRU (ROHS)	B-EP800-CHG6-QM-R Changed: 11/14	1	-	-	-	-	-			
	0G0-00743000F	AC adapter FSP150-ABAN1 (K34001-EAC) FRU (ROHS)	B-EP800-CHG6-QMR Except USA Added 4/16									
	0G0-00760000F	ASYB-FSP150-ABAN2 (NOTE:3) (NOTE:4)	B-EP800-CHG6-QMR Exclusive use for USA Changed: 2/21	1	-	-	-	-	-			
	7FM07703000		Changed: 2/20									
	0G0-00714000F	AC adapter FSP065-RAB (K34001-CCC) FRU (ROHS)	B-EP800-CHG-QM-R Except USA Added 4/16	1	-	-	-	-	-			
	0G0-00759000F	ASYB-FSP065-REBN2 (NOTE:3) (NOTE:4)	B-EP800-CHG-QM-R B-EP800-AC-QM-R Exclusive use for USA Changed: 2/21	1	-	-	-	-	-			
	7FM07702000		Changed: 2/20									
	G0-00759000		Changed: 3/20									
	7FM07999000	ASYB-FSP065-RBBN3 (NOTE:5)	Added 2/21 B-EP800-CHG-QM-R	1	-	-	-	-	-			
	7FM07694000	ASYB-FSP150-ABAN3 (NOTE:5)	Added 2/21 B-EP800-CHG6-QM-R	1	-	-	-	-	-			

7. OTHER

Ref. No.	Part No.	Description	Remarks	MOQ	A	B	C	D	E	F	G	Recommended Parts
7-14	----- 7FM06930100	Bluetooth 2.1 Module (B-EP700-BLT2-QM-R) Bluetooth 2.1 Module BTM411-01-AK-EP4D (B-EP700-BLT2-QM-R) (NOTE:1)	Added 8/14 Changed: 1/16 *B-EP704-BLT2-QM-R, *B-EP4DL-GH32-QM-R	1	0	1	0	0	0			
	7FM06931100	Bluetooth 2.1 Module BTM411-02-AK-4DQMJP (NOTE:2)	Added 1/16 B-EP4DL-GH32-QM-R(N), B-EP4DL-GH32-QM-R(AD) B-EP4DL-GH32-QM-R(AI, B-EP4DL-TH32-R, B-EP4DL-TH32-R(A)	1	-	-	-	-	-			
	7FM06931300	Bluetooth 2.1 Module BTM411-02-AK-4DTKC (NOTE:2)	Added 1/16 B-EP4DL-GH32-QM-R(NC, B-EP4DL-GH32-QM-R(AC, B-EP4DL-GH32-CN-N-R	1	-	-	-	-	-			
7-15	0TSQB0097009F 7FM06964000	EP4D NEW BT FPC Cable (with folds) PLEIADES-FFC-BT2-EP4D	for B-EP4DL-GH32/TH32 series	1	-	-	-	-	-			
7-16	0TSHB0015301F	EP800-BACK PANEL FRU (ROHS)	Added 9/16	1	-	-	-	-	-			
7-17	X0-00060000	S/PAN/SWWP-M3x6-NI	Added: 12/18	1	-	-	-	-	-			
7-18	7FM07712000	WLAN2-MODULE-BK-EP4D	Added: 11/19	1	0	0	0	0	1			
7-19	W0-00916000	FLOIL HTM-308 1KG	Added:1/20	**	-	-	-	-	-			
<p>NOTE:1 It is possible to order option parts, which are listed in this Parts List, as service parts. If you purchase the other option parts, please contact the Sales Dept. of TOSHIBA TEC.</p> <p>NOTE:2 *B-EP704-BLT2-QM-R (# BTM411-TT-01) is not supported pairing in Non security.</p> <p>NOTE:3 *The "B-EP800-CHG/CHG6" AC adapter corresponds to the US DOE level VI standard. This one is exclusively for the United States, however it will be applied for all the destinations after the stock of the conventional AC adapter runs out.</p> <p>NOTE:4 Shipping to the following countries and regions regulated by IEC60950 is possible. USA, Brazil, Bangladesh, Indonesia, Malaysia, Singapore, Thailand, Turkey, Vietnam, Korea, Hong Kong, Canada, Russia, UAE, Australia, New Zealand, Taiwan, India, South Africa, China (as of Dec., 2020) * Shipping to the countries and regions regulated by IEC62368 are impossible.</p> <p>NOTE:5 Using and shipping to the following countries and regions regulated by IEC62368 are possible. EU, EFTA, Morocco, Mexico (Direct shipment) (as of Dec., 2020) * Using and shipping to the countries and regions regulated by both IEC62368 and IEC60950 are possible.</p>												